



SINK BOWLS & ACCESSORIES2-20



EQUIPMENT LEGS, FEET & TUBE INSERTS21-45



CABINET & DRAWER HARDWARE46-73



COMMERCIAL KITCHEN HARDWARE 74-94



CASTORS 95-101



PLUMBING PRODUCTS & TAPWARE 102-121



LIGHTING PRODUCTS..... 122-134



ADHESIVES SILICONES AND SEALANTS 135-147



FASTENERS 148-157



TOOLS & ACCESSORIES 158-159

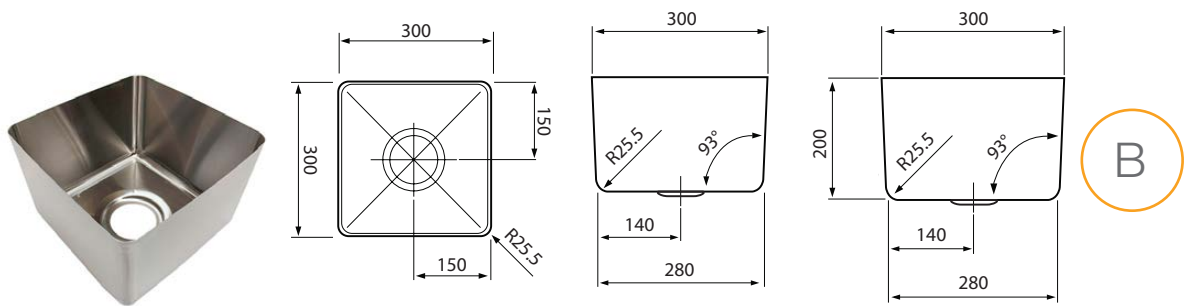
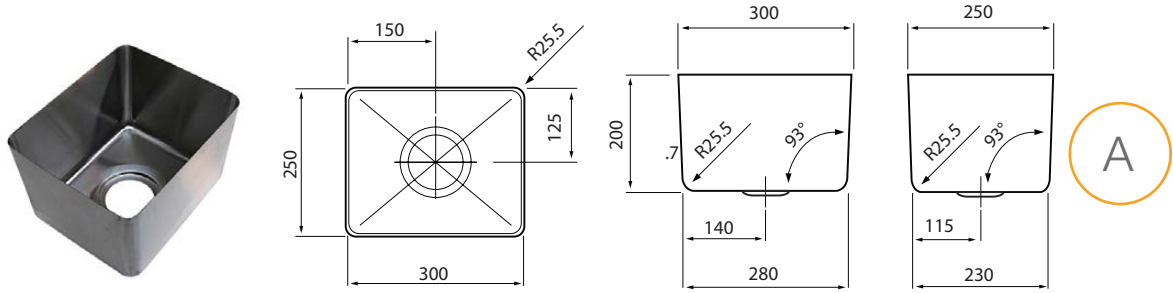


SHELVING & SHELF BRACKETS 160-180



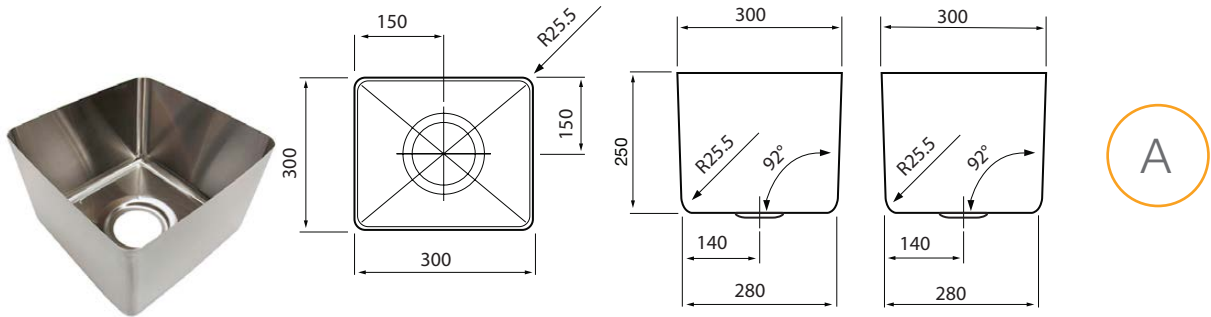
SINK BOWLS & ACCESSORIES

CRH Series Fabricated Bowls

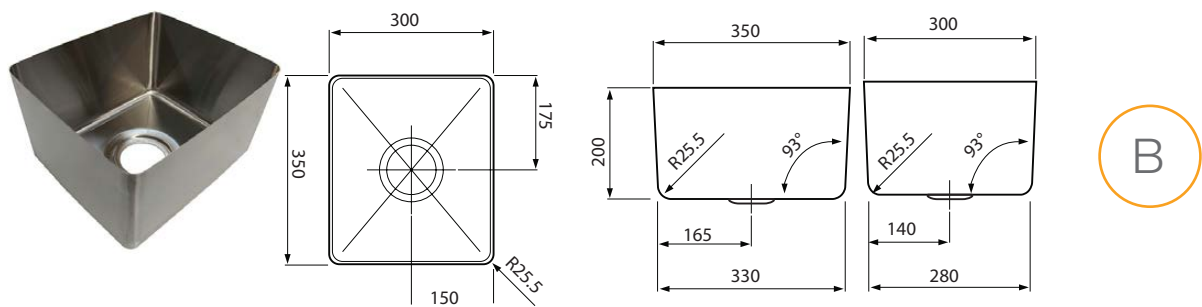


	Code	Description
A	SBF302520C	Fabricated bowl. Size: 300mm x 250mm x 200mm Centre Punched 90mm Waste Constructed from 1.2mm 304 grade stainless steel. Polished finished no.4. Custom sizes manufactured on request.
B	SBF303020C	Fabricated bowl. Size: 300mm x 300mm x 200mm Centre Punched 90mm Waste Constructed from 1.2mm 304 grade stainless steel. Polished finished no.4. Custom sizes manufactured on request.

Plug & waste sold separately



A



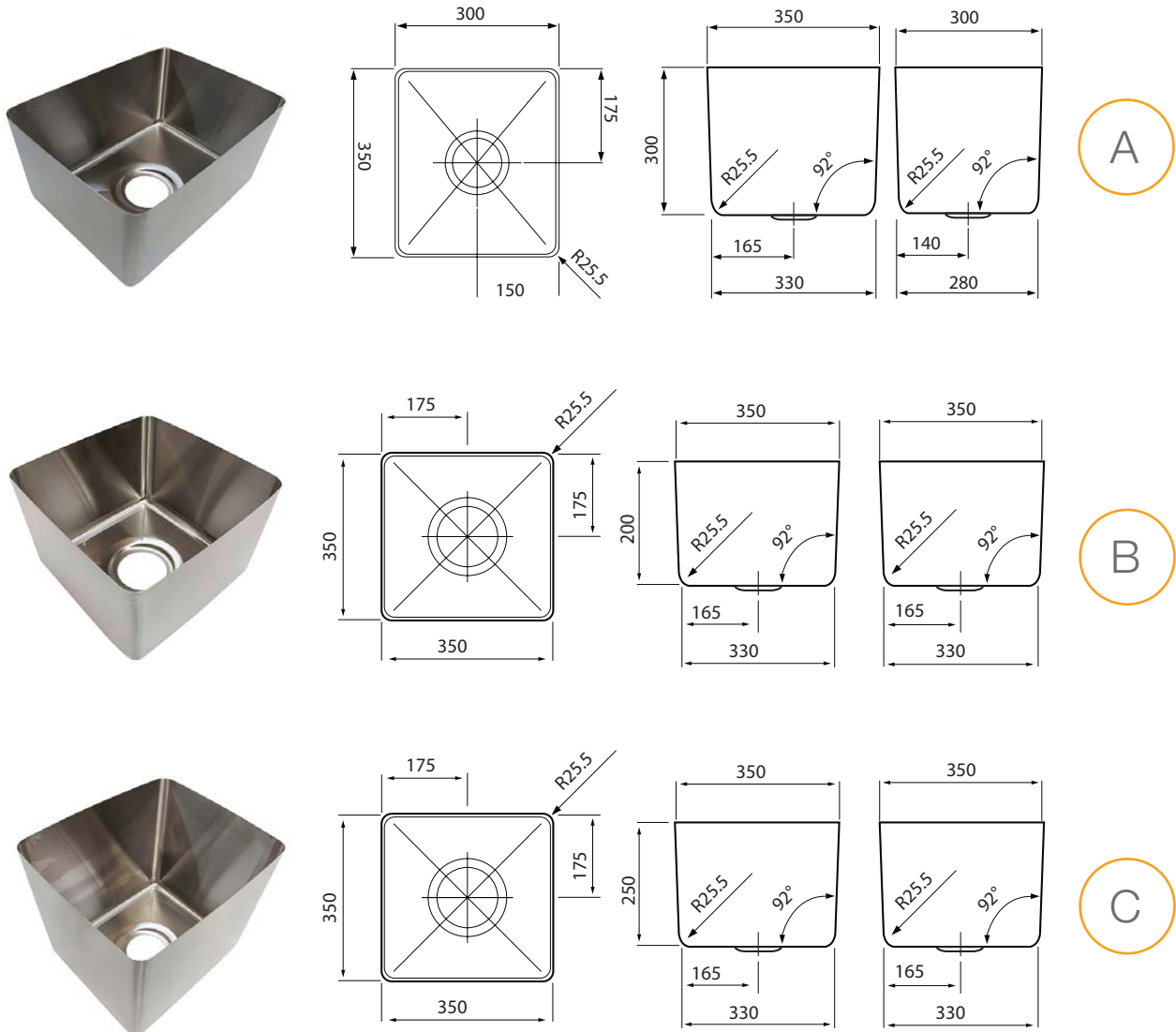
B

	Code	Description
A	SBF303025C	Fabricated bowl. Size: 300mm x 300mm x 250mm Centre Punched 90mm Waste Constructed from 1.2mm 304 grade stainless steel. Polished finished no.4. Custom sizes manufactured on request.
B	SBF353020C	Fabricated bowl. Size: 350mm x 300mm x 200mm Centre Punched 90mm Waste Constructed from 1.2mm 304 grade stainless steel. Polished finished no.4. Custom sizes manufactured on request.

Plug & waste sold separately

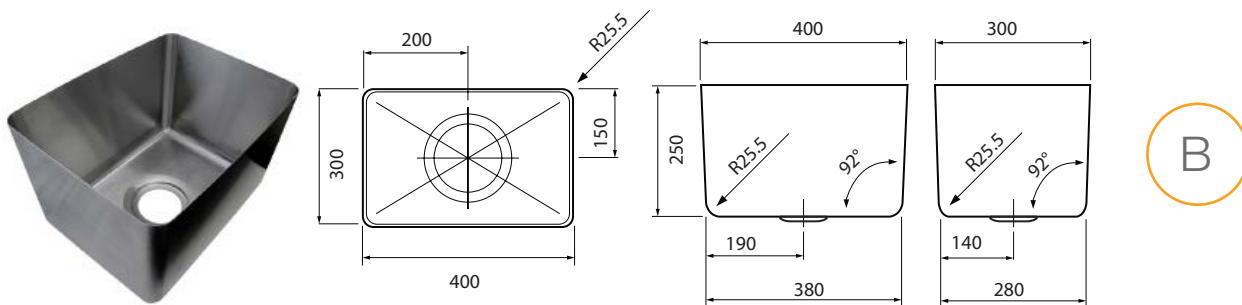
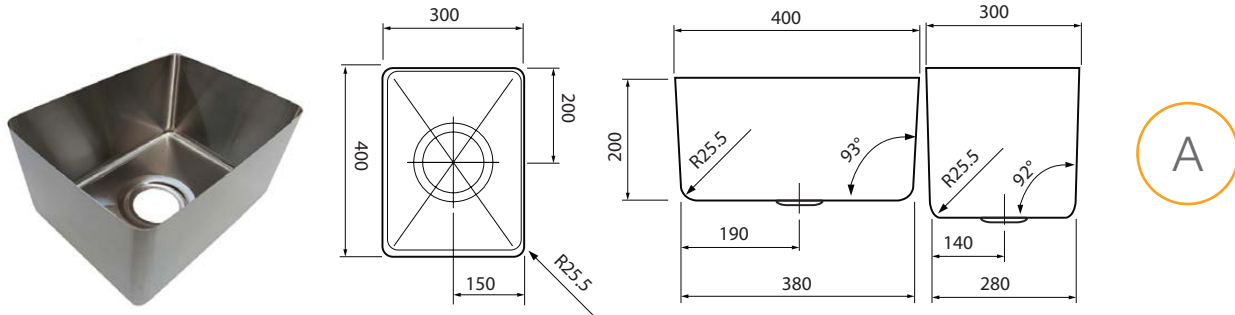
SINK BOWLS & ACCESSORIES

CRH Series Fabricated Bowls



Code	Description
A SBF353030C	Fabricated bowl. Size: 350mm x 300mm x 300mm Centre Punched 90mm Waste Constructed from 1.2mm 304 grade stainless steel. Polished finished no.4. Custom sizes manufactured on request.
B SBF353520C	Fabricated bowl. Size: 350mm x 350mm x 200mm Centre Punched 90mm Waste Constructed from 1.2mm 304 grade stainless steel. Polished finished no.4. Custom sizes manufactured on request.
C SBF353525C	Fabricated bowl. Size: 350mm x 350mm x 250mm Centre Punched 90mm Waste Constructed from 1.2mm 304 grade stainless steel. Polished finished no.4. Custom sizes manufactured on request.

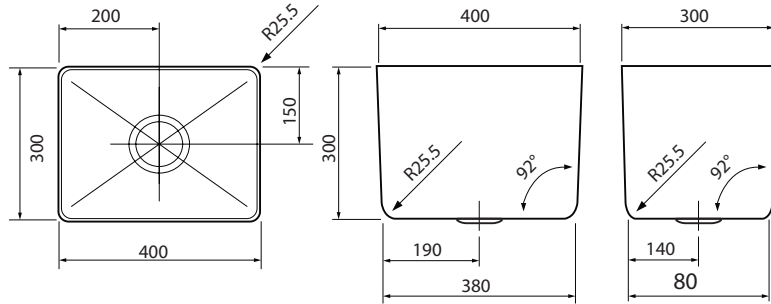
Plug & waste sold separately



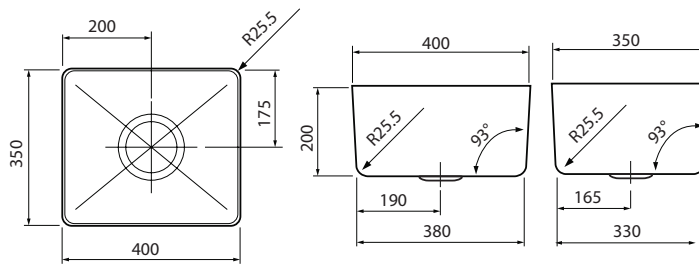
	Code	Description
A	SBF403020C	Fabricated bowl. Size: 400mm x 300mm x 200mm Centre Punched 90mm Waste Constructed from 1.2mm 304 grade stainless steel. Polished finished no.4. Custom sizes manufactured on request.
B	SBF403025C	Fabricated bowl. Size: 400mm x 300mm x 250mm Centre Punched 90mm Waste Constructed from 1.2mm 304 grade stainless steel. Polished finished no.4. Custom sizes manufactured on request.

Plug & waste sold separately

SINK BOWLS & ACCESSORIES
CRH Series Fabricated Bowls



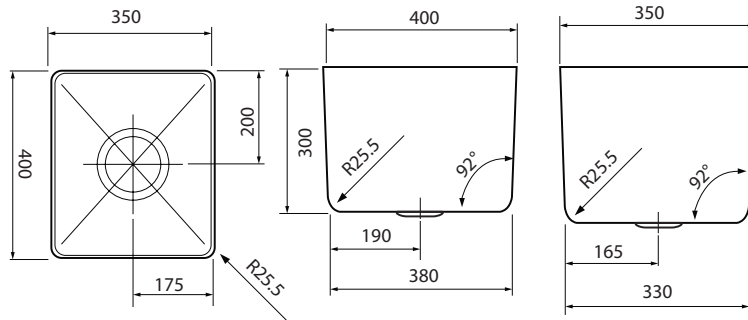
A



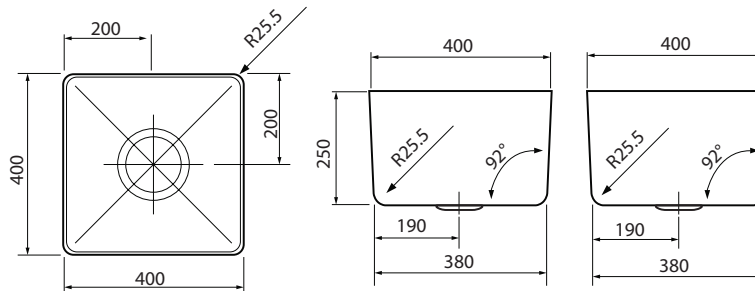
B

	Code	Description
A	SBF403030C	Fabricated bowl. Size: 400mm x 300mm x 300mm Centre Punched 90mm Waste Constructed from 1.2mm 304 grade stainless steel. Polished finished no.4. Custom sizes manufactured on request.
B	SBF403520C	Fabricated bowl. Size: 400mm x 350mm x 200mm Centre Punched 90mm Waste Constructed from 1.2mm 304 grade stainless steel. Polished finished no.4. Custom sizes manufactured on request.

Plug & waste sold separately



A



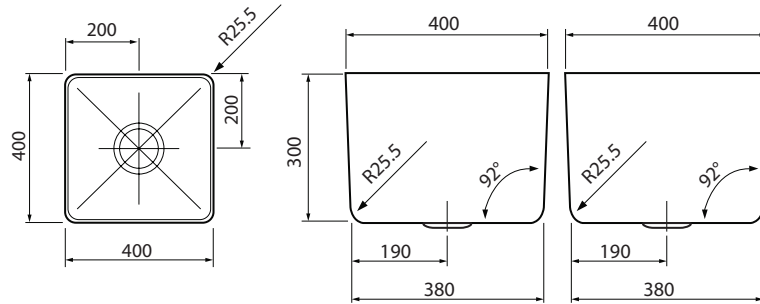
B

	Code	Description
A	SBF403530C	Fabricated bowl. Size: 400mm x 350mm x 300mm Centre Punched 90mm Waste Constructed from 1.2mm 304 grade stainless steel. Polished finished no.4. Custom sizes manufactured on request.
B	SBF404025C	Fabricated bowl. Size: 400mm x 400mm x 250mm Centre Punched 90mm Waste Constructed from 1.2mm 304 grade stainless steel. Polished finished no.4. Custom sizes manufactured on request.

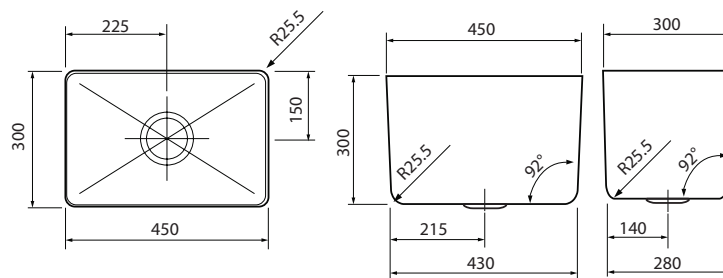
Plug & waste sold separately

SINK BOWLS & ACCESSORIES

CRH Series Fabricated Bowls



A



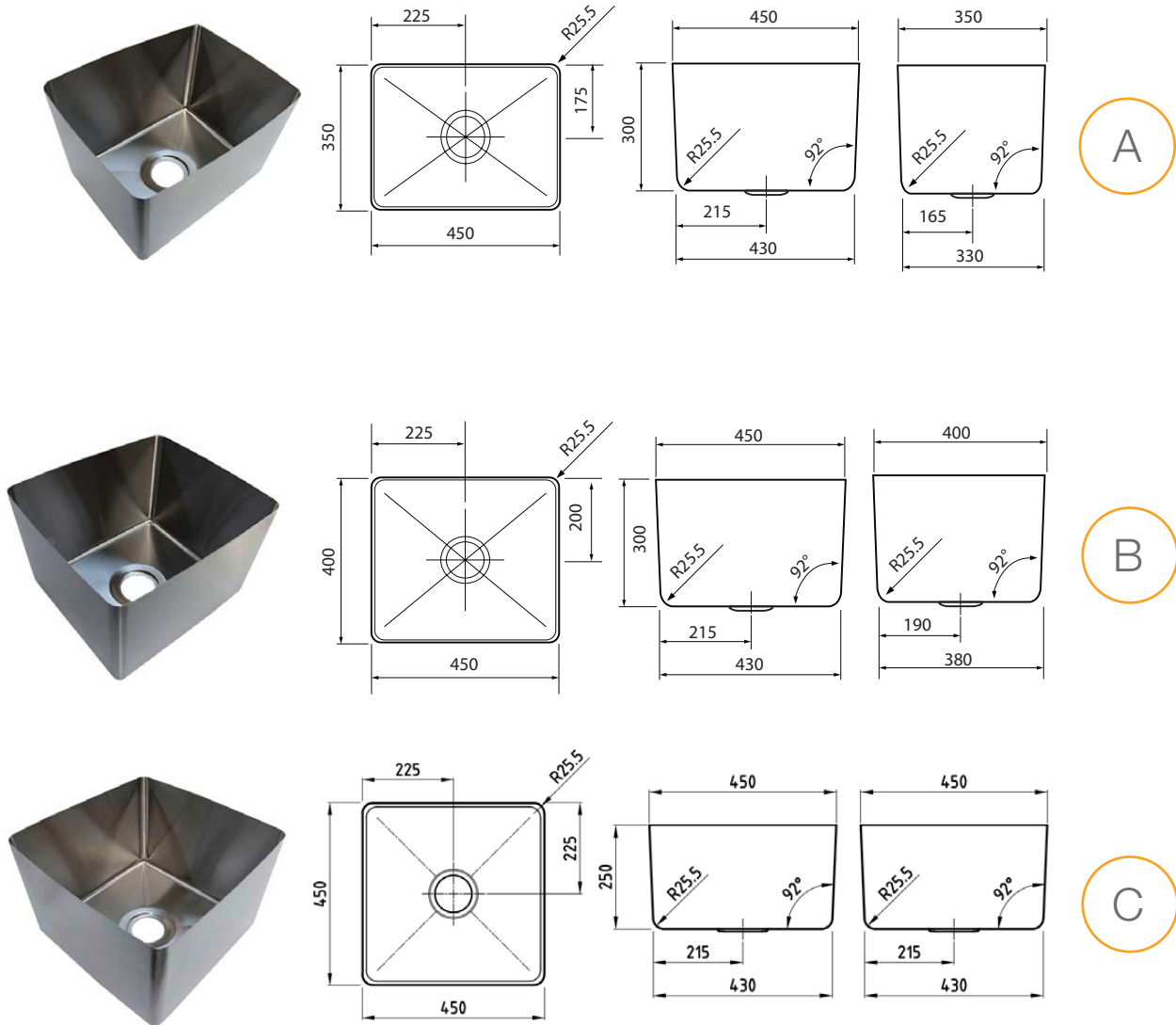
B

	Code	Description
A	SBF404030C	Fabricated bowl. Size: 400mm x 400mm x 300mm Centre Punched 90mm Waste Constructed from 1.2mm 304 grade stainless steel. Polished finished no.4. Custom sizes manufactured on request.
B	SBF453030C	Fabricated bowl. Size: 450mm x 300mm x 300mm Centre Punched 90mm Waste Constructed from 1.2mm 304 grade stainless steel. Polished finished no.4. Custom sizes manufactured on request.

Plug & waste sold separately

SINK BOWLS & ACCESSORIES

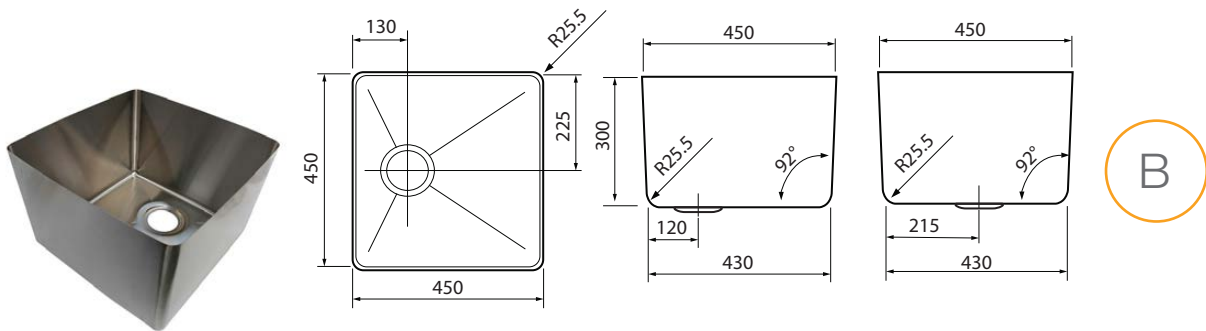
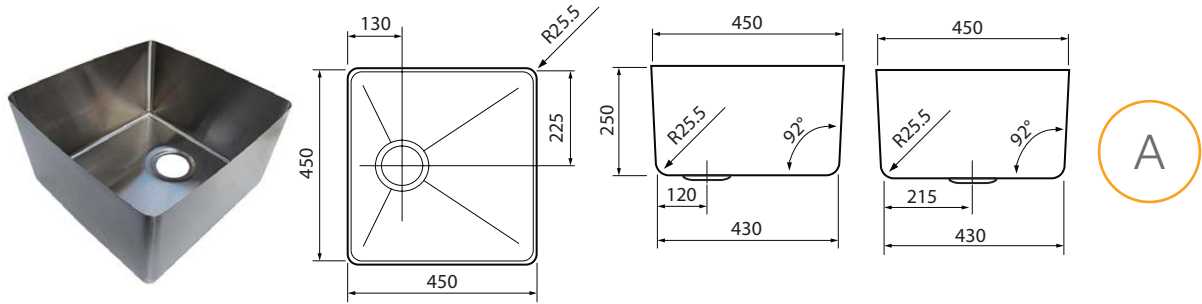
CRH Series Fabricated Bowls



	Code	Description
A	SBF453530C	Fabricated bowl. Size: 450mm x 350mm x 300mm Centre Punched 90mm Waste Constructed from 1.2mm 304 grade stainless steel. Polished finished no.4. Custom sizes manufactured on request.
B	SBF454030C	Fabricated bowl. Size: 450mm x 400mm x 300mm Centre Punched 90mm Waste Constructed from 1.2mm 304 grade stainless steel. Polished finished no.4. Custom sizes manufactured on request.
C	SBF454525C	Fabricated bowl. Size: 450mm x 450mm x 250mm Centre Punched 90mm Waste Constructed from 1.2mm 304 grade stainless steel. Polished finished no.4. Custom sizes manufactured on request.

Plug & waste sold separately

SINK BOWLS & ACCESSORIES
CRH Series Fabricated Bowls

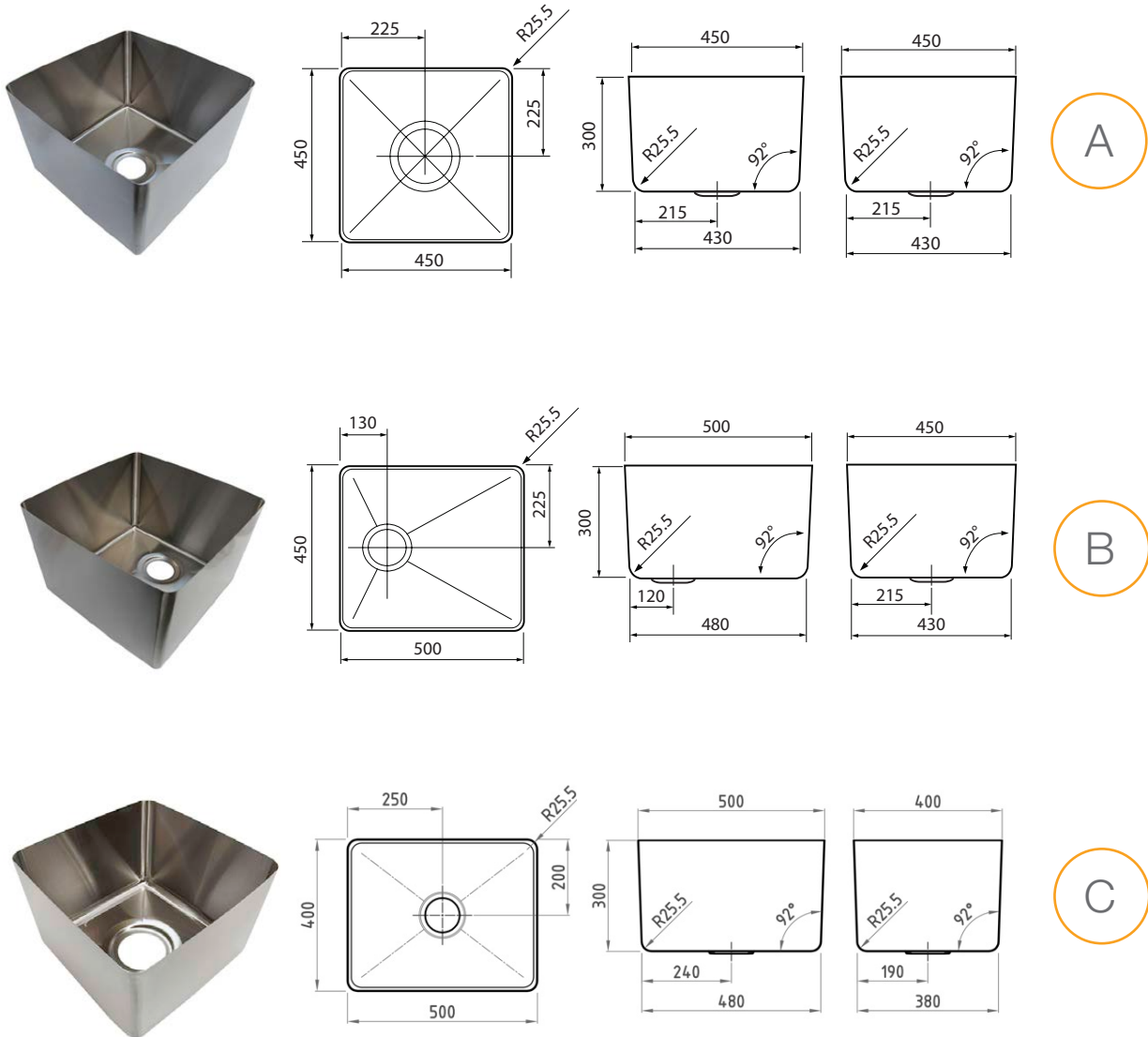


	Code	Description
A	SBF454525F	Fabricated bowl. Size: 450mm x 450mm x 250mm Offset Punched 90mm Waste Constructed from 1.2mm 304 grade stainless steel. Polished finished no.4. Custom sizes manufactured on request.
B	SBF454530F	Fabricated bowl. Size: 450mm x 450mm x 300mm Offset Punched 90mm Waste Constructed from 1.2mm 304 grade stainless steel. Polished finished no.4. Custom sizes manufactured on request.

Plug & waste sold separately

SINK BOWLS & ACCESSORIES

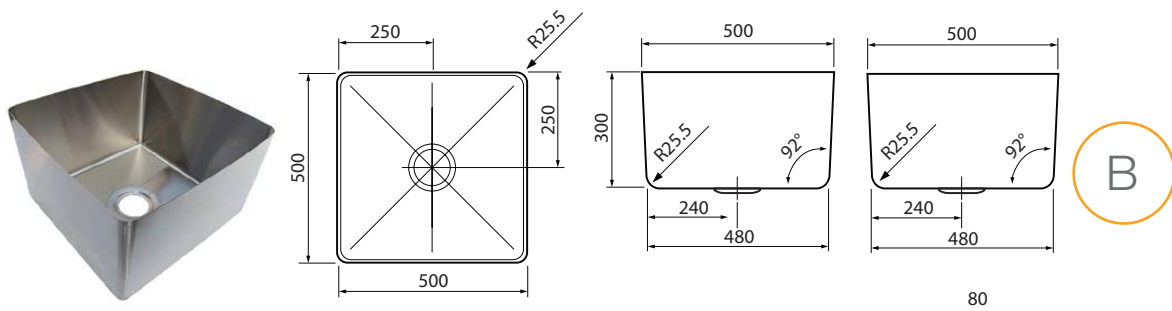
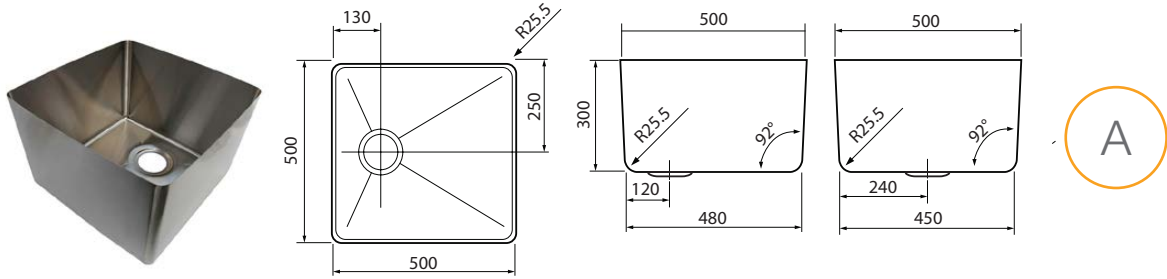
CRH Series Fabricated Bowls



	Code	Description
A	SBF454530C	Fabricated bowl. Size: 450mm x 450mm x 300mm Centre Punched 90mm Waste Constructed from 1.2mm 304 grade stainless steel. Polished finished no.4. Custom sizes manufactured on request.
B	SBF504530F	Fabricated bowl. Size: 500mm x 450mm x 300mm Offset Punched 90mm Waste Constructed from 1.2mm 304 grade stainless steel. Polished finished no.4. Custom sizes manufactured on request.
C	SBF504030C	Fabricated bowl. Size: 500mm x 400mm x 300mm Centre Punched 90mm Waste Constructed from 1.2mm 304 grade stainless steel. Polished finished no.4. Custom sizes manufactured on request.

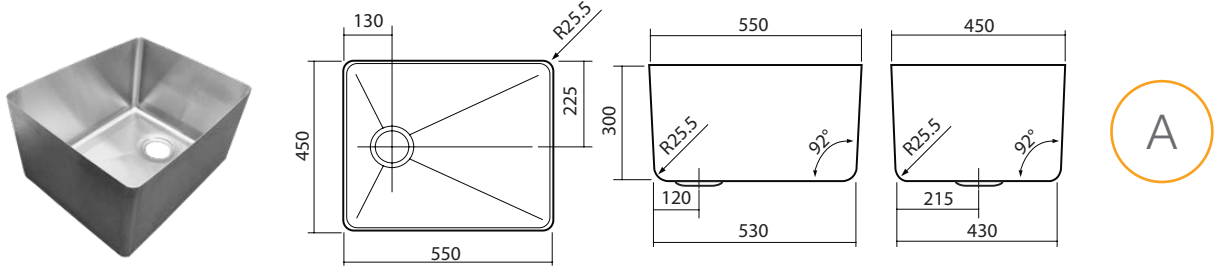
Plug & waste sold separately

SINK BOWLS & ACCESSORIES
CRH Series Fabricated Bowls

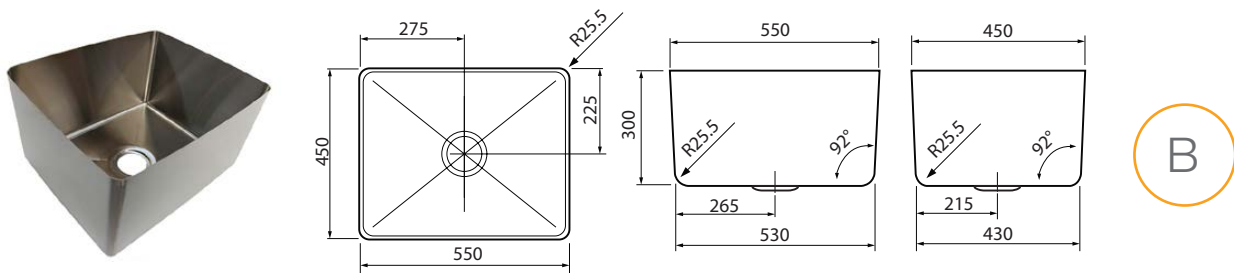


	Code	Description
A	SBF505030F	Fabricated bowl. Size: 500mm x 500mm x 300mm Offset Punched 90mm Waste Constructed from 1.2mm 304 grade stainless steel. Polished finished no.4. Custom sizes manufactured on request.
B	SBF505030C	Fabricated bowl. Size: 500mm x 500mm x 300mm Centre Punched 90mm Waste Constructed from 1.2mm 304 grade stainless steel. Polished finished no.4. Custom sizes manufactured on request.

Plug & waste sold separately



A

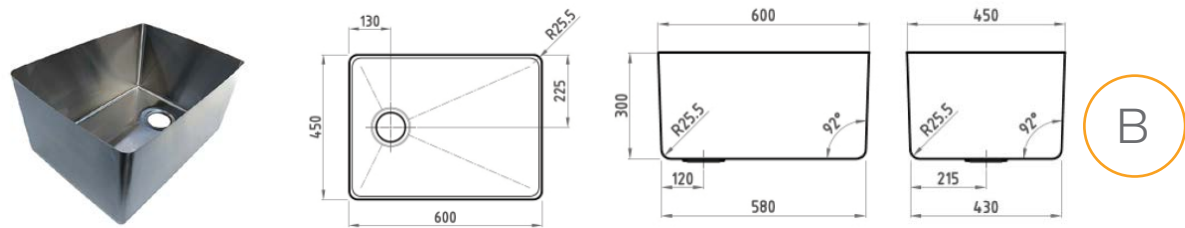
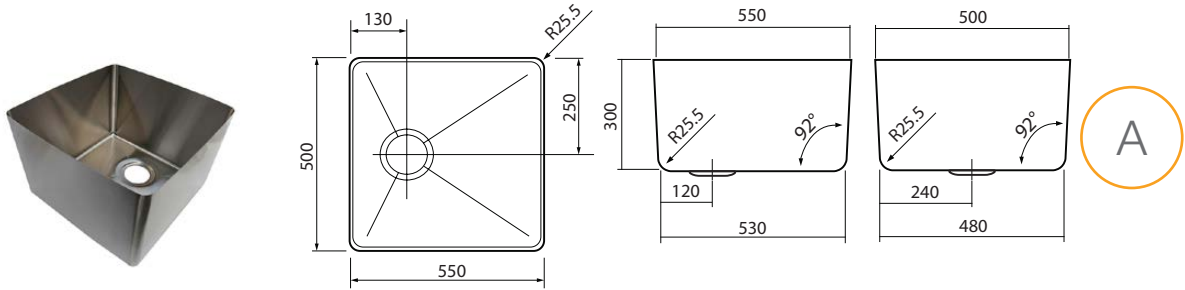


B

	Code	Description
A	SBF554530F	Fabricated bowl. Size: 550mm x 450mm x 300mm Offset Punched 90mm Waste Constructed from 1.2mm 304 grade stainless steel. Polished finished no.4. Custom sizes manufactured on request.
B	SBF554530C	Fabricated bowl. Size: 550mm x 450mm x 300mm Centre Punched 90mm Waste Constructed from 1.2mm 304 grade stainless steel. Polished finished no.4. Custom sizes manufactured on request.

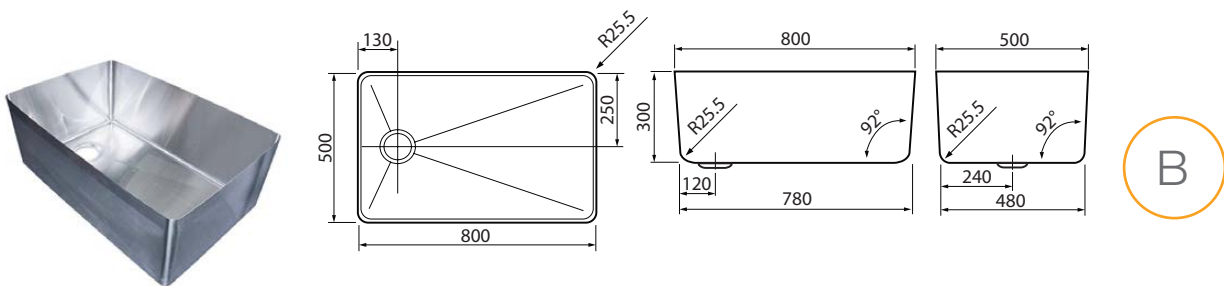
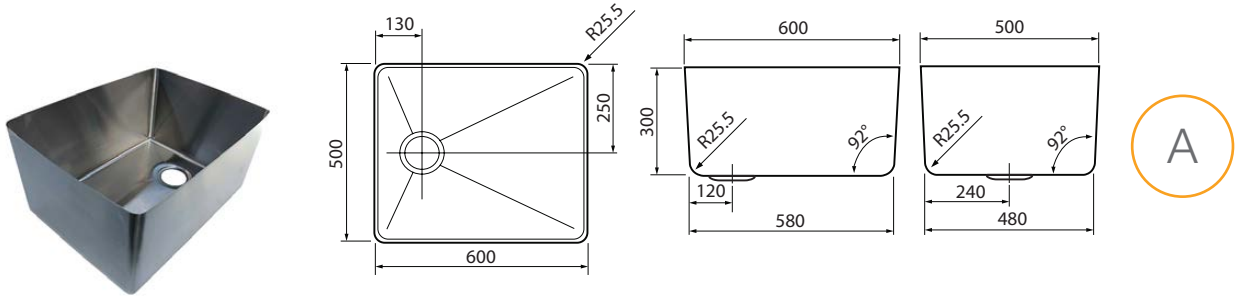
Plug & waste sold separately

SINK BOWLS & ACCESSORIES
CRH Series Fabricated Bowls



	Code	Description
A	SBF555030F	Fabricated bowl. Size: 550mm x 500mm x 300mm Offset Punched 90mm Waste Constructed from 1.2mm 304 grade stainless steel. Polished finished no.4. Custom sizes manufactured on request.
B	SBF604530F	Fabricated bowl. Size: 600mm x 450mm x 300mm Offset Punched 90mm Waste Constructed from 1.2mm 304 grade stainless steel. Polished finished no.4. Custom sizes manufactured on request.

Plug & waste sold separately



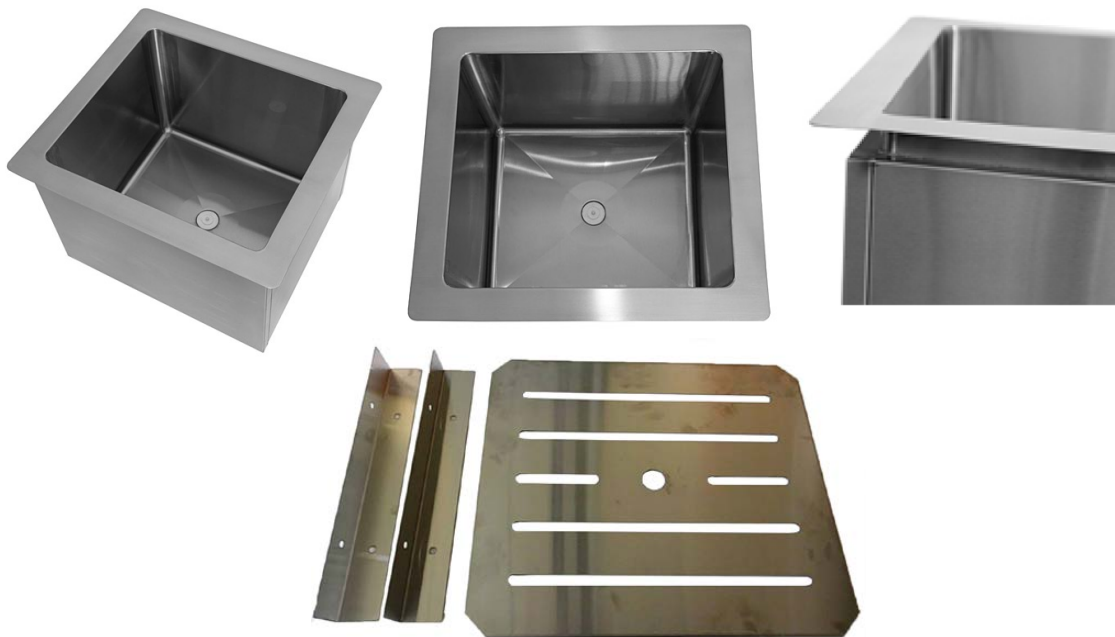
	Code	Description
A	SBF605030F	Fabricated bowl. Size: 600mm x 500mm x 300mm Offset Punched 90mm Waste Constructed from 1.2mm 304 grade stainless steel. Polished finished no.4. Custom sizes manufactured on request.
B	SBF805030F	Fabricated bowl. Size: 800mm x 500mm x 300mm Offset Punched 90mm Waste Constructed from 1.2mm 304 grade stainless steel. Polished finished no.4. Custom sizes manufactured on request.

Plug & waste sold separately

SINK BOWLS & ACCESSORIES
 CRH Series Knee Operated Sinks



Code	Description
ASKOB1	Knee operated sink without temping valve. Hands free, knee operation. Large front panel 420mm x 150mm. Automatic water shutoff. Outside dimensions 521mm x 408mm x 200mm deep. Constructed from 304 stainless steel. Body and shroud material thickness 1.2mm Sink material thickness 0.9mm Polished finish. 40mm drain. 5 Star WELS rating and AS/NZS 6400:2005 compliant. Waterflow 6 litres per minute. Automatic water shut-off after 7 seconds. Sink capacity: 10 Litres.
ASKOB2	Knee operated sink with temping valve. Hands free, knee operation. Large front panel 420mm x 150mm. Automatic water shutoff. Outside dimensions 521mm x 408mm x 200mm deep. Constructed from 304 stainless steel. Body and shroud material thickness 1.2mm Sink material thickness 0.9mm Polished finish. 40mm drain. 5 Star WELS rating and AS/NZS 6400:2005 compliant. Waterflow 6 litres per minute. Automatic water shut-off after 7 seconds. Sink capacity: 10 Litres.



Code	Description
ICE403530	Ice Well, 485mm x 435mm x 300mm. Centre Punched. <ul style="list-style-type: none"> • 304 grade stainless steel inner bowl, outer skin & fixing brackets • Polyurethane Foam Insulation between the outer skin and inner bowl • Designed so it may be either welded or dropped into bench top • 2 x side brackets are provided to give stronger installed strength • Bottom slotted ice tray to prevent ice sitting in water • 25mm drain hole so excess water drains away to preserve ice



A



B



C

	Code	Description
A	40STD	40mm Plug & Waste. Manufactured from glass reinforced polypropylene with a stainless steel face.
B	50BWA	Plug and waste. Polypropylene and 304 stainless steel waste with stainless steel plug and scrap trap. Fits 89mm sink hole and attaches to standard 50mm pipe.
C	5040M	50mm x 40mm Waste Reducer



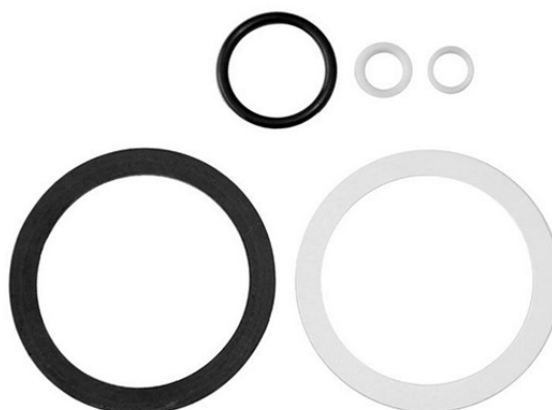
	Code	Description
A	50PGR	50mm Plug & Waste. Manufactured from glass reinforced polypropylene with a stainless steel face.
B	PW89/50	Plug and Waste. Fits 89mm sink hole and attaches to standard 50mm pipe. Made in accordance with Australian Standard AS2887. Manufactured from glass reinforced polypropylene with a 304 stainless steel face. SAI approved to MP52-SPEC.005. 89mm sink hole and attaches to standard 50mm pipe.



A



B

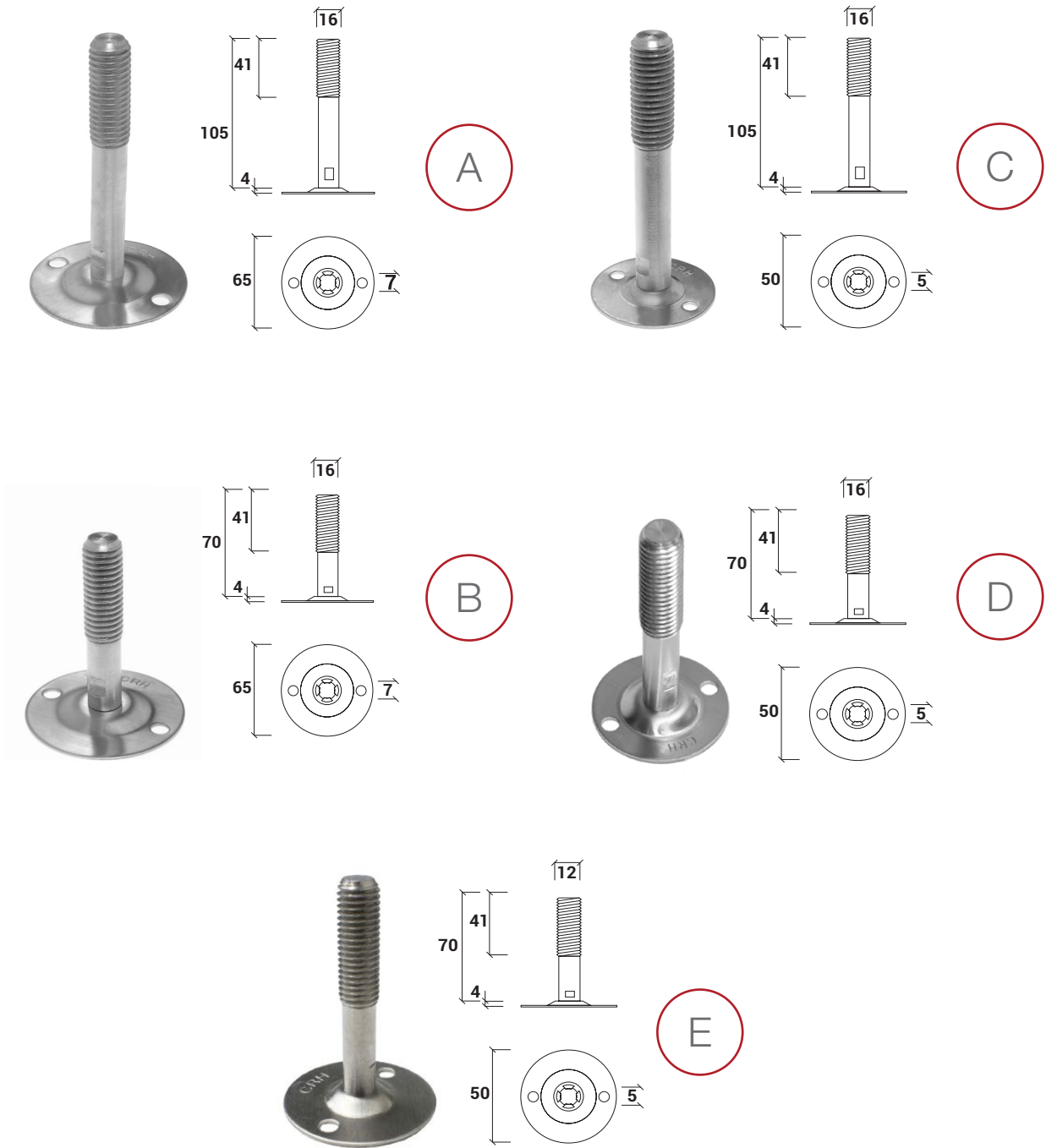


C

	Code	Description
A	K458001200	Kason Twist Waste Drain. Designed to fit an 89mm waste hole. Fits a standard 50mm pipe fitting.
B	72-FS	Stainless steel flat strainer to suit WD20T.
C	72-RK	Replacement kit for WD20T, includes flange rubber washer and paper gasket, body bushing, packing nut bushing and plug O-ring.



EQUIPMENT LEGS, FEET & TUBE CLOSURES
CRH Series Stainless Steel Disc Feet

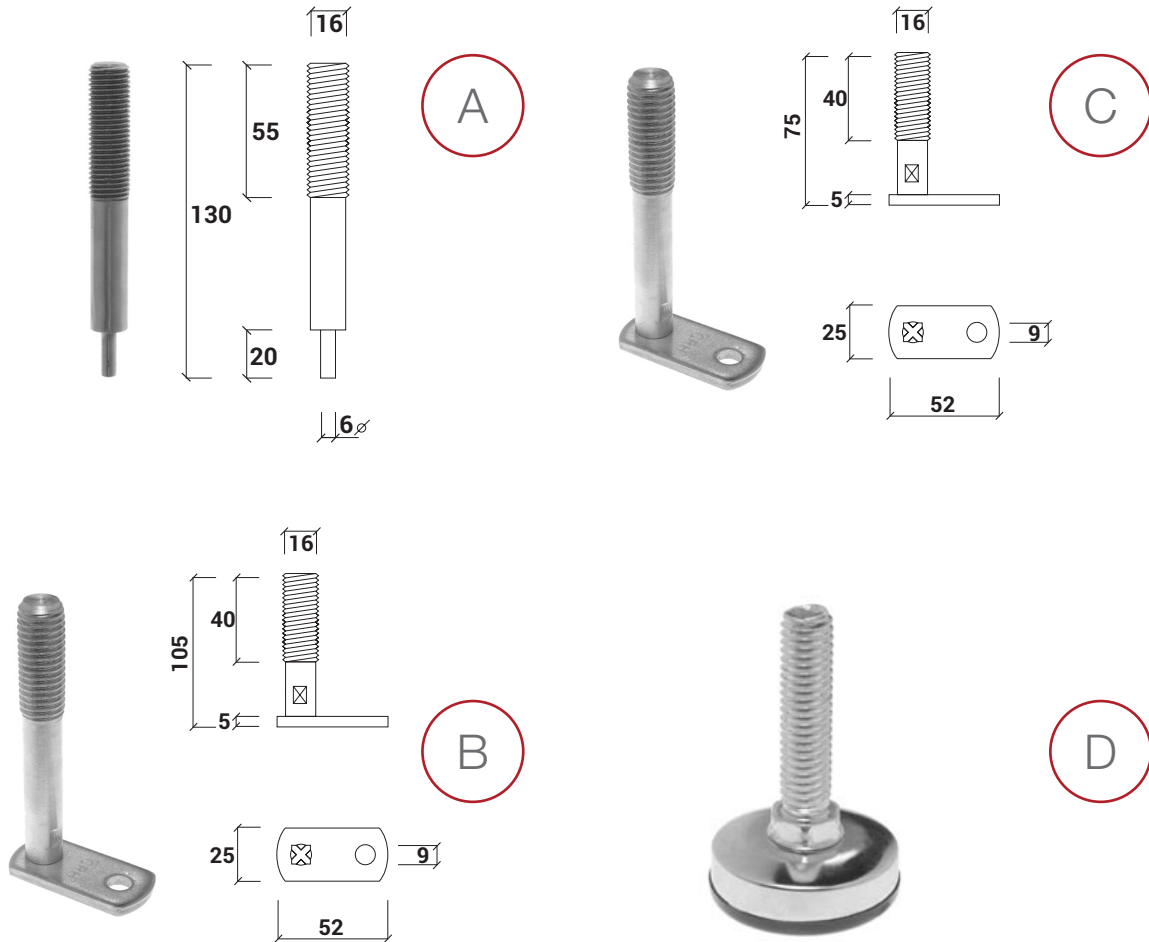


	Code	Description	Foot Size	Stem Height
A	CRH08X	Stainless steel disc foot. M16 thread.	65mm	105mm
B	CRH08-70X	Stainless steel disc foot. M16 thread.	65mm	70mm
C	CRH08-50DLX	Stainless steel disc foot. M16 thread.	50mm	105mm
D	CRH08-50DX	Stainless steel disc foot. M16 thread.	50mm	70mm
	CRH08-38DX	Stainless steel disc foot. 12mm thread	38mm	70mm
E	CRH08-50DX12	CRH 50mm S/S disc foot, M12 thread, 70mm stem	50mm	70mm

Static Load Rating 400kg

EQUIPMENT LEGS, FEET & TUBE CLOSURES
CRH Series Stainless Steel Adjustable Feet

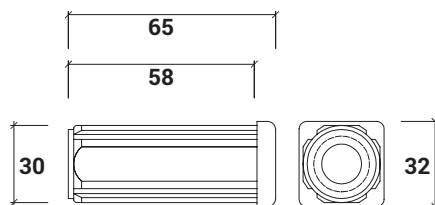
EQUIPMENT LEGS, FEET & TUBE CLOSURES



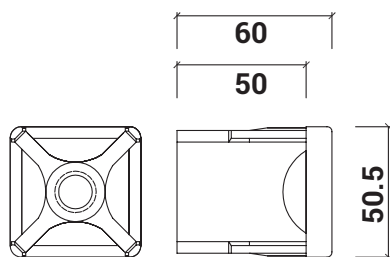
	Code	Description	Foot Size	Stem Height
A	CRH08PX	Stainless steel pin foot. M16 thread.	5mm	110mm
B	CRH09X	Stainless steel lug foot. M16 thread.	52x25mm	105mm
C	CRH09-70X	Stainless steel lug foot. M16 thread.	52x25mm	70mm
Static Load Rating 400kg				
D	GLIDE	Metal shell, nylon base foot. 3/8" BSW thread	35 dia	38mm



EQUIPMENT LEGS, FEET & TUBE CLOSURES
CRH Series Nylon Threaded Leg Insert



A



B



C

	Code	Description	Thread Size	To Fit Tube Measuring
A	CRH05-25X	Nylon leg insert	M16	25mm square 1.2mm or 1.6mm wall thickness
	CRH06-32X	Nylon leg insert	M16	32mm square 1.2mm or 1.6mm wall thickness
	CRH07-38X	Nylon leg insert	M16	38mm square 1.2mm or 1.6mm wall thickness
	CRH05-25X-12	Nylon leg insert	M12	25mm 1.2mm or 1.6mm wall thickness
	CRH06-32X-12	Nylon leg insert	M12	32mm 1.2mm or 1.6mm wall thickness
	B	CRH10-50X	Nylon leg insert	M16
Static Load Rating 400kg				
C	N791-1x3/8	Glide insert	3/8" BSW	25mm square 1.2mm wall thickness
	N791-11/4x3/8	Glide insert	3/8" BSW	32mm square 1.2mm wall thickness
	N791-11/2x3/8	Glide insert	3/8" BSW	38mm square 1.2mm wall thickness

EQUIPMENT LEGS, FEET & TUBE CLOSURES
 CRH Series Nylon Threaded Leg Insert

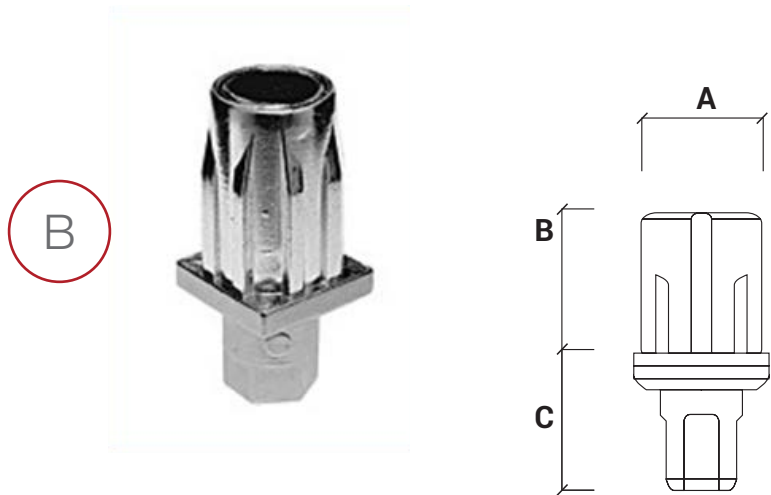


	Code	Description	Thread Size	To Fit Tube Measuring
A	CRH01-25X12	Nylon leg insert	M12	25mm round OD
B	CRH02-32X12	Nylon leg insert	M12	32mm round OD
C	CRH02-32X16	Nylon leg insert	M16	32mm round OD
D	CRH03-38X12	Nylon leg insert	M12	38mm round OD
E	CRH03-38X16	Nylon leg insert	M16	38mm round OD



EQUIPMENT LEGS, FEET & TUBE CLOSURES

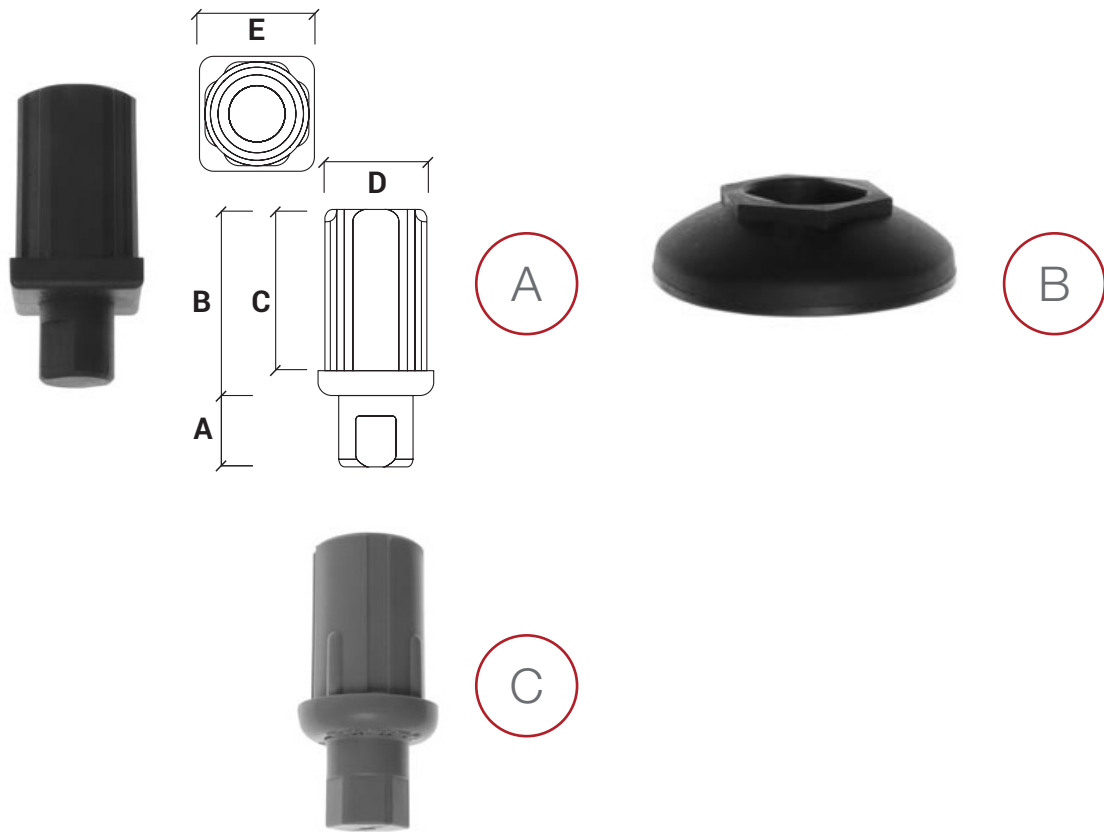
CRH Series Chrome Plated Adjustable Feet



EQUIPMENT LEGS, FEET & TUBE CLOSURES

	Code	Description	Stem width A	Stem Length B	Standard Height C
A	TO-25FL	Die cast chrome plate adjustable flanged foot to fit tube measuring 25mm square with 1.2mm wall thickness. Adjustment Height: 20mm.	22	32	15
	TO-32FL	Die cast chrome plate adjustable flanged foot to fit tube measuring 32mm square with 1.2mm wall thickness. Adjustment Height: 35mm.	29	43	30
B	TO-25X	Die cast chrome plate adjustable foot to fit tube measuring 25mm square with 1.2mm wall thickness. Adjustment Height: 25mm	22	32	15
	TO-32X	Die cast chrome plate adjustable foot to fit tube measuring 32mm square with 1.2mm wall thickness. Adjustment Height: 33mm.	29	43	30
	TO-38X	Die cast chrome plate adjustable foot to fit tube measuring 38mm square with 1.2mm wall thickness. Adjustment Height: 33mm	35	43	30

EQUIPMENT LEGS, FEET & TUBE CLOSURES
CRH Series Nylon Adjustable Bullet Feet



Stock Code	Foot A	Length B	Inside Length C	Stem Width D	Tube Width E
RH01-25X	14	40	33	22	25
RH02-32X	20	52	45	30	32
RH03-38X	25	52	45	35	38

	Code	Description	To Fit Tube Measuring	Adjustment Height
A	RH01-25X	Nylon adjustable foot	25mm square	20mm 1.2 or 1.6 wall thickness
	RH02-32X	Nylon adjustable foot	32mm square	25mm 1.2 or 1.6 wall thickness
	RH03-38X	Nylon adjustable foot	38mm square	25mm 1.2 or 1.6 wall thickness
B	RH01-25XB	Base plate for RH01-25X		
	RH02-32XB	Base plate for RH02-32X		
	RH03-38XB	Base plate for RH03-38X		
C	TO-108PG	Grey plastic adjustable foot	18G 38mm round	20mm

Static Load Rating 400kg



EQUIPMENT LEGS, FEET & TUBE CLOSURES
Stainless Steel Bullet Foot



A

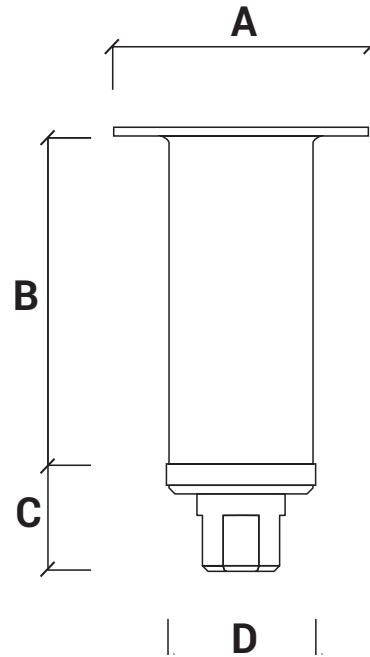


B

	Code	Description	To Fit Tube Measuring	Adjustment Height
A	A10-0651	Stainless steel clad adjustable foot .	38mm round 1.2mm wall thickness.	35mm
B	K61652000258	Kason stainless steel clad adjustable foot.	38mm square, 1.2mm wall thickness.	28mm

Static Load Rating 400kg

50mm Round Appliance Leg



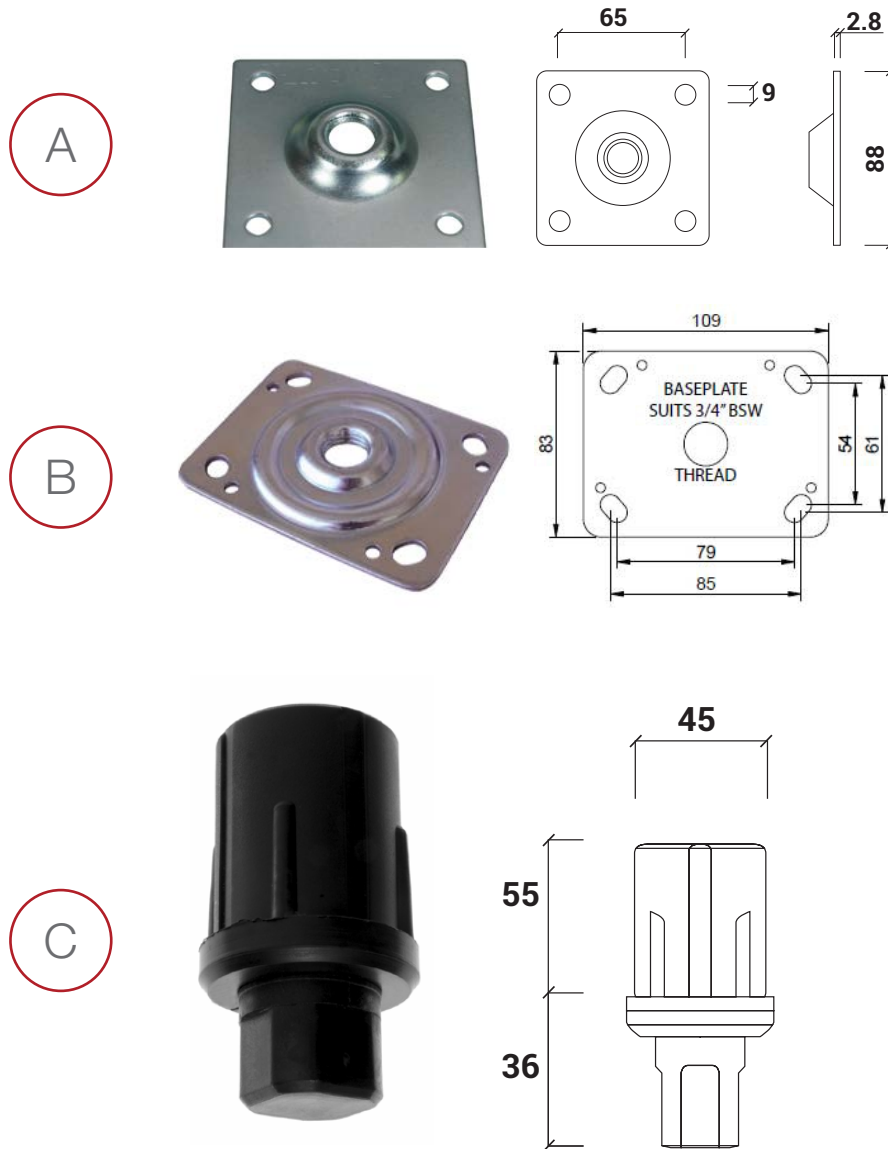
Stock Code	Overall Length	(A) Mounting Plate	(B) Stainless Steel Leg	(C) Nylon Foot Before Adjustment	(D) Tube Width
LS125X	125-155mm	89mm	85mm	36mm	50mm
LS150X	150-180mm	89mm	110mm	36mm	50mm
LS200X	200-230mm	89mm	160mm	36mm	50mm
LS250X	250-280mm	89mm	210mm	36mm	50mm

Code	Description	Size	Tube Diam	Adjustment Height
LS125X	Stainless steel appliance leg, with adjustable nylon insert and zinc plated mounting plate.	125mm	50mm	30mm
LS150X	Stainless steel appliance leg, with adjustable nylon insert and zinc plated mounting plate.	150mm	50mm	30mm
LS200X	Stainless steel appliance leg, with adjustable nylon insert and zinc plated mounting plate.	200mm	50mm	30mm
LS250X	Stainless steel appliance leg, with adjustable nylon insert and zinc plated mounting plate.	250mm	50mm	30mm



EQUIPMENT LEGS, FEET & TUBE CLOSURES

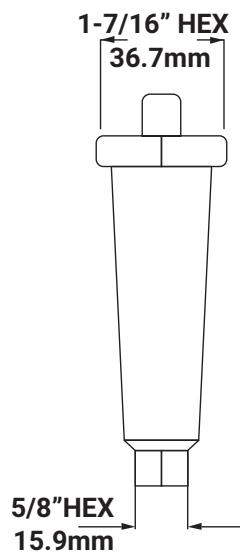
Mounting Plate / Round Adjustable Leg Insert



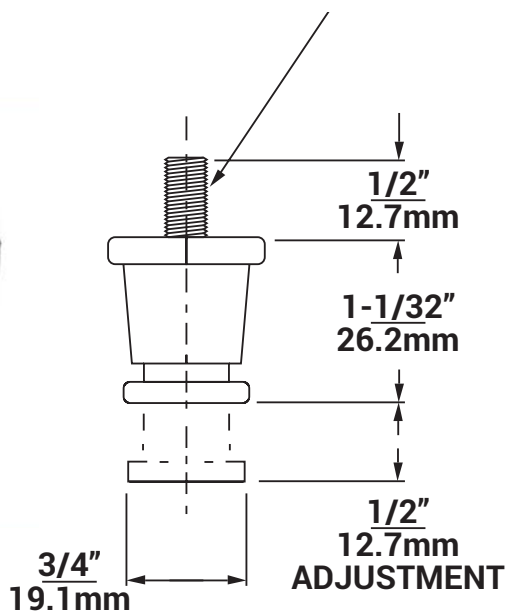
	Code	Description	Size
A	MPZP	Zinc plated mounting plate, 3/4" BSW	88x88
	MPSS	Stainless steel mounting plate, 3/4" BSW	88x88
B	R34MP	Rectangular mounting plate, zinc plated, 109mm x 83mm, 3/4" BSW thread compatible with SKOPE fridges	
C	PLI	Nylon adjustable leg insert. To fit 50mm round tube. 1.2 or 1.6mm wall thickness.	30mm
	PLI-LONG	Nylon adjustable leg insert. To fit 50mm round tube. 1.2 or 1.6mm wall thickness.	50mm
	PLIB	Base plate for PLI and PLI-LONG	

Thermoplastic Leg

A



B



	Code	Description
A	1740000257	Black thermoplastic leg. Static load rating 34.1kg Toe Type: Hex Adjustment Height: 12.7mm Mounting Stud: 3/8"-16 through stud. Height: 101.6mm.
B	1742000360	Thermoplastic leg. Toe Type: Round Adjustment Height: 12.7mm Mounting Stud: 3/8" Height: 26mm.

A



B



C



	Code	Description
A	P2000BL	Plastic tube closure to fit tube measuring 25mm x 50mm with 1.2 or 1.6mm wall thickness.
B	TC25RND	Plastic tube closure to fit tube measuring 25mm round with 1.2 or 1.6mm wall thickness
	TC32RND	Plastic tube closure to fit tube measuring 32mm round with 1.2 or 1.6mm wall thickness.
	TC38RND	Plastic tube closure to fit tube measuring 38mm round with 1.2 or 1.6mm wall thickness.
C	P780 X 1BL	Plastic tube closure to fit tube measuring 25mm square with 1.2 or 1.6mm wall thickness.
	P780 X 1 1/4BL	Plastic tube closure to fit tube measuring 32mm square with 1.2 or 1.6mm wall thickness.
	P780 X 1 1/2BL	Plastic tube closure to fit tube measuring 38mm square with 1.2 or 1.6mm wall thickness.
	P780 X 2BLX	Plastic tube closure to fit tube measuring 50mm square with 1.2 or 1.6mm wall thickness.

A



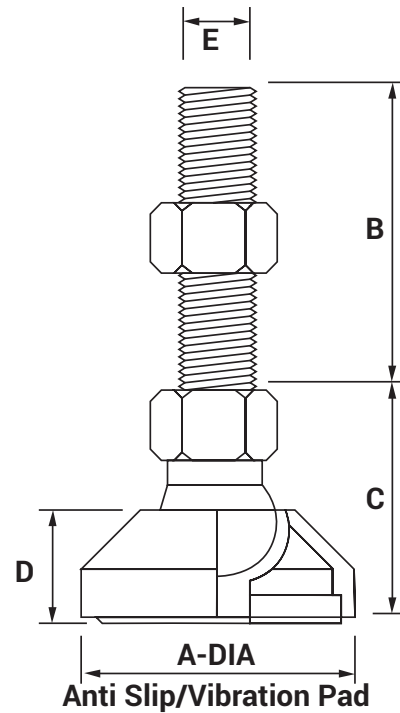
B



	Code	Description
A	TO-59-25	Stainless steel tube closure to fit tube measuring 25mm square.
	TO-59-32	Stainless steel tube closure to fit tube measuring 32mm square.
B	K7503-301	Round Nickel Plated Tube Closure 25mm OD.



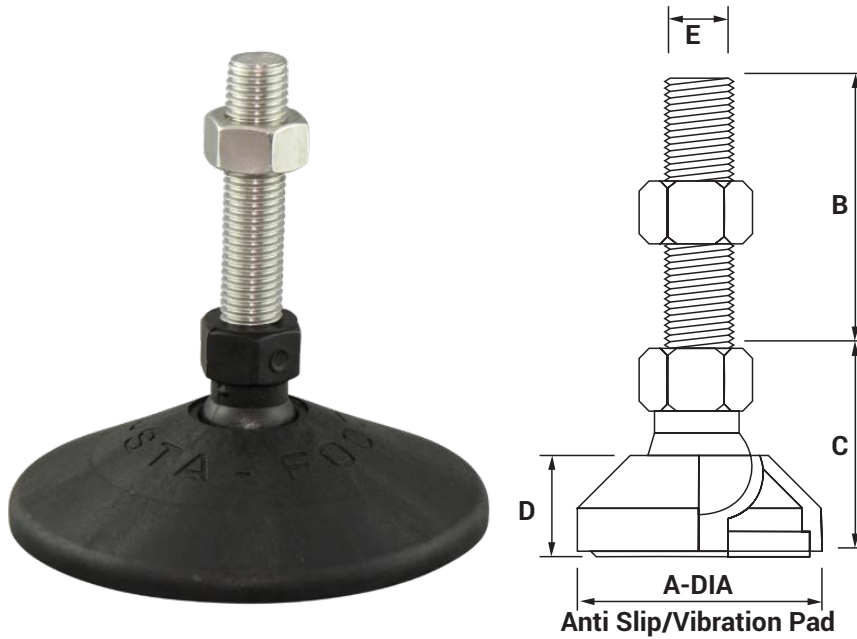
EQUIPMENT LEGS, FEET & TUBE CLOSURES
Ball Jointed A-Justa-Foot - Mild Steel



Stock Code	Size MM	A	B	C	D	E	Rating
20/40/M8/60	40xM8	40	60	33	20	M8	350kg
20/40/M8/35	40xM8	40	35	33	20	M8	350kg
20/40/M10/60	40xM10	40	60	33	20	M10	500kg
20/40/M10/35	40xM10	40	35	33	20	M10	500kg
20/60/M12/65	60xM12	60	65	51	25	M12	800kg
20/60/M16/65	60xM16	60	65	51	25	M16	1000kg
20/90/M12/65	90xM12	90	65	51	25	M12	800kg
20/90/M16/65	90xM16	90	65	51	25	M16	1000kg
20/60/M16/150	60xM16	60	150	51	25	M16	1000kg
20/90/M16/150	90xM16	90	150	51	25	M16	1000kg
20/60/M20/100	60xM20	60	100	51	25	M20	1000kg
20/60/M20/165	60xM20	60	165	51	25	M20	1000kg
20/90/M20/100	90xM20	90	100	51	25	M20	1000kg
20/90/M20/165	90xM20	90	165	51	25	M20	1000kg
20/125/M12/65	125XM12	125	65	56	30	M12	900KG
20/125/M16/65	125XM16	125	65	56	30	M16	1100KG
20/125/M20/100	125XM20	125	100	56	30	M20	1200KG
20/125/M20/165	125XM20	125	165	56	30	M20	1200KG

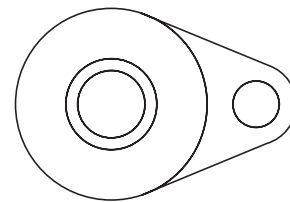
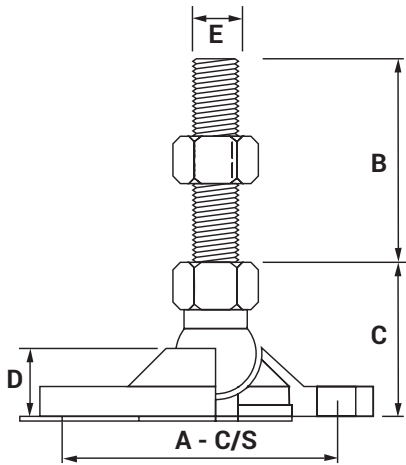
EQUIPMENT LEGS, FEET & TUBE CLOSURES

Ball Jointed A-Justa-Foot - Stainless Steel



Stock Code	Size MM	A	B	C	D	E	Rating
21/40/M6/40	40xM6	40	40	33	20	M6	100kg
21/40/M8/80	40xM8	40	80	33	20	M8	350kg
21/40/M10/60	40xM10	40	60	33	20	M10	500kg
21/60/M12/65	60xM12	60	65	51	25	M12	800kg
21/60/M12/165	165xM12	60	165	51	25	M12	1000kg
21/60/M16/65	60xM16	60	65	51	25	M16	1000kg
21/90/M12/65	90xM12	90	65	51	25	M12	800kg
21/90/M16/65	90xM16	90	65	51	25	M16	1000kg
21/60/M16/165	60xM16	60	165	51	25	M16	1000kg
21/90/M16/165	90xM16	90	165	51	25	M16	1000kg
21/60/M20/100	60xM20	60	100	51	25	M20	1000kg
21/60/M20/165	90xM20	60	165	51	25	M20	1000kg
21/90/M20/100	90xM20	90	100	51	25	M20	1000kg
21/90/M20/165	90xM20	60	165	51	25	M20	1000kg
21/125/M12/65	125xM12	125	65	56	30	M12	900kg
21/125/M16/65	125xM16	125	65	56	30	M16	1100kg
21/125/M16/165	125xM16	125	165	56	30	M16	1100KG
21/125/M20/100	125xM20	125	100	56	30	M20	1200KG
21/125/M20/165	125xM20	125	165	56	30	M20	1200KG

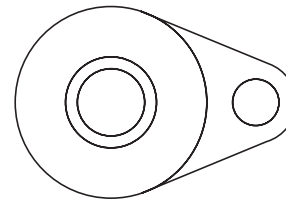
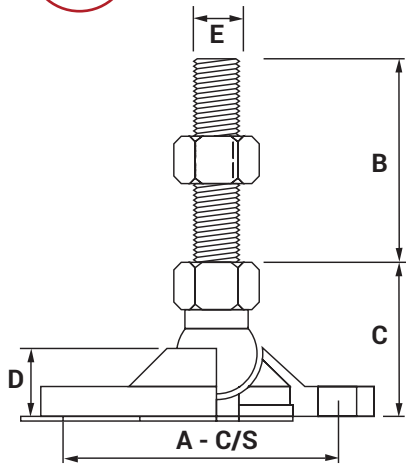
EQUIPMENT LEGS, FEET & TUBE CLOSURES
Bolt Down A-Justa-Foot - Mild Steel



Single hole bolt down flange -40°

	Stock Code	Size MM	A	B	C	D	E	Rating
A	30/60/M12/65	60xM12	80	65	51	23	M12	800kg
	30/60/M16/65	60xM16	80	65	51	23	M16	1000kg
	30/60/M16/150	60xM12	80	150	51	23	M16	1000kg
	30/60/M20/100	60xM20	80	100	51	23	M20	1000kg
	30/60/M20/165	60xM20	80	165	51	23	M20	1000kg
	30/90/M12/65	90xM12	60	65	51	25	M12	800kg
	30/90/M16/65	90xM16	60	65	51	25	M16	1000kg
	30/90/M16/150	90xM16	60	150	51	25	M16	1000kg
	30/90/M20/100	90xM20	60	100	51	25	M20	1000kg
	30/90/M20/165	90xM20	60	165	51	25	M20	1000kg
B	30/40/M8/60S	40xM8	60	60	33	20	M8	350kg
	30/40/M8/35S	40xM8	60	35	33	20	M8	350kg
	30/40/M10/60S	40xM10	60	60	33	20	M10	500kg
	30/40/M10/35S	40xM10	60	35	33	20	M10	500kg

EQUIPMENT LEGS, FEET & TUBE CLOSURES
Bolt Down A-Justa-Foot - Stainless Steel

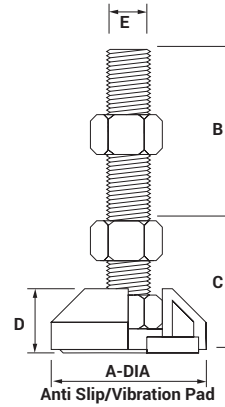


Single hole bolt down flange -40°

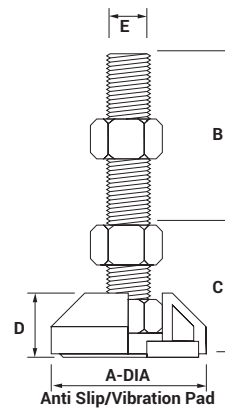
	Stock Code	Size MM	A	B	C	D	E	Rating
A	31/60/M12/65	60xM12	80	65	51	23	M12	800kg
	31/60/M16/65	60xM16	80	65	51	23	M16	1000kg
	31/60/M16/165	60xM16	80	165	51	23	M16	1000kg
	31/60/M20/100	60xM20	80	100	51	23	M20	1000kg
	31/60/M20/165	60xM20	80	165	51	23	M20	1000kg
	31/90/M12/65	90xM12	60	65	51	25	M12	800kg
	31/90/M16/65	90xM16	60	65	51	25	M16	1000kg
	31/90/M16/165	90xM16	60	165	51	25	M16	1000kg
	31/90/M20/100	90xM20	60	100	51	25	M20	1000kg
	31/90/M20/165	90xM20	60	165	51	25	M20	1000kg
B	31/40/M8/80	40xM8	60	80	33	20	M8	350kg
	31/40/M10/60	40xM10	60	60	33	20	M10	500kg



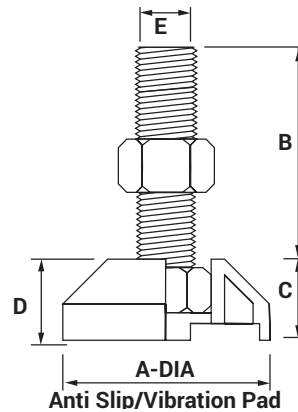
A



B

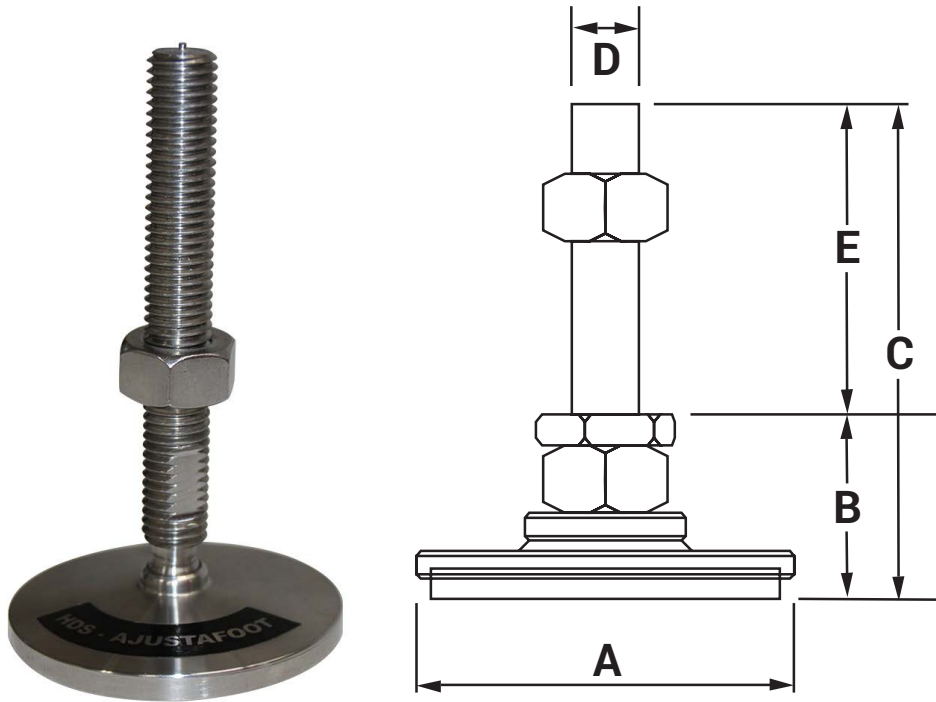


C



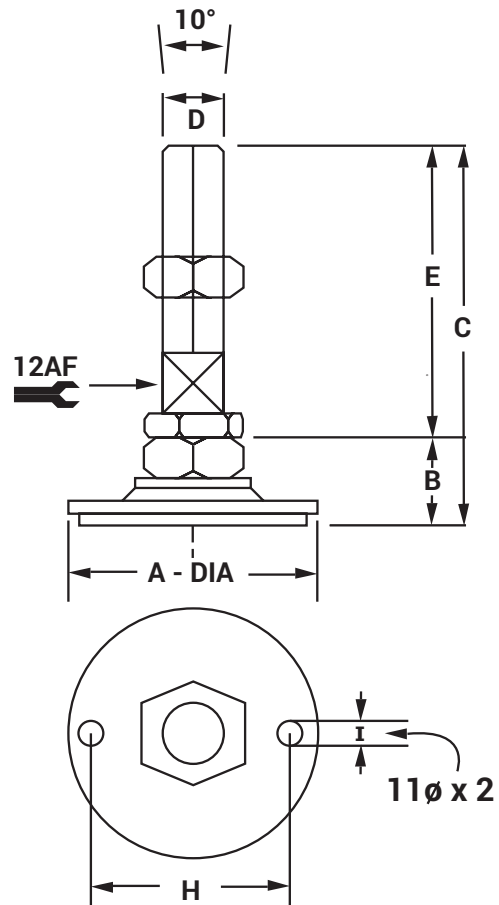
	Stock Code	Material	Size	A	B	C	D	Rating
A	40/40/M8/35	Mild Steel	40xM8	40	35	20	M8	350kg
	40/40/M10/35	Mild Steel	40xM10	40	35	20	M10	500kg
	40/60/M12/60	Mild Steel	60xM12	60	60	25	M12	800kg
	40/40/M10/95	Mild Steel	40xM10	40	95	20	M10	500kg
B	41/40/M8/35	Stainless Steel	40xM8	40	35	20	M8	350kg
	41/40/M10/35	Stainless Steel	40xM10	40	35	20	M10	500kg
	41/60/M12/60	Stainless Steel	60xM12	60	60	25	M12	800kg
C	41/22/M8/38	Stainless Steel	22xM7	22	13	10	M8	

EQUIPMENT LEGS, FEET & TUBE CLOSURES
 Heavy Duty A-Justa-Foot - Stainless Steel

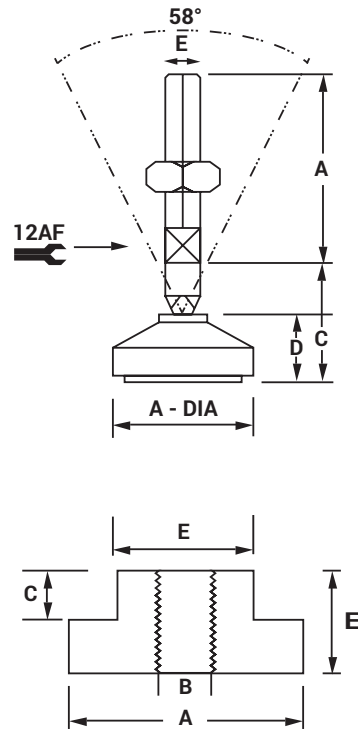


Stock Code	A Base	B Base Height	C Overall Height	D Stud	E Thread Length	F Pivot Angle	G Rating
HDA221/90/M16/70	90	42	105	M16	63	10deg	2000kg
HDA221/90/M16/170	90	42	205	M16	163	10deg	2000kg
HDA221/90/M20/70	90	45	100	M20	60	10deg	3000kg
HDA221/90/M20/170	90	45	200	M20	160	10deg	3000kg
HDA221/90M/24/70	90	50	100	M24	60	10deg	4000kg
HDA221/90M/24/170	90	50	200	M24	160	10deg	4000kg
HDA221/125/M16/70	125	42	105	M16	63	10deg	2000kg
HDA221/125/M16/170	125	42	205	M16	163	10deg	2000kg
HDA221/125/M20/70	125	45	100	M20	60	10deg	3000kg
HDA221/125/M20/170	125	45	200	M20	160	10deg	3000kg
HDA221/125/M24/70	125	50	100	M24	60	10deg	4000kg
HDA221/125/M24/170	125	50	200	M24	160	10deg	4000kg

Heavy Duty Bolt Down A-Justa-Foot - Stainless Steel



Stock Code	A Base	B Base Height	C Overall Height	D Stud	E Thread Length	F Pivot Angle	G Rating	H
HDA231/90/M16/70	90	42	105	M16	63	10deg	2000kg	60
HDA231/90/M16/170	90	42	205	M16	163	10deg	2000kg	60
HDA231/90/M20/70	90	45	100	M20	60	10deg	3000kg	60
HDA231/90/M20/170	90	45	200	M20	160	10deg	3000kg	60
HDA231/90M/24/70	90	50	100	M24	60	10deg	4000kg	60
HDA231/90M/24/170	90	50	200	M24	160	10deg	4000kg	60
HDA231/125/M16/70	125	42	105	M16	63	10deg	2000kg	90
HDA231/125/M16/170	125	42	205	M16	163	10deg	2000kg	90
HDA231/125/M20/70	125	45	100	M20	60	10deg	3000kg	90
HDA231/125/M20/170	125	45	200	M20	160	10deg	3000kg	90
HDA231/125/M24/70	125	50	100	M24	60	10deg	4000kg	90
HDA231/125/M24/170	125	50	200	M24	160	10deg	4000kg	90

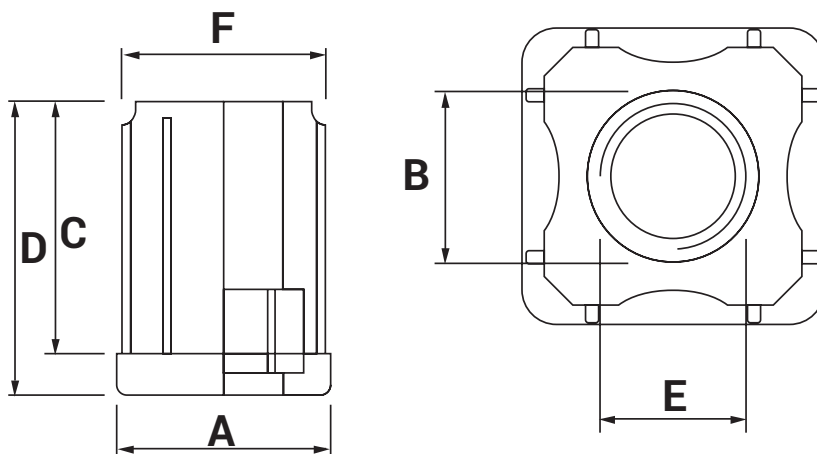


Stock Code	Size MM	A	B	C	D	E	Rating
121/40/M8/60	40xM8	40	60	30	18	M8	500kg
121/40/M10/60	40xM10	40	60	30	18	M10	700kg
121/40/M10/90	40xM10	40	90	30	18	M10	700KG
121/60/M12/90	60xM12	60	90	44	25	M12	1200kg
121/60/M12/190	60xM12x190	60	190	44	25	M12	1200kg
121/60/M16/90	60xM16	60	90	44	25	M16	2000kg
121/60/M16/190	60xM16x190	60	190	44	25	M16	2000kg
121/60/M20/90	60xM20	60	90	44	25	M20	3500kg
121/60/M20/190	20xM20x190	20	190	44	25	M20	3500kg
121/60/M24/90	60xM24	60	90	44	25	M24	4500kg
121/60/M24/190	60xM24x190	60	190	44	25	M24	4500kg
121/90/M12/90	90xM12	90	90	44	25	M12	1200kg
121/90/M12/190	90xM12x190	90	190	44	25	M12	1200kg
121/90/M16/90	90xM16	90	90	44	25	M16	2000kg
121/90/M16/190	90xM16x190	90	190	44	25	M16	2000kg
121/90/M20/90	90xM20	90	90	44	25	M20	3500kg
121/90/M20/190	90xM20x190	90	190	44	25	M20	3500kg
121/90/M24/90	90xM24	90	90	44	25	M24	4500kg
121/90/M24/190	90xM24x190	90	190	44	25	M24	4500kg
121/125/M12/90	125xM12	125	90	44	25	M12	1200kg
121/125/M16/90	125xM16	125	90	44	25	M16	2000kg
121/125/M16/190	125xM16x190	125	190	44	25	M16	2000kg
121/125/M20/90	125xM20	125	90	44	25	M20	3500kg
121/125/M20/190	125xM20x190	125	190	44	25	M20	3500kg
121/125/M24/90	125xM24	125	90	44	25	M24	4500kg
121/125/M24/190	125xM24x190	125	190	44	25	M24	4500kg



EQUIPMENT LEGS, FEET & TUBE CLOSURES

Long Threaded Square Tube Inserts

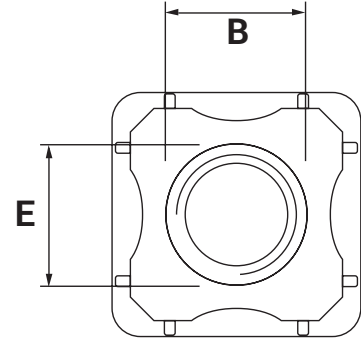
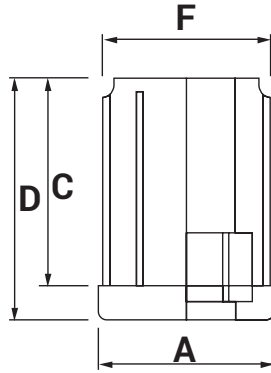


(G) Is Recommended ID Tube Sizes.

Stock Code	Size MM	A	B	C	D	E	F	G	T	Rating
LTS19/M8	19xM8	19	M8	22.5	24.8	9	16	15-16	16	50kg
LTS25/M10	25xM8	25	M10	39	44	11	23.5	22-23	24	100kg
LTS25/M12	25xM12	25	M12	39	44	13	23.5	22-23	24	100kg
LTS32/M10	32xM12	32	M10	39	45	11	30	28-29	24	150kg
LTS32/M12	32xM12	32	M12	39	45	13	30	28-29	24	150kg
LTS38/M10	38xM10	38	M10	41	45	11	36	35-36	24	200kg
LTS38/M12	38xM12	38	M12	41	45	13	36	35-36	24	200kg
LTS38/M16	38xM16	38	M16	41	45	17.7	36	35-36	31	200kg
LTS40/M10	40xM10	40	M10	39	45	11	36.6	36-37	24	500kg
LTS40/M12	40xM12	40	M12	39	45	13	36.6	36-37	24	500kg
LTS51/M10	51xM10	51	M10	39	47	11	48	47-48	24	500kg
LTS51/M12	51xM12	51	M12	39	47	13	48	47-48	24	750kg
LTS51/M16	51xM16	51	M16	39	47	18	48	47-48	31	750kg

EQUIPMENT LEGS, FEET & TUBE CLOSURES

Square Threaded Tube Inserts - Mild Steel



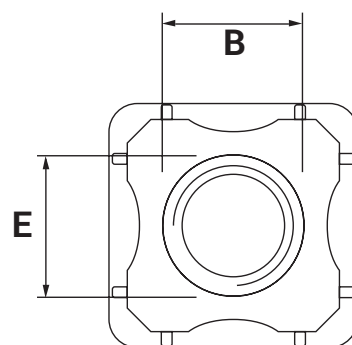
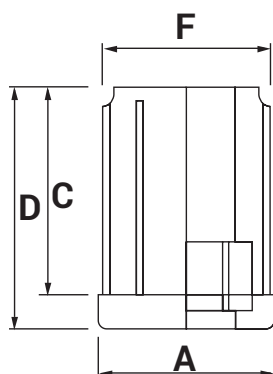
(G) Is Recommended ID Tube Sizes.

Stock Code	Size MM	A	B	C	D	E	F	G	Rating
10/19/M8	19xM8	19	M8	22.5	24.8	9	16	15-16	50kg
10/25/M8	25xM8	25	M8	39	44	10	23.5	22-23	250kg
10/25/M10	25xM10	25	M10	39	44	11	23.5	22-23	250kg
10/25/M12	25xM12	25	M12	39	44	13	23.5	22-23	250kg
10/25/M16	25xM16	25	M16	39	44	16.5	23.5	22-23	250kg
10/30/M8	30xM8	30	M8	39	45	10	26.8	26-27	350kg
10/30/M10	30xM10	30	M10	39	45	11	26.8	26-27	350kg
10/30/M12	30xM12	30	M12	39	45	13	26.8	26-27	350kg
10/30/M16	30xM16	30	M16	39	45	16.5	26.8	26-27	350kg
10/32/M8	32xM8	32	M8	39	45	10	30	28-29	350kg
10/32/M10	32xM10	32	M10	39	45	11	30	28-29	350kg
10/32/M12	32xM12	32	M12	39	45	13	30	28-29	350kg
10/32/M16	32xM16	32	M16	39	45	16.5	30	28-29	350kg
10/35/M10	35xM10	35	M10	39	45	11	32.2	31-32	400kg
10/35/M12	35xM12	35	M12	39	45	13	32.2	31-32	400kg
10/35/M16	35xM16	35	M16	39	45	16.5	32.2	31-32	400kg
10/38/M10	38xM10	38	M10	41	45	12	36	35-36	500kg
10/38/M12	38xM12	38	M12	41	45	13	36	35-36	500kg
10/38/M16	38xM16	38	M16	41	45	18	36	35-36	500kg
10/40/M10	40xM10	40	M10	39	45	11	36.8	36-37	350kg
10/40/M12	40xM12	40	M12	39	45	13	36.8	36-37	350kg
10/40/M16	40xM16	40	M16	39	45	16.5	36.8	36-37	350kg
10/51/M10	51xM10	51	M10	39	47	11	48	47-48	750kg
10/51/M12	51xM12	51	M12	39	47	13	48	47-48	750kg
10/51/M16	51xM16	51	M16	39	47	18	48	47-48	750kg



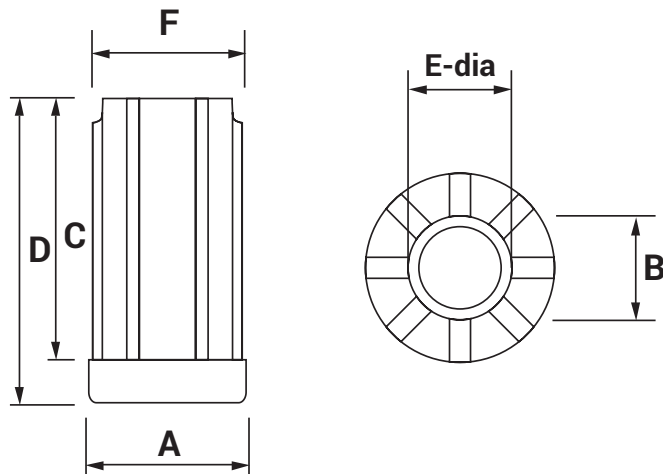
EQUIPMENT LEGS, FEET & TUBE CLOSURES

Square Threaded Tube Inserts - Stainless Steel



(G) Is Recommended ID Tube Sizes.

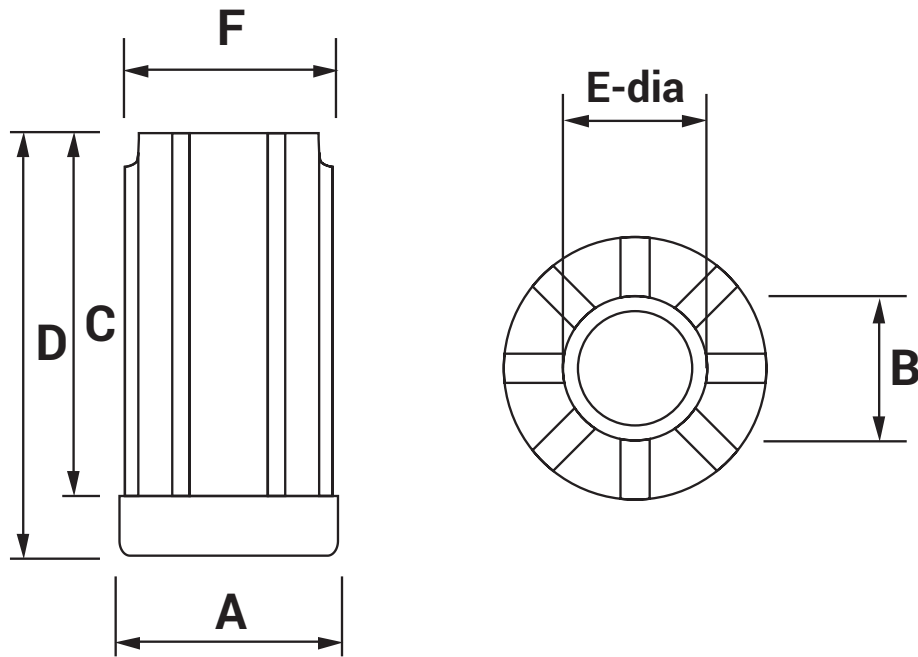
Stock Code	Size MM	A	B	C	D	E	F	G	Rating
11/19/M8	19XM8	19	M8	22.5	24.8	9	16	15-16	50KG
11/25/M8	25XM8	25	M8	39	44	10	23.5	22-23	250kg
11/25/M10	25XM10	25	M10	39	44	11	23.5	22-23	250kg
11/25/M12	25XM12	25	M12	39	44	13	23.5	22-23	250kg
11/25/M16	25XM16	25	M16	39	44	16.5	23.5	22-23	250kg
11/30/M8	30XM8	30	M8	39	45	10	26.8	26-27	350kg
11/30/M10	30XM10	30	M10	39	45	11	26.8	26-27	350kg
11/30/M12	30XM12	30	M12	39	45	13	26.8	26-27	350kg
11/30/M16	30XM16	30	M16	39	45	16.5	26.8	26-27	350kg
11/32/M8	32XM8	32	M8	39	45	10	30	28-29	350kg
11/32/M10	32XM10	32	M10	39	45	11	30	28-29	350kg
11/32/M12	32XM12	32	M12	39	45	13	30	28-29	350kg
11/32/M16	32XM16	32	M16	39	45	16.5	30	28-29	350kg
11/35/M8	35XM8	35	M8	39	45	11	32.2	31-32	350KG
11/35/M10	35XM10	35	M10	39	45	11	32.2	31-32	400kg
11/35/M12	35XM12	35	M12	39	45	13	32.2	31-32	400kg
11/35/M16	35XM16	35	M16	39	45	16.5	32.2	31-32	400kg
11/38/M8	38XM8	38	M8	41	45	10	36	35-36	500KG
11/38/M10	38XM10	38	M10	41	45	12	36	35-36	500kg
11/38/M12	38XM12	38	M12	41	45	13	36	35-36	500kg
11/38/M16	38XM16	38	M16	41	45	18	36	35-36	500kg
11/40/M10	40XM10	40	M10	39	45	11	36.8	36-37	350kg
11/40/M12	40XM12	40	M12	39	45	13	36.8	36-37	350kg
11/40/M16	40XM16	40	M16	39	45	16.5	36.8	36-37	350kg
11/51/M10	51XM10	51	M10	39	47	11	48	47-48	750kg
11/51/M12	51XM12	51	M12	39	47	13	48	47-48	750kg
11/51/M16	51XM16	51	M16	39	47	18	48	47-48	750kg
11/51/M20	51XM20	51	M20	39	47	18	48	47-48	750kg



Stock Code	Size MM	A	B	C	D	E	F	G	Rating
81/25/M8	25xM8	25	M8	38	46.5	11	23	22	100kg
81/25/M10	25xM10	25	M10	38	46.5	12	23	22	100kg
81/25/M12	25xM12	25	M12	38	46.5	14	23	22	100kg
81/32/M8	32xM8	32	M8	39	45	11	29.5	28-29	200KG
81/32/M10	32xM10	32	M10	39	45	12	29.5	28-29	250kg
81/32/M12	32xM12	32	M12	39	45	14	29.5	28-29	250kg
81/32/M16	32xM16	32	M16	39	45	18	29.5	28-29	250kg
81/38/M10	38xM10	38	M10	38	45	12	35.5	35-36	300kg
81/38/M12	38xM12	38	M12	38	45	14	35.5	35-36	300kg
81/38/M16	38xM16	38	M16	38	45	18	35.5	35-36	300kg
81/40/M8	40xM8	40	M8	39	45	11	36.8	36-37	350KG
81/40/M10	40xM10	40	M10	39	45	12	36.8	36-37	500KG
81/40/M12	40xM12	40	M12	39	45	14	36.8	36-37	500KG
81/40/M16	40xM16	40	M16	39	45	18	36.8	36-37	500KG
81/51/M12	51xM12	51	M12	38	45	14	48	47-48	450kg
81/51/M16	51xM16	51	M16	38	45	18	48	47-48	450kg
81/62/M16	62xM16	62	M16	38	45	18	60.5	60-61	450kg



EQUIPMENT LEGS, FEET & TUBE CLOSURES
 LT Long Threaded Round Tube Inserts



(G) Is Recommended ID Tube Sizes.

Stock Code	Size MM	A	B	C	D	E	F	G	Rating
LTR32/M10	32xM10	32	M10	39	45	11	29.5	28-29	250kg
LTR32/M12	32xM12	32	M12	39	45	13	29.5	28-29	250kg
LTR38/M10	38xM10	38	M10	38	44.5	18	35.5	35-36	300kg
LTR38/M12	38xM12	38	M12	38	45	18	35.5	35-36	300kg
LTR51/M12	51xM12	51	M12	38	45	18	48	47-48	450kg
LTR25/M12	25xM12	25	M12	38	46.5	14	23	22	100KG

CABINET & DRAWER HARDWARE
CRH Series Stainless Steel Drawers



A



B

	Code	Description	Features	Dimensions (W x D x H mm)
A	SSD-445435OF	Stainless steel drawer unit with key lock and double action slides. Outside flange allows unit to be easily attached to underside of a bench.	<ul style="list-style-type: none"> • 0.9mm 304 grade stainless steel drawer with 1.2mm casing. • Polished finish. • Lock with 2 keys supplied standard. • Full extension ball bearing zinc plated drawer slides. 	<ul style="list-style-type: none"> • Overall 445 x 435 x 210 • Inside Drawer 405 x 410 x 125 • Drawer Depth 150mm • Dimensions exclude 20mm flange
B	SSD-445435IF	Stainless steel drawer unit with key lock and double action slides. Inside flange allows unit to be easily attached to another to make a stackable unit.	<ul style="list-style-type: none"> • 0.9mm 304 grade stainless steel drawer with 1.2mm casing. • Polished finish. • Lock with 2 keys supplied standard. • Full extension ball bearing zinc plated drawer slides. 	<ul style="list-style-type: none"> • Overall 445 x 435 x 210 • Inside Drawer 405 x 410 x 125 • Drawer Depth 150mm



Features

- Zinc plated
- Double action
- Simple drawer removal
- Sold in pairs

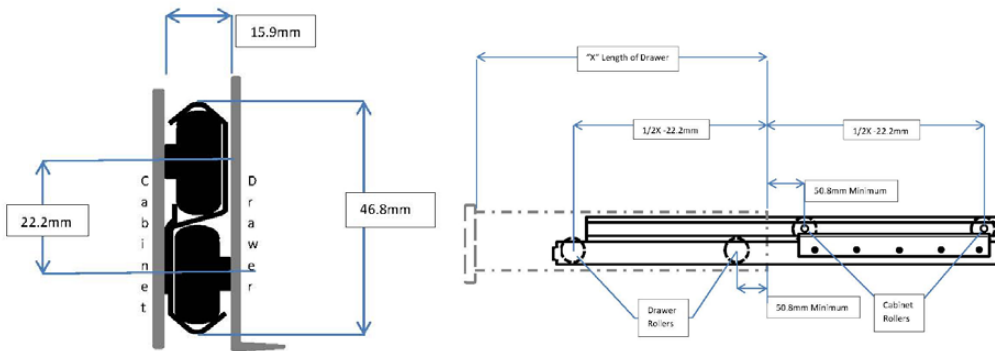
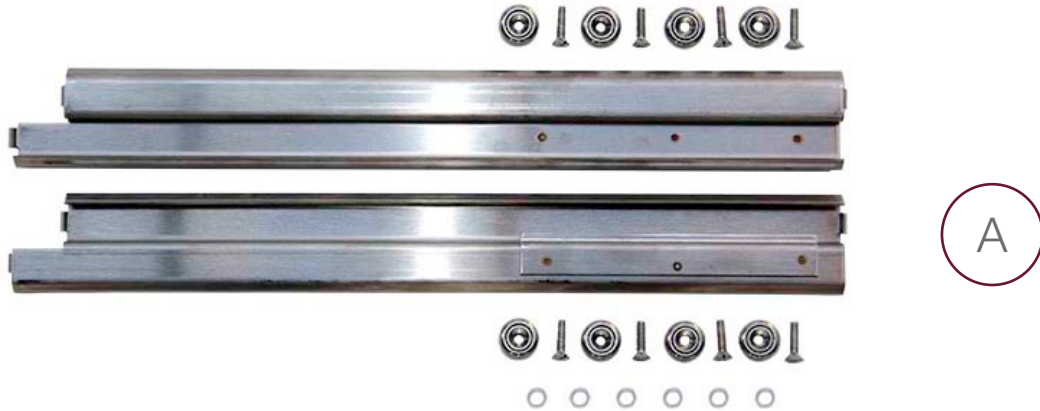


A

B

	Code	Description	Capacity KG	Dimensions (W x D x H mm)	Slides
A	545.24525.352	Zinc plated drawer slides 250mm	45kg	250mm x 45mm x 12mm	Ball bearing
	545.24530.352	Zinc plated drawer slides 300mm	45kg	300mm x 45mm x 12mm	Ball bearing
	545.24535.352	Zinc plated drawer slides 350mm	45kg	350mm x 45m x 12mm	Ball bearing
	545.24540.352	Zinc plated drawer slides 400mm	45kg	400mm x 45mm x 12mm	Ball bearing
	545.24545.352	Zinc plated drawer slide 450mm	45kg	450mm x 45m x 12mm	Ball bearing
	545.24550.352	Zinc plated drawer slides 500mm	45kg	500mm x 45mm x 12mm	Ball bearing
	545.24555.352	Zinc plated drawer slides 550mm	45kg	550mm x 45mm x 12mm	Ball bearing
	545.24560.352	Zinc plated drawer slides 600mm	45kg	600mm x 45mm x 12mm	Ball bearing
B	CS400ZP	Zinc plated drawer slide (Pair) soft close - 400mm	25 kg	400mm x 45mm x 12mm	
	CS450ZP	Zinc plated drawer slide (Pair) soft close - 450mm	25kg	450mm x 45mm x 12mm	
	CS500ZP	Zinc plated drawer slide (Pair) soft close - 500mm	25kg	500mm x 45mm x 12mm	
	CS550ZP	Zinc plated drawer slide (Pair) soft close - 550mm	25kg	550mm x 45mm x 12mm	

CABINET & DRAWER HARDWARE
CRH Series Drawer Slides

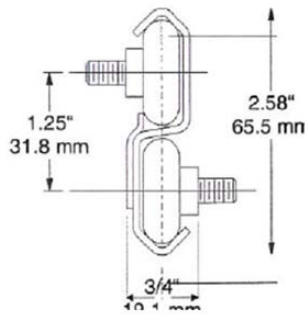


	Code	Description	Capacity KG	Dimensions (W x D x H mm)
A	K26-00414	Kason 260 Series stainless steel drawer slide (pair) - 350mm	45kg	350mm x 46.8mm x 15.9mm
	K26-00416	Kason 260 Series stainless steel drawer slide (pair) - 400mm	45kg	400mm x 46.8mm x 15.9mm
	K26-00418	Kason 260 Series stainless steel drawer slide (pair) - 450mm	45kg	450mm x 46.8mm x 15.9mm
	K26-00420	Kason 260 Series stainless steel drawer slide (pair) - 508mm	45kg	508mm x 46.8mm x 15.9mm
	K26-00422	Kason 260 Series stainless steel drawer slide (pair) - 559mm	45kg	559mm x 46.8mm x 15.9mm
	K26-00424	Kason 260 Series stainless steel drawer slide (pair) - 610mm	45kg	610mm x 46.8mm x 15.9mm
	K26-00426	Kason 260 Series stainless steel drawer slide (pair) - 660mm	45kg	660mm x 46.8mm x 15.9mm

Features

- Extra heavy duty
- Full extension for easy access to drawer
- Sold in pairs
- All stainless steel

S52-X001 Stainless steel Ball Bearing Wheel Stud With Screw available as spare part, see separate listing



	Code	Description	Capacity KG	Dimensions (W x D x H mm)	Slides
A	K0520420	Kason heavyduty slide stainless steel drawer	90kg	559mm x 62mm x 19mm	SS Ball Bearing wheels
	K0520422	Kason heavyduty slide stainless steel drawer	90kg	559mm x 62mm x 19mm	SS Ball Bearing wheels
	K0520424	Kason heavyduty slide stainless steel drawer	90kg	610mm x 62mm x 19mm	SS Ball Bearing wheels
	K0520426	Kason heavyduty slide stainless steel drawer	90kg	660mm x 62mm x 19mm	SS Ball Bearing wheels
	S52-X001	Stainless steel ball bearing wheel stud for Kason K052 series slides			
B	S26-Y001	S/S 19mm wheel, bearing and screw			

Features

- 202 Stainless Steel Slide
- Stainless Steel bearings
- Double action
- Simple drawer removal
- Sold in pairs



Features

- Extra heavy duty
- Full extension for easy access to drawer
- Sold in pairs
- All stainless steel

S52-X001 Stainless steel Ball Bearing
 Wheel Stud With Screw available as spare part, see separate listing.

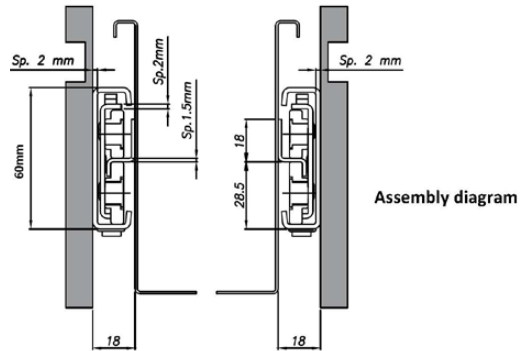
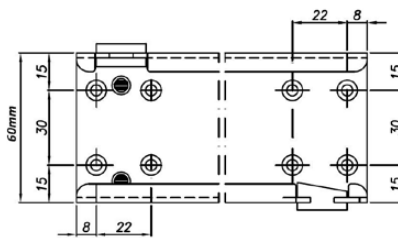
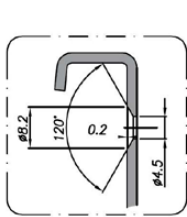


	Code	Description	Capacity KG	Dimensions (W x D x H mm)	Slides
A	CS400SS 202	Stainless steel double action drawer slides 400mm	45kg	400mm x 45mm x 12mm	S/S Ball bearing
	CS450SS 202	Stainless steel double action drawer slides 450mm	45kg	450mm x 45mm x 12mm	S/S Ball bearing
	CS500SS 202	Stainless steel double action drawer slides 500mm	45kg	500mm x 45mm x 12mm	S/S Ball bearing
	CS550SS 202	Stainless steel double action drawer slides 550mm	45kg	550mm x 45mm x 12mm	S/S Ball bearing
	CS600SS 202	Stainless steel double action drawer slides 600mm	45kg	600mm x 45mm x 12mm	S/S Ball bearing
	CS650SS 202	Stainless steel double action drawer slides 650mm	45kg	650mm x 45mm x 12mm	S/S Ball bearing
B	TO-9100-18	Stainless steel drawer slides 455mm	50-60kg	455mm x 78mm x 13mm	S/S Ball bearing
	TO-9100-20	Stainless steel drawer slides 505mm	50-60kg	505mm x 78mm x 13mm	S/S Ball bearing
	TO-173L	Stainless steel drawer slides 600mm	50-60kg	600mm x 78mm x 13mm	S/S Ball bearing
	TO-173N	Stainless steel drawer slide 450mm	50kg	450mm x 78mm x 13mm	S/S Ball bearing

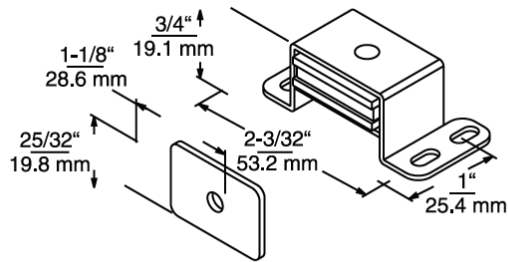
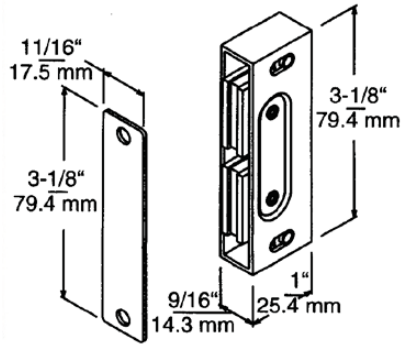


Features

- Stainless Steel Brilliant Finish
- Acetal Homopolymer Resin Rollers
- Simple drawer removal
- Sold in pairs



Code	Description	Capacity KG	Dimensions (W x D x H mm)	Slides
GT013140	304 stainless steel drawer slide with 60mm extra run - 400mm	50 kg	400mm x 60mm x 18mm	Ball Bearing
GT013145	304 stainless steel drawer slide with 60mm extra run - 450mm	50kg	450mm x 60mm x 18mm	Ball Bearing
GT013150	304 stainless steel drawer slide with 60mm extra run - 500mm	50kg	450mm x 60mm x 18mm	Ball Bearing
GT013155	304 stainless steel drawer slide with 60mm extra run - 550mm	50kg	550mm x 60mm x 18mm	Ball Bearing
GT013160	304 stainless steel drawer slide with 60mm extra run - 600mm	45kg	600mm x 60mm x 18mm	Ball Bearing
GT013165	304 stainless steel drawer slide with 60mm extra run - 650mm	45kg	650mm x 60mm x 18mm	Ball Bearing
GT013170	304 stainless steel drawer slide with 60mm extra run - 700mm	40kg	700mm x 60mm x 18mm	Ball Bearing
GT013175	304 stainless steel drawer slide with 60mm extra run - 750mm	40kg	750mm x 60mm x 18mm	Ball Bearing

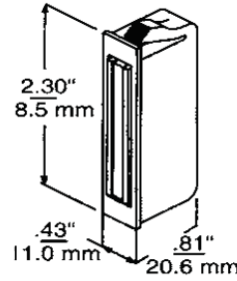


	Code	Description	Material	Mounting
A	MAGNET-D	Heavy duty double magnet.	Aluminium housing. Zinc plated steel pole plate and strike.	13.6kg (30lb) pull.
B	MAGNET-S	Single magnet.	Aluminium housing. Zinc plated steel pole plate and strike.	5.5kg (12lb) pull.





A

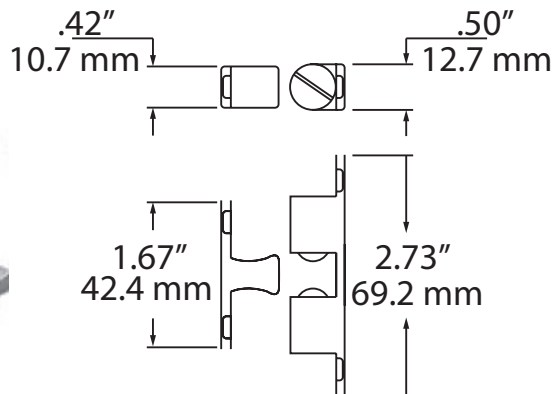
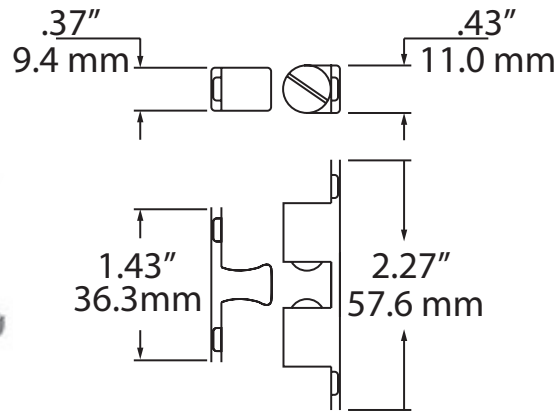


B



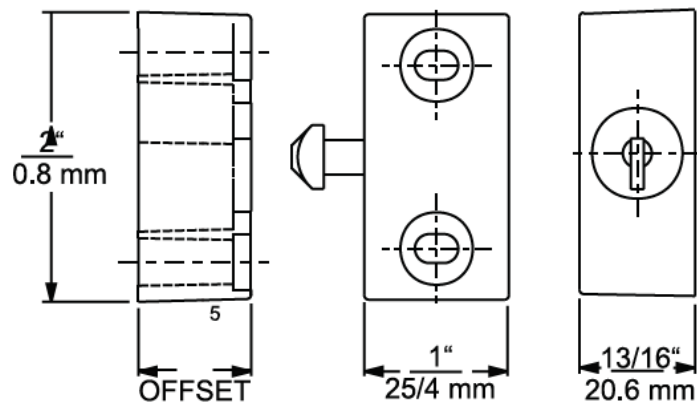
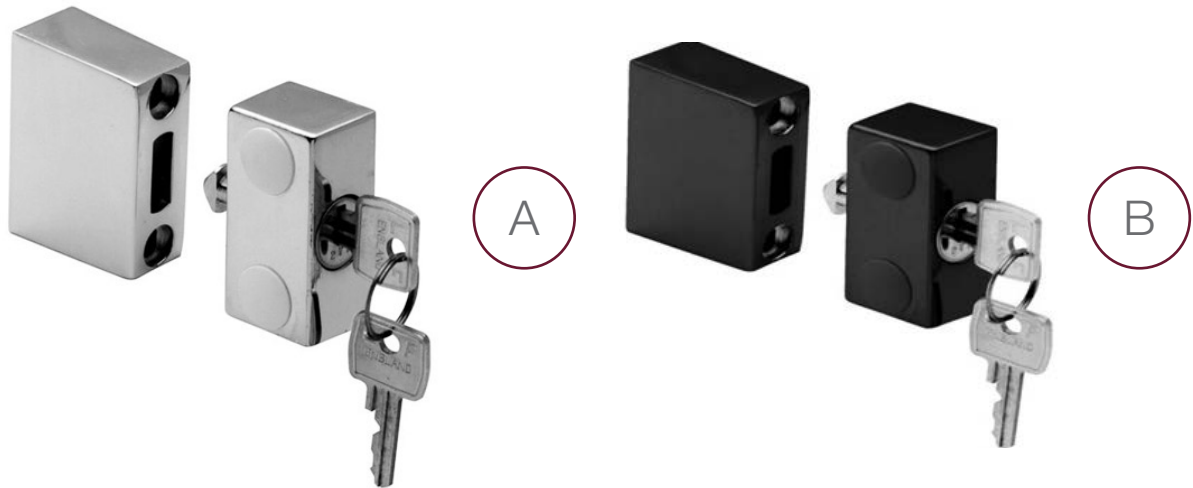
C

	Code	Description	Material	Mounting
A	7314000301	Round snap in magnet.	Black polypropylene.	Snaps into a 22mm diameter opening.
B	7314000302	Snap in single magnet.	Black polypropylene.	Snaps into a 9.6mm x 57.2mm rectangular opening.
C	K7314000401	Kason double heavy duty magnet, 13 kg pull weight	Mill	Aluminum housing, zinc plated pole plate & strike.



	Code	Description	Material	Mounting
A	7315-301	Door catch. Standard duty. Adjustable spring loaded ball tension.	Solid brass body, stainless steel balls. Satin nickel finish.	Mortise or surface mount.
B	7315-302	Door catch. Heavy duty. Adjustable spring loaded ball tension.	Solid brass body, stainless steel balls. Satin nickel finish.	Mortise or surface mount.





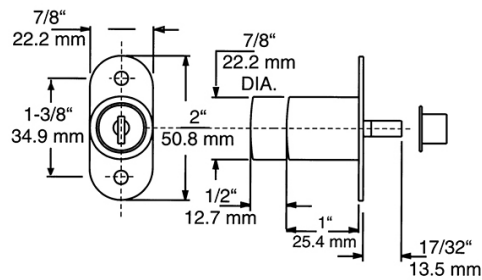
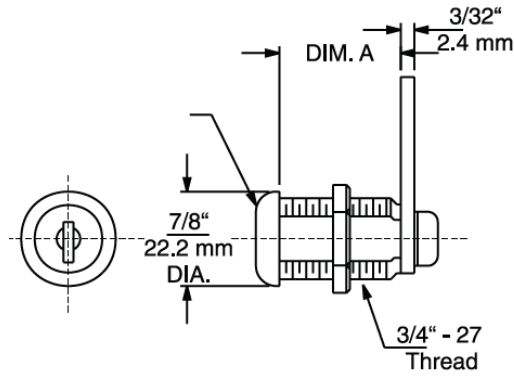
	Code	Description	Features	Dimensions
A	100SL	Kason security block lock.	Four disc cylinder. Chrome plated zamak body with steel faced cylinder. Vertical and horizontal adjustments. 2 Keys Supplied.	50mm x 22mm x 25mm
B	100SLB	Kason security block lock.	Four disc cylinder. Black powder coated zamak body with steel faced cylinder. Keyed alike. Vertical and horizontal adjustments. 2 Keys Supplied.	50mm x 22mm x 25mm

Material

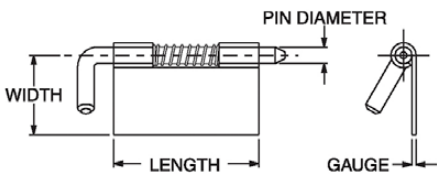
- Die-cast zinc.

Mounting

- Through double D hole.
Fastens with hex nut.



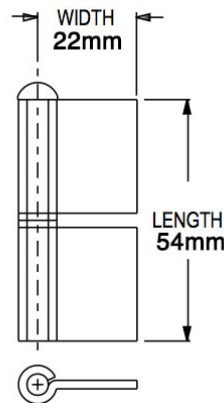
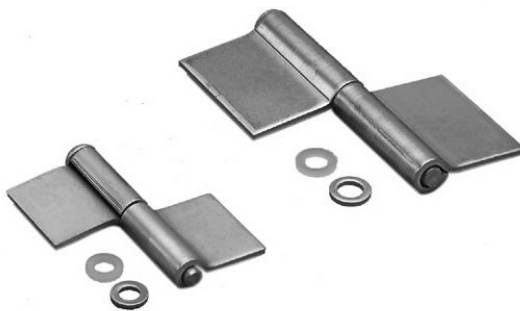
	Code	Description	Cylinder Depth	Features
A	7600000500	Kason utility lock. Polished chrome.	15.8mm (5/8")	Disc cylinder Key removable in locked or unlocked position Two brass keys included.
	7600000501	Kason utility lock. Polished chrome.	22.2mm (7/8")	
	7600000502	Kason utility lock. Polished chrome.	28.6mm (1 1/8")	
	7600000503	Kason utility lock. Polished chrome.	34.9mm (1 3/8")	
B	K760400	Kason nickel plated plunger lock. Solid brass body, stainless steel balls. Satin nickel finish.		Five disc cylinder, push in bolt receiver for bypassing doors 19mm thick or over. Locking cylinder cannot be removed without key. Two brass keys included. Drilled for 3.0mm screw.



A



B



C

	Code	Description	Opening Dimensions	Pin Diameter
A	7304000008	Stainless steel latch hinge.	22.2mm x 50.8mm x 1.3mm	4.8mm
	7304000010	Stainless steel latch hinge.	25.4mm x 69.9mm x 1.6mm	6.4mm
B	7306L00004	Stainless steel lift off hinge. Left opening	44mm x 50mm x 1.9mm	4.6mm
	7306L00006	Stainless steel lift off hinge. Left opening	50mm x 76mm x 1.9mm	4.8mm
	7306R00004	Stainless steel lift off hinge. Right opening	44mm x 50mm x 1.9mm	4.6mm
	7306R00006	Stainless steel lift off hinge. Right opening	50mm x 76mm x 1.9mm	4.8mm
C	K730704	Stainless steel lift off flag hinge. Swedged knuckle nylon bearing.	22mm x 54mm x 1.9mm	4.8mm
	K730706	Stainless steel lift off flag hinge. Swedged knuckle nylon bearing.	28mm x 79mm x 1.9mm	6.4mm

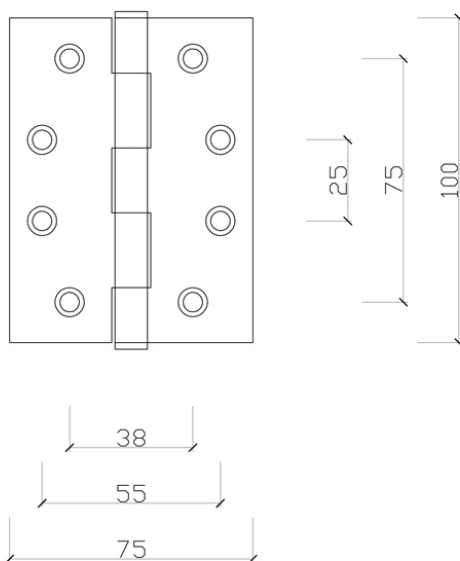


Code	Description	Open Hinge Dimensions (W x L x Gauge)	Pin Diameter (mm)
7301035106	Stainless steel continuous hinge.	27mm x 1829mm x 0.9mm	2.5mm
05165	Stainless steel continuous hinge.	32mm x 1800mm x 1.2mm	3.2mm
05200	Stainless steel continuous hinge.	38mm x 1800mm x 1.2mm	3.2mm
7301035150	Stainless steel continuous hinge.	38mm x 1829mm x 1mm	3.2mm
7301040200	Stainless steel continuous hinge.	50mm x 1829mm x 1mm	3.2mm
05141	Stainless steel continuous hinge	50mm x 1800mm x 1.2mm	3.2mm
05085	Stainless steel continuous hinge.	57mm x 1800mm x 1.6mm	4.5mm
05016	Stainless steel continuous hinge.	63mm x 1800mm x 1.6mm	4.5mm
05041	Stainless steel continuous hinge.	127mm x 2000mm x 1.6mm	4.5mm
05252	Stainless steel continuous hinge.	76mm x 2160mm x 1.6mm	4.5mm

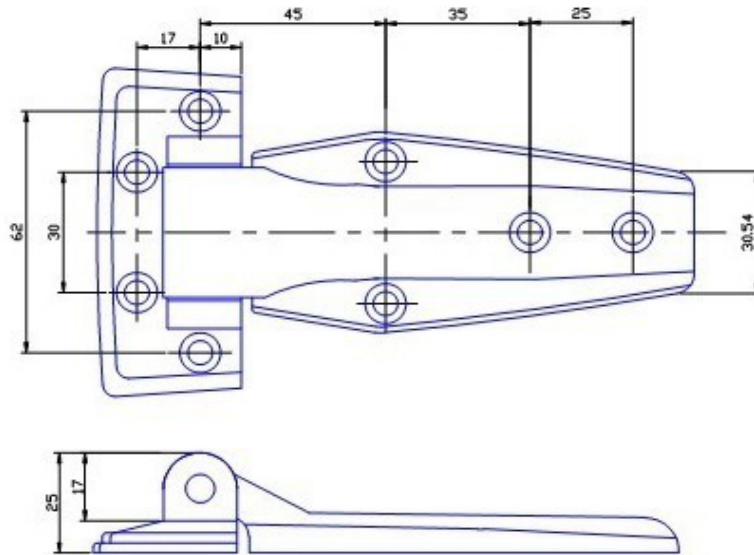




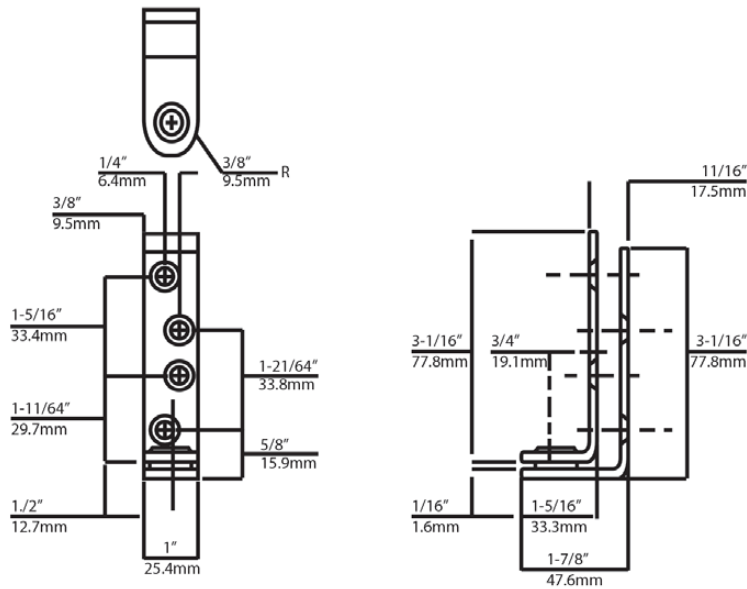
	Opening Dimensions	Pin Diameter	Material
A	P11ZLHMSPINK	CRH P11 Cam-Rise Self Closing Hinge Set (Pair), Left Hand, MS - Chrome, with Packer	Pressure die-cast zinc, mild steel pin
	P11ZLHMSPIN-50	CRH P11 Cam-Rise Self Closing Left Hand Hinge, MS, Chrome, with Packer. Box of 50.	Pressure die-cast zinc, mild steel pin
	P11ZRHMSPIK	CRH P11 Cam-Rise Self Closing Hinge Set (Pair), RH, MS - Chrome, with Packer	Pressure die-cast zinc, mild steel pin
	P11ZRHMSPIN-50	CRH P11 Right Hand Cam Rise Self Closing Hinge, MS - Chrome, with Packer. Box of 50	Pressure die-cast zinc, mild steel pin
	P11ZLHSSPIK	CRH P11 Cam-Rise Self Closing Hinge Set (Pair), LH, S/S - Chrome with Packer	Pressure die-cast zinc, stainless steel pin
	P11ZLHSSPIN-50	CRH P11 Left Hand Cam Rise Self Closing Hinge, S/S Pin - Chrome, with Packer. Box of 50	Pressure die-cast zinc, stainless steel pin
	P11ZRHSSPIK	CRH P11 Cam-Rise Self Closing Hinge Set (Pair), RH, S/S - Chrome, with Packer	Pressure die-cast zinc, stainless steel pin
	P11ZRHSSPIN-50	CRH P11 Right Hand Cam Rise Self Closing Hinge, S/S Pin - Chrome, with Packer. Box of 50	Pressure die-cast zinc, stainless steel pin
B	P11ZLHMSBK	CRH P11 Cam-Rise Self Closing Hinge Set (Pair), Left Hand - Black, with Packer	Pressure die-cast zinc, mild steel.
	P11ZLHMSB-50	CRH P11 Left Hand Cam Rise Self Closing Hinge, MS - Black, with Packer. Box of 50	Pressure die-cast zinc, mild steel.
	P11ZRHMSBK	CRH P11 Cam-Rise Self Closing Hinge Set (Pair), RH - Black, with Packer	Pressure die-cast zinc, mild steel.
	P11ZRHMSB-50	CRH P11 Right Hand Cam Rise Self Closing Hinge, MS - Black, with Packer. Box of 50	Pressure die-cast zinc, mild steel.
C	P12-LHS	CRH P12 Spring Loaded Cam-Rise Hinge, LH	Composite
	P12-RHS	CRH P12 Spring Loaded Cam-Rise Hinge, RH	Composite



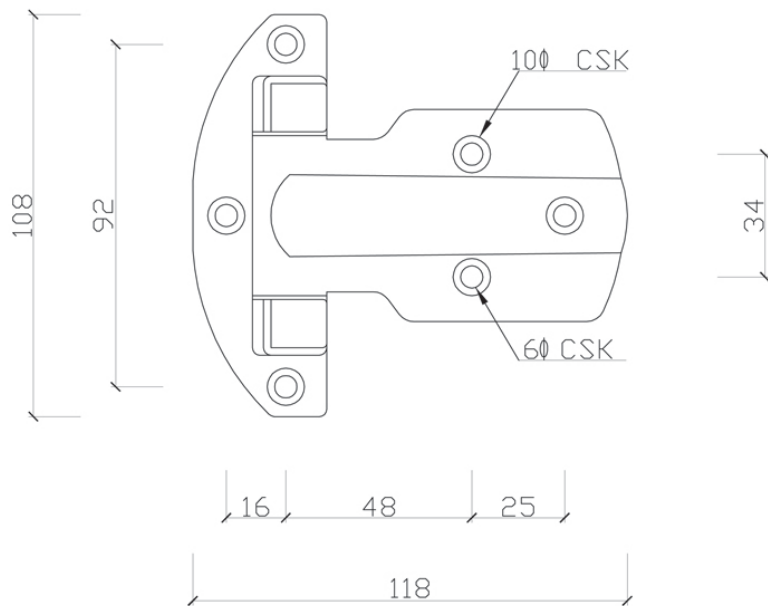
Code	Description	Material
80149S	S/S butt hinge with fixed pin. 100mm x 75mm x 2mm	Stainless steel (304)
80249S	S/S butt hinge with removable pin. 100mm x 75mm x 2mm	Stainless steel (304)



Code	Description	Material
AH-714	Flush cabinet hinge, 145mm long	Die-cast aluminium

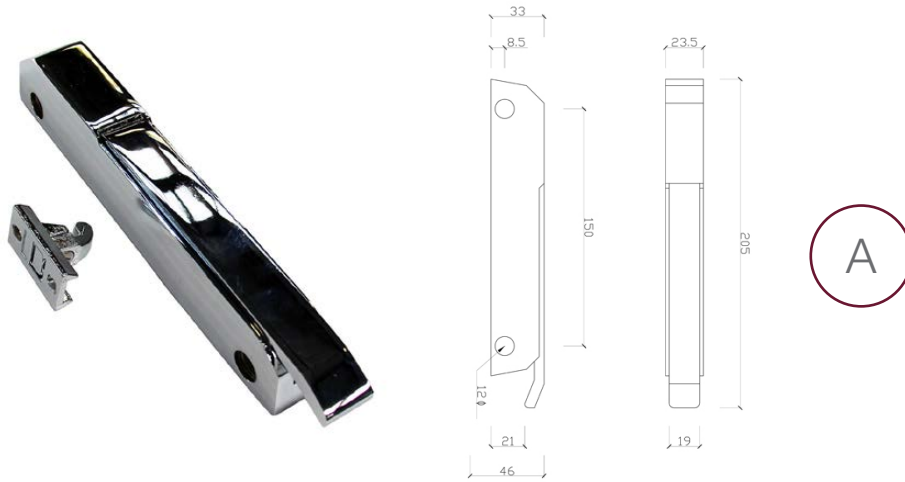


Code	Description	Material
K7305-76	Kason S/S pivot hinge	Stainless steel (304)



Code	Description	Material
CRH40X	CRH adjustable hinge, 19mm - 25mm adjustable offset	Pressure die-cast zinc

CABINET & DRAWER HARDWARE
CRH Series Cabinet Latches & Strikes



	Code	Description	Colour	Material
A	CRH6188NX	CRH edgemount latch & strike	Chrome plated.	Pressure die-cast zinc
	CRH6188NXSS	Low profile stainless steel edgemount latch & strike without locking facility.	Stainless steel brilliant finish	316 stainless steel
B	CRH6188LX	CRH edgemount latch & strike, with lock	Chrome plated	Pressure die-cast zinc
	CRH6188LXSS	Low profile stainless steel edgemount latch & strike with cylinder lock.	Stainless steel brilliant finish	316 stainless steel



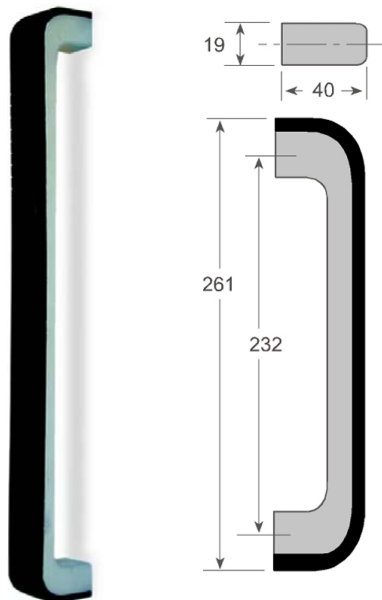


A

	Code	Description
A	K81204	Kason cam action oven latch & strike. For flush doors. Insulated handle.



A



B

	Code	Description	Material	Length	Height
A	D Handle D Handle C	Pull handle. 102mm centres with screws Pull handle. 96mm centres.	Die cast chrome plate Die cast chrome plate	112mm 105mm	- -
B	E222	Chrome plated zamak handle with black ABS front cover, 61mm with 232mm hole centres front mounting	Zamak & plastic		

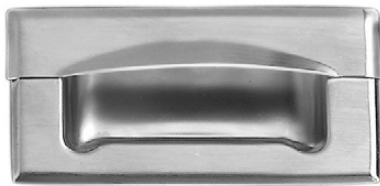




A



C



B



D

	Code	Description	Material	Length	Height
A	DO-102	Stainless steel drawer pull. Flush type for welding.	Stainless Steel	121mm	62mm
B	DO-103	Stainless steel drawer pull, full grip with frame, beveled edge and retainer lock nuts. 102mm centres with screws.	Stainless Steel	124mm	62mm
C	TO-106	Stainless steel flush pull, recessed. 102mm centres with screws.	Stainless Steel	121mm	62mm
D	TO-106R	Stainless steel flush pull, recessed. Diameter: 102mm through studs with lock nuts.	Stainless Steel	-	-



A



D



B



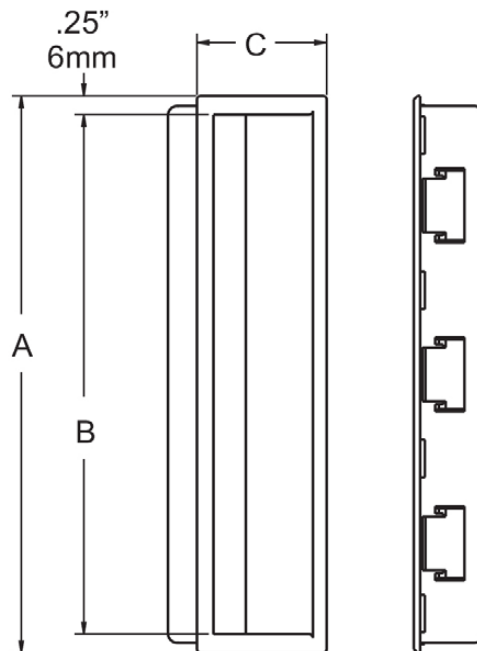
E



C

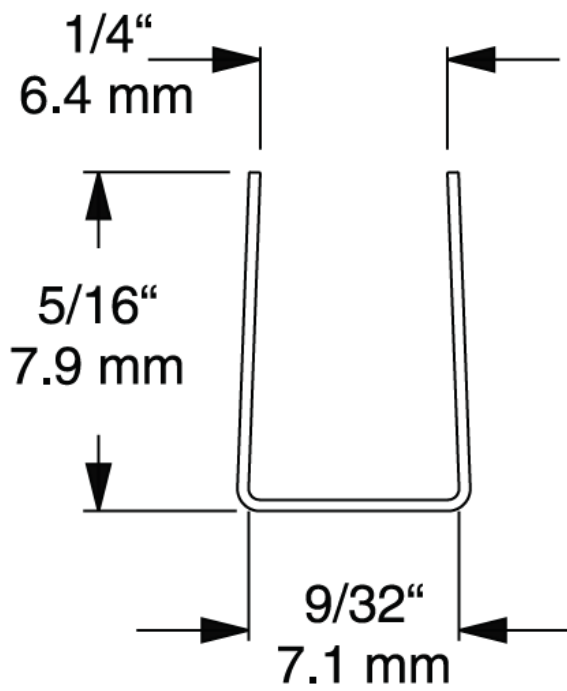
	Code	Description
A	H01X	Pull Handle - 100mm x 300mm x 2mm fixing plate with 19mm OD x 200mm tubular handle.
B	H02X	Pull Handle - 100mm x 300mm x 2mm fixing plate with 19mm OD x 200mm tubular handle. Push Plate - 100mm x 300mm x 2mm
C	H01X-FS Red & Green	Colour-coded food safe door handle kit to help prevent food cross-contamination in commercial kitchens. CRH Tubular Pull Handle - 100mm x 300mm x 2mm fixing plate with 19mm OD x 200mm tubular handle. Includes powder-coated fixing rivets.
D	H01X-FSR Red	Colour-coded food safe door handle to help prevent food cross-contamination in commercial kitchens. CRH Tubular Pull Handle - 100mm x 300mm x 2mm fixing plate with 19mm OD x 200mm tubular handle. Includes powder-coated fixing Rivets.
E	H01-FSG Green	Colour-coded food safe door handle to help prevent food cross-contamination in commercial kitchens. CRH Tubular Pull Handle - 100mm x 300mm x 2mm fixing plate with 19mm OD x 200mm tubular handle. Includes powder-coated fixing Rivets.





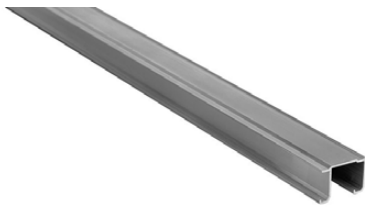
Code	A	B	C	Panel Thickness	Cut-Out
K905-4	189	177	44	.030"	181 x 39.5
K905-52	138	127	36	.055" to .070"	131 x 31
K905-31	92	83	36	.040" to .055"	87 x 30.5

Code	Description	Material
K905-31	Kason recessed snap in handle 92mm.	Black Plastic
K905-52	Kason recessed snap in handle 138mm.	Black Plastic
K905-4	Kason recessed snap in handle 189mm.	Black Plastic

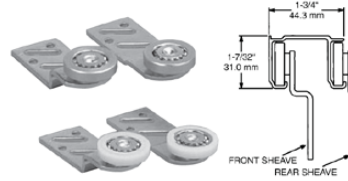


Code	Description	Features	Dimensions
GLASS CAP	Stainless steel glass capping.	3658mm (12') lengths.	For application to 4.8mm (3/16") material.





A



B



C



D



E

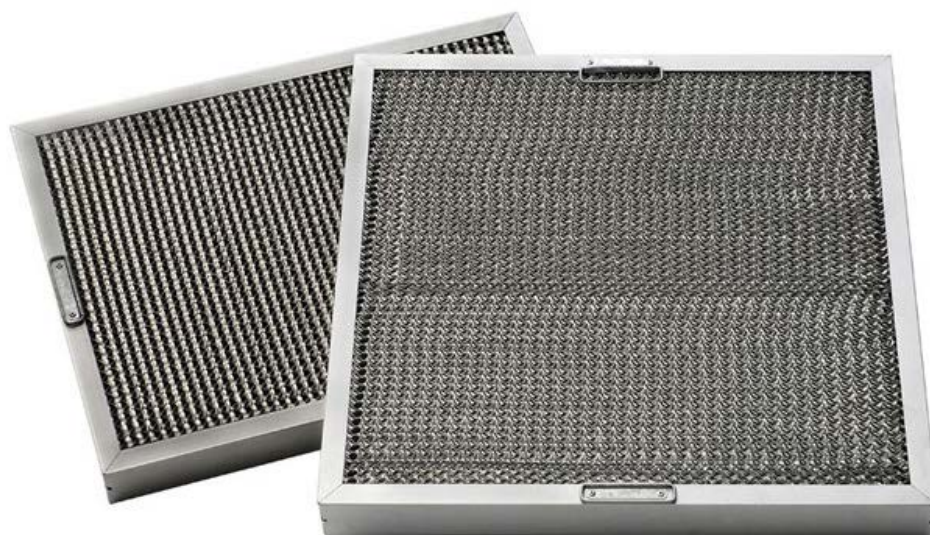


F



G

	Code	Description	Material
A	7318-144	Overhead sliding door track 3650mm (12ft) Aluminium.	3650mm lengths but can be cut to 2 x 1825mm lengths, please ask when ordering.
B	7318-4	Front door sheave to suit 19mm door. Steel wheel.	Zinc plated with stainless steel bearing and steel wheel.
C	7318-5	Rear door sheave to suit 19mm door. Nylon wheel.	Zinc plated with stainless steel bearing and nylon wheel.
	7318-6	Rear door sheave to suit 19mm door. Steel wheel.	Zinc plated with stainless steel bearing and steel wheel.
D	7318-7	Rear door sheave to suit 19mm door. Nylon wheel.	Zinc plated with stainless steel bearing and nylon wheel.
E	7318-10	Door guide for 19mm door.	Nylon
F	7318-11	Spring loaded guide pin with push on speed nuts.	Zinc plated.
G	7318-9	Door stop.	Zinc plated steel with rubber bumper.



Code	Description
KF01	Aluminium honeycomb grease filter Size: 495mm x 394mm x 50mm Handles included.
KF02	Aluminium honeycomb grease filter Size: 495mm x 495mm x 50mm Handles included.
KF03	Aluminium honeycomb grease filter Size: 622mm x 394mm x 50mm Handles included.
KF04	Aluminium honeycomb grease filter Size: 622mm x 495mm x 50mm Handles included.
KF06	Aluminium honeycomb grease filter Size: 597mm x 597mm x 50mm Handles included.
KF09	Aluminium honeycomb grease filter Size: 254mm x 495mm x 50mm Handles included.





Multi Action Safety Features

- Baffle filters provide safe and dependable proven barrier protection.
- Baffle filters provide efficient and proven grease removal.
- Baffle filters will not allow grease build up.
- The high-velocity air flow provides a "self-cleaning" action.
- Special openings allow grease to continually drain and run off from filter.

Improved Air Balance.

- The filter design provides a self balancing air flow through each filter allowing filter positioning to provide a good capture velocity where it is required, using considerably less volume of exhaust air.
- With low pressure drop filters it is necessary to pull more air through the central filters to get good smoke and grease velocity at the ends of the canopy.

Code	Description
FB45-394X495SS	Stainless steel baffle grease filter 394mm x 495mm x 45mm
FB45-495x495SS	Stainless steel baffle grease filter 495mm x 495mm x 45mm

COMMERCIAL KITCHEN HARDWARE
Steam Pans



A



B

	Code	Description
A	SSP-1/1 20	Full size pan - 20mm deep. Size: 530mm x 325mm x 20mm. Dimensions are approximate only and may vary due to supply.
B	SSP-1/1 20P	Full size pan - 20mm deep. Perforated Size: 530mm x 325mm x 20mm. Dimensions are approximate only and may vary due to supply.



A



B

	Code	Description
A	SSP-1/1 65	Full size pan - 65mm deep. Size: 530mm x 325mm x 65mm. Dimensions are approximate only and may vary due to supply.
B	SSP-1/1 65P	Full size pan - 65mm deep. Perforated Size: 530mm x 325mm x 65mm. Dimensions are approximate only and may vary due to supply.



A



B

	Code	Description
A	SSP-1/1 100	Full size pan - 100mm deep. Size: 530mm x 325mm x 100mm. Dimensions are approximate only and may vary due to supply.
B	SSP-1/1 100P	Full size pan - 65mm deep. Perforated Size: 530mm x 325mm x 100mm. Dimensions are approximate only and may vary due to supply.





A



B



C

	Code	Description
A	SSP-1/1 150	Full size pan - 150mm deep. Size: 530mm x 325mm x 150mm. Dimensions are approximate only and may vary due to supply.
B	SSP-1/1 150P	Full size pan - 150mm deep. Perforated Size: 530mm x 325mm x 150mm. Dimensions are approximate only and may vary due to supply.
	SSP-1/2 100P	Half size pan - 100mm deep. Perforated Size: 325mm x 265mm x 100mm. Dimensions are approximate only and may vary due to supply.
	SSP-1/2 150P	Half size pan - 150mm deep. Perforated Size: 325mm x 265mm x 150mm. Dimensions are approximate only and may vary due to supply.
C	SSP-1/1 COVER	Full size lid only. Size: 530mm x 325mm. Dimensions are approximate only and may vary due to supply.



A



B



C



D

	Code	Description
A	SSP-2/3 65	Two third size pan - 65mm deep. Size: 352mm x 325mm x 65mm. Dimensions are approximate only and may vary due to supply.
B	SSP-2/3 100	Two third size pan - 100mm deep. Size: 352mm x 325mm x 100mm. Dimensions are approximate only and may vary due to supply.
C	SSP-2/3 150	Two third size pan - 150mm deep. Size: 352mm x 325mm x 150mm. Dimensions are approximate only and may vary due to supply.
D	SSP-2/3 COVER	Two third size lid only Size: 352mm x 325mm. Dimensions are approximate only and may vary due to supply.





A



B



C

	Code	Description
A	SSP-1/2 65	Half size pan - 65mm deep. Size: 325mm x 265mm x 65mm. Dimensions are approximate only and may vary due to supply.
B	SSP-1/2 65P	Half size pan - 65mm deep. Perforated Size: 325mm x 265mm x 65mm. Dimensions are approximate only and may vary due to supply.
C	SSP-1/2 100	Half size pan - 100mm deep. Size: 325mm x 265mm x 100mm. Dimensions are approximate only and may vary due to supply.



A



B

	Code	Description
A	SSP-1/2 150	Half size pan - 150mm deep. Size: 325mm x 265mm x 150mm. Dimensions are approximate only and may vary due to supply.
B	SSP-1/2 COVER	Half size lid only. Size: 325mm x 265mm. Dimensions are approximate only and may vary due to supply.





A



B



C

	Code	Description
A	SSP-1/3 65	One third size pan - 65mm deep. Size: 325mm x 176mm x 65mm. Dimensions are approximate only and may vary due to supply.
	SSP-1/3 100	One third size pan - 100mm deep. Size: 325mm x 176mm x 100mm. Dimensions are approximate only and may vary due to supply.
B	SSP-1/3 150	One third size pan - 150mm deep. Size: 325mm x 176mm x 150mm. Dimensions are approximate only and may vary due to supply.
C	SSP-1/3 COVER	One third size lid only. Size: 325mm x 176mm. Dimensions are approximate only and may vary due to supply.



A



B

	Code	Description
A	SSP-1/4 65	Quarter size pan - 65mm deep. Size: 265mm x 162mm x 65mm. Dimensions are approximate only and may vary due to supply.
	SSP-1/4 100	Quarter size pan - 100mm deep. Size: 265mm x 162mm x 100mm. Dimensions are approximate only and may vary due to supply.
	SSP-1/4 150	Quarter size pan - 150mm deep. Size: 265mm x 162mm x 150mm. Dimensions are approximate only and may vary due to supply.
B	SSP-1/4 COVER	Quarter size lid only. Size: 265mm x 162mm. Dimensions are approximate only and may vary due to supply.



A



C



B



D

	Code	Description
A	SSP-1/6 65	One sixth size pan 65mm deep. Size: 175mm x 161mm x 65mm. Dimensions are approximate only and may vary due to supply.
B	SSP-1/6 100	One sixth size pan 100mm deep. Size: 175mm x 161mm x 100mm. Dimensions are approximate only and may vary due to supply.
C	SSP-1/6 150	One sixth size pan 150mm deep. Size: 175mm x 161mm x 150mm. Dimensions are approximate only and may vary due to supply.
D	SSP-1/6 COVER	One sixth size lid only. Size: 175mm x 161mm. Dimensions are approximate only and may vary due to supply.



A



B



C

	Code	Description
A	SSP-1/9 65	One ninth size pan 65mm deep. Size: 176mm x 108mm x 65mm. Dimensions are approximate only and may vary due to supply.
B	SSP-1/9 100	One ninth size pan 100mm deep. Size: 176mm x 108mm x 100mm. Dimensions are approximate only and may vary due to supply.
C	SSP-1/9 COVER	One ninth size lid only. Size: 176mm x 108mm. Dimensions are approximate only and may vary due to supply.





A



B



B



B

	Code	Description
A	CDCSF2000SS	Modular cup dispenser. Stainless steel faced polypropylene body. For in-counter/cabinet mounting. Fits cup rim sizes 57mm to 117mm. Includes #8, #8A and #8B black gaskets. Length: 540mm cut out: 140mm diameter.
B	CD1915952	Modular Cup Dispenser Gasket for CDCSF2000SS. Suits 89mm - 113mm Cup Rim Diameter
C	CD1915730	Modular Cup Dispenser Gasket For CDCSF2000SF. Suits 76mm - 92mm Cup Lip Diameter
D	CD1916065	Modular Gasket For CDCSF2000SS Cup Dispenser, Black. Suits 57mm - 79mm Cup Rim Diameter.



A



B

	Code	Description
A	CDC2410CSST	Stainless steel cup dispenser. For in counter/cabinet mounting. Fits cup rim size 57mm to 117mm. 540mm long 120mm diameter cut out
B	CDC SS GASKKIT	Gasket Kit for CDC2410CSST cup dispenser including 3 x gaskets and screws. Gasket Colour: Opaque White. Outside diameter: 159mm Inside diameter: Small - 54mm, Medium - 68mm, Large - 78mm

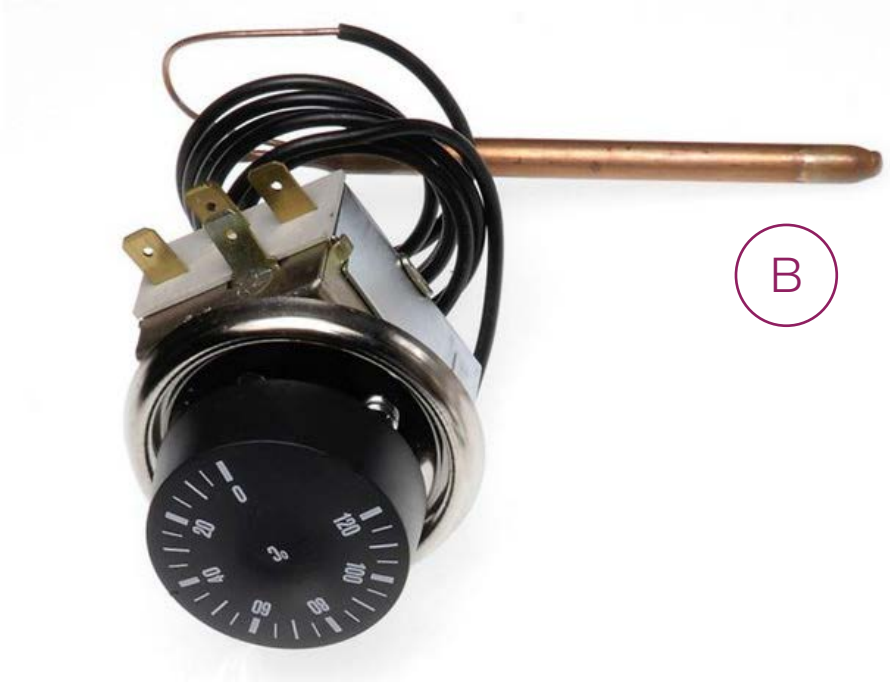


A

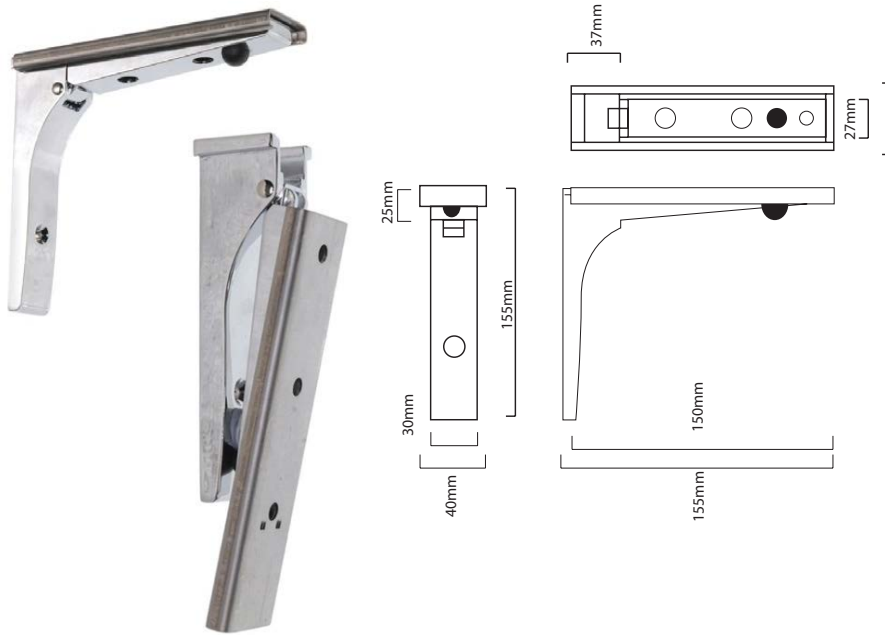


B

	Code	Description
A	7011	Toggle switch. 20 amp 240V SPST.
	7021	Toggle switch. 10 amp 240V DPST.
B	NO24W R	Pilot light – Red
	NO24W G	Pilot light –Green.



	Code	Description
A	R210-C5L-BR	Illuminated rocker switch.
B	TR2-540168	Thermostat kit. 0 to 120°C 15 amp. Includes knob and bezel.



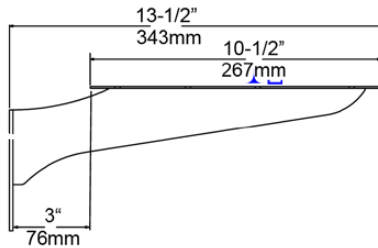
A



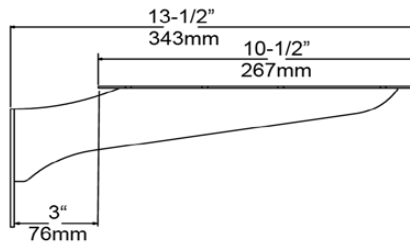
B

	Code	Description
A	4270S	Fold down shelf bracket. Top Length 180mm x 45mm. Chrome plated with stainless steel shelf mount. Load rating 113.5kg dead weight using 254mm wide shelf with a pair of brackets mounted 610mm apart.
B	K6031000005	Kason drop down tray slide bracket. 8 gauge stainless steel with #4 satin finish. Three rail saddle. Supports 25mm (1") OD Rails. Mounting holes 10mm (3/8") diameter.

COMMERCIAL KITCHEN HARDWARE
Shelf Brackets/Order Holder



A



B



C

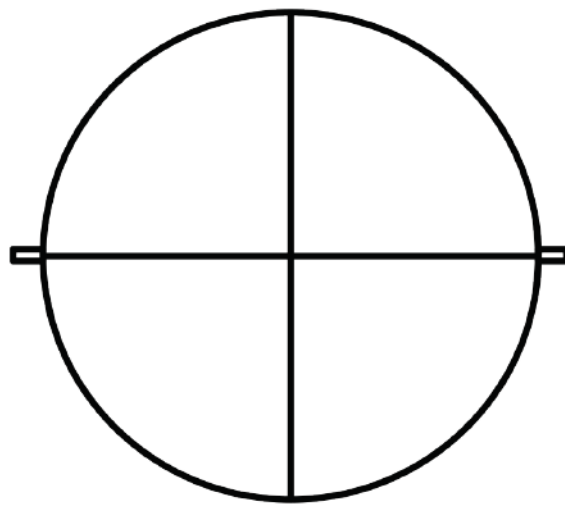
COMMERCIAL KITCHEN HARDWARE

	Code	Description
A	K03104	Stationary bracket. Length: 343mm. 300# series, 8 gauge stainless steel with #4 satin finish. Supports a 265mm wide shelf.
B	K03103	Tray slide bracket. Length: 310mm. 300# series, 8 gauge stainless steel with #4 satin finish. Three rail saddle. Supports 25mm(1") OD rails. Mounting holes 10mm (3/8") diameter.
C	AO-1000	Aluminium Order Holder. Size: Length 1000mm x Height 50mm x Depth 20mm Suitable for commercial kitchens. Holds orders, menus. Aluminium body with white powder coat.



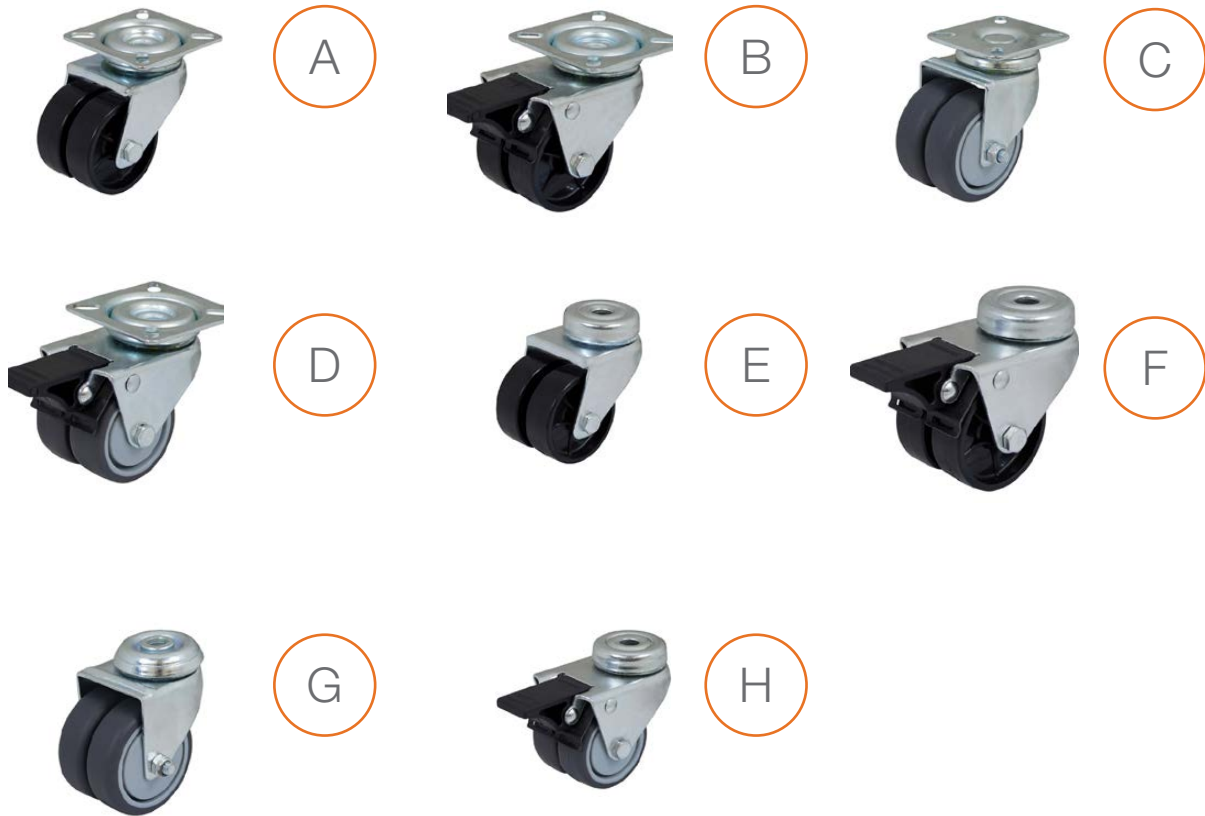


	Code	Description
A	K7504000102	Kason Solid Rubber Scrapping tube, 222mm funnel to suit opening 144.5mm.
B	F6350	Fermod 235mm (External) Scrap Ring



140mm diameter cut out with two 3mm notches to accommodate positioning screws

Code	Description
T1024673	Stainless Steel Knock Chute 138mm internal diameter with 19mm polished stainless steel flange. Bench mounted to easily empty spent ground coffee directly into an under counter disposal. HDPE knock bar won't dent or scratch your filter



Load Capacities are based on perfect floor conditions i.e. a perfectly flat, smooth floor, indoors without harsh bumps and large floor cracks.

If the castors are used in harsh ground environments or attached to items that are dropped, the lower Load Capacity shown will apply.

+ Refer to Mounting Plates and Pintles on page 108 and 110 for fixing options.

	Code*	Description	Wheel Diam	Width	Wheel Type	Bearing Type	Load Capacity	Height	Bolt Size
A	S2716	Fixed plate swivel, twin wheel.	50mm	2x17mm	Nylon	Plain	70/60kg	71mm	-
B	S2716B	Fixed plate swivel, twin wheel.	50mm	2x17mm	Nylon	Plain	70/60kg	71mm	-
C	S2718	Fixed plate swivel, twin wheel.	50mm	2x17mm	Rubber	Ball	70/60kg	71mm	-
D	S2718B	Fixed plate swivel, twin wheel.	50mm	2x17mm	Rubber	Ball	70/60kg	71mm	-
E	S2720	Single bolt swivel, twin wheel.	50mm	2X17mm	Nylon	Plain	70/60kg	71mm	10mm
F	S2720B	Single bolt swivel, twin wheel.	50mm	2x17mm	Nylon	Plain	70/60kg	71mm	10mm
G	S2722	Single bolt swivel, twin wheel.	50mm	2x17mm	Rubber	Ball	70/60kg	71mm	10mm
H	S2722B	Single bolt swivel, twin wheel.	50mm	2x17mm	Rubber	Ball	70/60kg	71mm	10mm

* B denotes model with brake.



A



B



C



D



E



F



G



H

Load Capacities are based on perfect floor conditions i.e. a perfectly flat, smooth floor, indoors without harsh bumps and large floor cracks.

If the castors are used in harsh ground environments or attached to items that are dropped, the lower Load Capacity shown will apply.

+ Refer to Mounting Plates and Pintles on page 6 and 7 for fixing options.

	Code*	Description	Wheel Diam	Width	Wheel Type	Bearing Type	Load Capacity	Height	Bolt Size
A	S3106	Fixed plate swivel.	75mm	30mm	Poly Nylon	Ball	80/45kg	107mm	-
B	S3106B	Fixed plate swivel.	75mm	30mm	Poly Nylon	Ball	80/45kg	107mm	-
C	S3304	Fixed plate swivel.	75mm	30mm	Nylon	Plain	80/45kg	105mm	-
D	S3304B	Fixed plate swivel.	75mm	30mm	Nylon	Plain	80/45kg	105mm	-
E	S3326	Single bolt swivel.	75mm	30mm	Nylon	Plain	80/45kg	105mm	12mm
F	S3326B	Single bolt swivel.	75mm	30mm	Nylon	Plain	80/45kg	105mm	12mm
G	S3080	Single bolt swivel.	75mm	30mm	Rubber	Ball	80/45kg	105mm	12mm
H	S3080B	Single bolt swivel.	75mm	30mm	Rubber	Ball	80/45kg	105mm	12mm

* B denotes model with brake.





A



B



C



D



E



F



G

	Code	Description	Wheel Diam	Width	Wheel Type	Bearing Type	Load Capacity	Height	Bolt Size
A	S3390	Fixed plate swivel.	75mm	30mm	Poly Nylon	Ball	80/45kg	-	-
B	S3390B	Fixed plate swivel.	75mm	30mm	Poly Nylon	Ball	80/45kg	-	-
C	S4490	Fixed plate swivel.	75mm	30mm	Poly Nylon	Ball	100kg	-	-
D	S4490B	Fixed plate swivel.	100mm	30mm	Poly Nylon	Ball	-	-	-
E	S4488	Fixed plate swivel.	100mm	30mm	Poly Nylon	Ball	-	-	-
	S4488B	Fixed plate swivel.	100mm	30mm	Poly Nylon	Ball	-	-	-
F	CAS25M12R	Fixed plate swivel.	100mm	25mm	Poly Nylon	Ball	-	-	-
G	CAS32M12R	Fixed plate swivel.	100mm	32mm	Poly Nylon	Ball	-	-	-



A



B



C



D



E



F



G



H

Load Capacities are based on perfect floor conditions i.e. a perfectly flat, smooth floor, indoors without harsh bumps and large floor cracks.

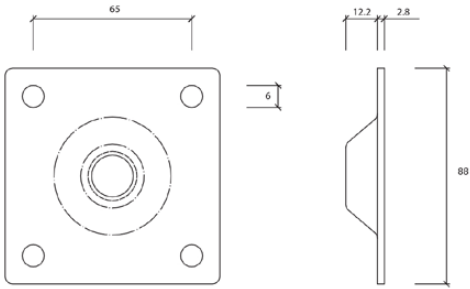
If the castors are used in harsh ground environments or attached to items that are dropped, the lower Load Capacity shown will apply.

+ Refer to Mounting Plates and Pintles on page 5 and 7 for fixing options.

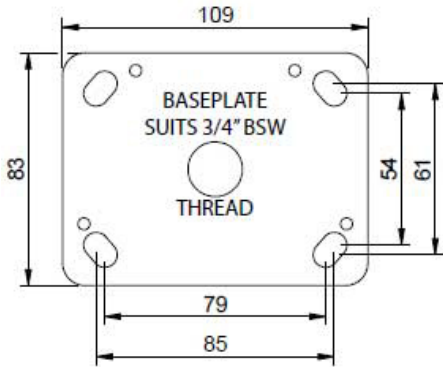
	Code*	Description	Wheel Diam	Width	Wheel Type	Bearing Type	Load Capacity	Height	Bolt Size
A	S4080	Single bolt swivel.	100mm	30mm	Inst Rubber	Ball	80/45kg	133mm	12mm
B	S4080B	Single bolt swivel.	100mm	30mm	Inst Rubber	Ball	100/80kg	133mm	12mm
C	S4485	Single bolt swivel.	100mm	30mm	Nylon	Plain	100/80kg	159mm	12mm
D	S4485B	Single bolt swivel.	100mm	30mm	Nylon	Plain	100/80kg	133mm	12mm
E	S5585	Single bolt swivel.	125mm	30mm	Nylon	Plain	100/80kg	105mm	12mm
F	S5585B	Single bolt swivel.	125mm	30mm	Nylon	Plain	100/80kg	159mm	12mm
G	S3298	Single bolt swivel.	75mm	30mm	Nylon	Plain	80/60kg	100mm	12mm
H	S3298B	Single bolt swivel.	75mm	30mm	Nylon	Plain	80/60kg	100mm	12mm

* B denotes model with brake.





A



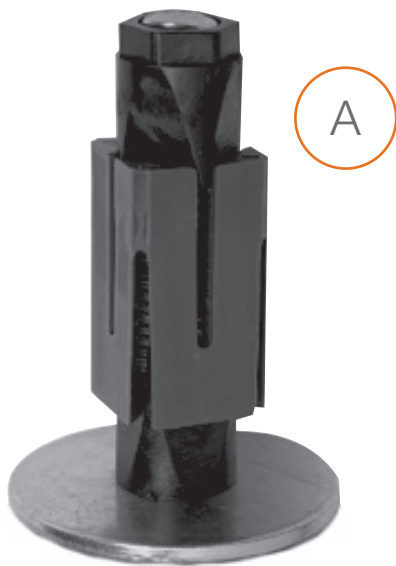
B

	Code	Description
A	MPZP	Mounting plate, zinc plate, 89mm x 89mm, 3/4" BSW thread.
	MPSS	Mounting plate, stainless steel, 89mm x 89mm, 3/4" BSW thread.
B	R34MP	Rectangular Mounting Plate, ZP, 109mm x 83mm, 3/4" BSW Thread Compatible With SKOPE Fridges.



Code	Description
K6B10000012	Corner Bumper with Plugs





	Code	Description
A	P5-25-10	Expanding pintle for 25mm square tube, 10mm bolt.
	P5-25-12	Expanding pintle for 25mm square tube, 12mm bolt.
	P6-32-10	Expanding pintle for 32mm square tube, 10mm bolt.
	P6-32-12	Expanding pintle for 32mm square tube, 12mm bolt.
B	Pintle	Steel pintle and lock nut to fit mounting plate, 3/4" BSW thread.
	Pintle-10 3/4	3/4" BSW pintle with 10mm nyloc nut for 10mm bore
	Pintle-12 3/4	3/4" BSW pintle with 10mm nyloc nut for 12mm bore



A



B

Features	Advantages	Benefits
6 Star WELS rating and AS/ NZS3718:2005 compliant. Watermark license no WMKA0034	Efficient use of water and meets all the Australian standards	Saves money due to less water usage and quality Australian made product.
Simple installation	Comes already assembled.	Save on installation time and errors.
High pressure hose with swivel unions on both ends.	Long lasting, can take heavy work load and better movement of the unit, easier to use.	More efficient, less downtime and less wear and tear on unit, easy to maintain, saves money.
Robust trigger and hand spray with built-in check valve.	Will handle the pace of the commercial kitchen and prevents cross contamination from back flow.	More efficient running of day to day task and better overall hygiene standards in the work place.

	Code	Description
A	TF100HJS	Ezy-Wash CP-BS chrome plated, hob mounted twin mixer pre-rinse with robust trigger spray gun.
B	TF100HJP	Ezy-Wash CP-BS hob mounted twin mixer pre-rinse unit type 100 flex tail -pot filler.





Code	Description
TF17-J	CP Ezy-Wash pot filler attachment type 100 J/V 305mm reach.



A



B



C

	Code	Description
A	37418	Heavy duty pre-rinse hose. Length: 1000mm x 15FI BSP swivel both end.
	37418-1500	Heavy duty pre-rinse hose. Length: 1500mm x 15FI BSP swivel both end.
B	37421	GE Pre-rinse trigger spray. WaterMark approved, 6 Star WELS rated and complies to the ASTM F2324-3 Cleanability Test.
C	37416	Ezy-Wash stainless steel heavy duty pre-rinse hose 1015 x 15FI BSP.

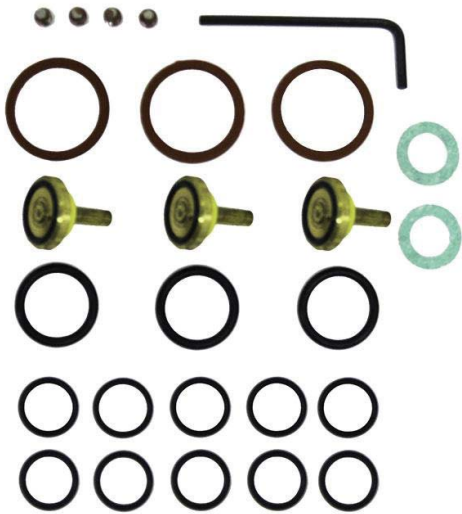




	Code	Description
A	46714	Galvin Engineering Jumper Valve Cartridge 1/4 Turn, with washer, to suit the cold tap for TF80 series, pre-rinse units and 83240 & 83245 hob mounted commercial taps.
	46722	Galvin Engineering Jumper Valve Cartridge, 1/4 Turn, with washer, to suit the TF85-J Pot Filler.
	46726	Galvin Engineering Jumper Valve Cartridge 1/4 Turn, with washer, to suit the hot tap for TF80 series, pre-rinse units and 83240 & 83245 hob mounted commercial taps.
B	FISHER ADAPT	Stainless steel adaptor to allow the 37421 pre-rinse trigger spray to be fitted to existing Fisher pre-rinse units. Hose thread: 3/4"-14 Female Spray valve thread: 1/2" BSP.
C	GE ADAPT	Stainless steel adaptor to allow the 37421 pre-rinse trigger spray to be fitted to existing T&S, Encore and CH series pre-rinse units. Hose thread: 7/8"-20 Male Spray valve thread: 1/2" BSP.
D	T599B	Reverse Adaptor to allow GE Series Hoses to fit the older style T & S encore and CH Model Pre Rinse Units.
E	46714	GE Jumper valve cartridge 1/4 turn "Cold" tap with washers.
F	46726	GE Jumper valve cartridge 1/4 turn "Hot" tap with washers.



A



B

	Code	Description
A	712052	Stainless steel spring for GE Pre-rinse units.
B	TF84RK	GE repair kit consisting of large and small rubber O rings, hydro seal washers, fibre washers, grub screws and an Allen key.

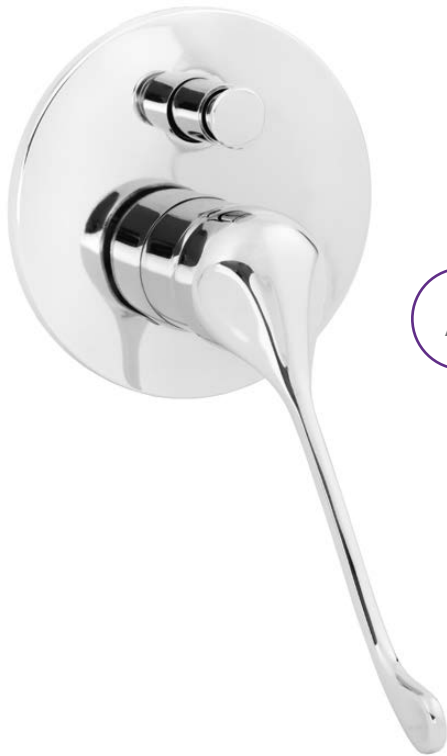


A



B

	Code	Description	Features
A	TP08045	Chrome plated knee operated valve, 15mm with regulator - time flow (nuts not supplied).	Convenience of hands free operation with the assurance of high level hygiene. Flow cycle is actuated by the deflection of the lever in any direction from the rest position. Flow rate is regulated at a constant flow of 5 litres per minutes and automatically turns off with a non-concussive action after a period of 15 seconds.
B	TP08045K	Chrome plated knee operated basin kit. Comprises: Chrome plated knee operated valve, 15mm with regulator - time flow. Fixed chrome plated basin outlet. Two mini cistern stops with wall plates. 1000mm flexi connector.	



A



B

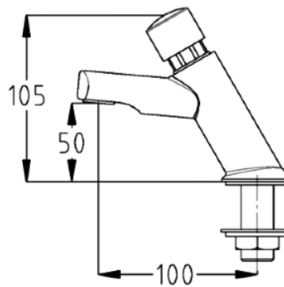
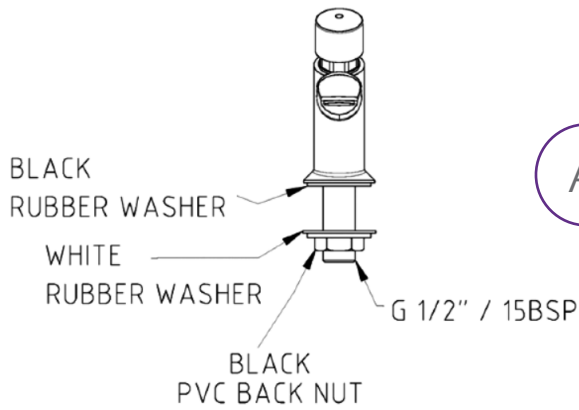
Features

All parts and fixtures are AS3718 and WELS approved. Chrome finish. Solid DR Brass construction. Heavy duty commercial style.

Suitable for commercial kitchens, schools, hospitals, nursing homes, healthcare and residential markets.

	Code	Description
A	TM-SHWDVCPD	CliniLever CP-BS hospital single lever shower mixer with diverter and 165 disabled lever. Chrome plated.
B	TM-SHWDVCP	CliniLever CP-BS hospital single lever shower mixer with diverter. Chrome plated.





B



C

Features

Approved to WaterMark AS3718 and is 6 Star WELS rated. Timeflow is 6 seconds. Heavy duty chrome plated finish. Constant water flow regardless of pressure. Vandal resistant design to ensure long life. Easy servicing and readily available parts.

	Code	Description
A	173.15.21.00	Ezy-push pillar tap - innovative self closing water saving tap. Cleverly designed to be simple to operate and to provide maximum water efficiency.
B	368790	Ezy-Push CP-BS timeflow push button replacement cartridge -6 sec.
C	368795	Ezy-Push CP-BS timeflow push button replacement cartridge -15 sec.



A



B



C

Features

All parts and fixtures are AS3718 and WELS approved. Chrome finish. Solid DR Brass construction. Heavy duty commercial style.

	Code	Description
A	TM-SNKCP	CliniLever CP-BS hospital single lever sink mixer 250 reach.
B	TM-BASCP	CliniLever CP-BS hospital single lever basin mixer.
C	TM-BASCPD	CliniLever CP-BS hospital single lever basin mixer with 165 Disabled Lever.



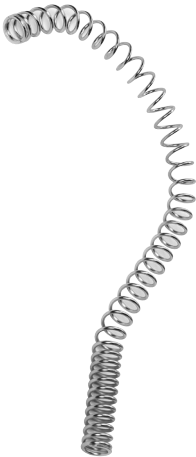


A



B

	Code	Description
A	TZ-FL20SB	Conti electronic Flamingo IR hob basin tap without temp mixing -Battery
B	TZ-FL20SM	Conti electronic Flamingo IR hob basin tap without temp mixing -mains power.



A



B

	Code	Description
A	712052	Pre-rinse outer spring. Will suit T&S, Encore and CH Models.
B	K60451KL000960	Kason 60" (1524mm) Stainless steel pre-rinse hose
	K60451KL0009	Kason 42" (1067mm) Stainless steel pre-rinse hose



A



B

	Code	Description
A	TF87	GE Pre-rinse wall bracket assembly
B	61-FSC	Pre-rinse tap spindle kit - cold. Will suit T&S, Encore and CH Pre-rinse.
	61-FSH	Pre-rinse tap spindle kit - hot. Will suit T&S, Encore and CH Pre-rinse.



A



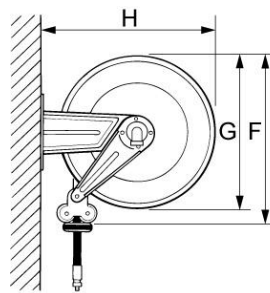
B

	Code	Description	Features
A	HW1015	Semi enclosed hot wash system. 15m x 10mm Hose	<ul style="list-style-type: none"> Working temperature -30°C to +85°C (Hose) Material: White PVC Reel Inlet Fitting: 3/8" BSP Female Materials: Composite Outlet Fitting: 3/8 BSP Male Working pressure 240psi-16bar Hose Semi Enclosed: Open top and bottom for easy cleaning
	HW1215	Semi enclosed hot wash system. 15m x 12mm Hose	
B	RB65	Low pressure gun for hygiene cleaning in the food industry.	Completely sealed. Ergonomic. Adjustable jet cone. Trigger protection. Chromed Brass Body, 1-2" BSPF inlet. Flow rate 60 l-min @ 20 bar. Max. pressure rating 24 bar (350 PSI). Temperature Rating - 90deg.C Swivel inlet, complete with 303 stainless steel piston.

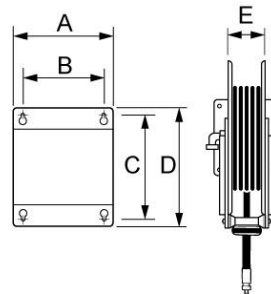




A



B



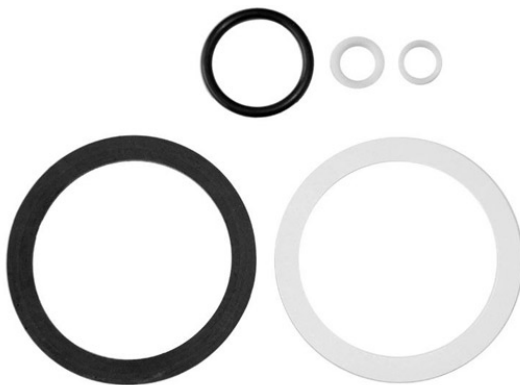
	Code	Description	Features	Dimensions
A	7800-OLP	Powder coated steel hot wash system.	Hose size 15m x 12mm ID Working temperature -30°C to +85°C (Hose) Working pressure 240psi-16bar Hose Material: White PVC Inlet Fitting: 12mm NPT Outlet Fitting: 12mm BSPM Open design for easy cleaning. Optional Extra: RB65 blue low pressure gun, see separate listing.	
B	SS400-10	Series Stainless Steel Spring Rewind Hose reel.	Hose Capacity is 15m x 10mm ID hose. Maximum Working Pressure is 3000psi. Reel Inlet is 3/8" BSPF and Outlet is 3/8" BSPM. Hot Wash Hose assembly 10mm ID x 15m long supplied and fitted to the above mentioned hose reel. The blue RB65 low pressure wash down gun is an optional extra.	A 158 B 120 C 168 D 192 E 95 F 450 G 400 H 435
	SS460-12	Series Stainless Steel Spring Rewind Hose reel.	Hose Capacity is 15m x 12mm ID hose. Maximum Working Pressure is 300psi. Reel Inlet is 1/2" BSPM and Outlet is 1/2" BSPM. Hot Wash Hose assembly 12mm ID x 15m long supplied and fitted to the above mentioned hose reel.	A 158 B 120 C 168 D 192 E 95 F 480 G 460 H 500



A



B



C

	Code	Description
A	K458001200	Twist handle waste outlet. Stainless steel flat strainer.
B	72-FS	Stainless steel flat strainer to suit WD20T.
C	72-RK	Replacement kit for WD20T includes flange rubber washer and paper gasket, body bushing, packing nut bushing and plug O-ring.



	Code	Description
A	K0460-2290	Overflow tube. Size: 1" NPS (25mm) Length: 9" (229mm) Nickel plated brass with neoprene seat.
B	E16-4011A	Sink drain to suit K0460-2290 Overflow. Size: 1" NPS (25mm) Length: 1½" (38mm). Nickel plated brass with brass locknut and rubber washer.
C	E16-4031A	Sink drain to suit K0460-2290 Overflow. Size: 1" NPS (25mm) Length: 4" (102mm). Nickel plated brass with brass locknut and rubber washer.



A



B

	Code	Description
A	K460002410	Overflow tube. Size: 1½" NPS (38mm) Length: 10" (254mm) Swedged stainless steel
B	E18-1822	Sink drain to suit K460002410 Overflow. Size: 1½" NPS (38mm) Length: 1½" (38mm). Stainless steel complete with brass locknut, rubber washer and brass tail piece.





A



B



C



D

	Code	Description
A	50BWA	Plug and Waste. Polypropylene and 304 stainless steel waste with stainless steel plug and scrap trap. Fits 89mm sink hole and attaches to standard 50mm pipe.
B	PW89/50	Plug and Waste. Made in accordance with Australian Standard AS2887. Manufactured from glass reinforced polypropylene with a 304 stainless steel face. SAI approved to MP52-SPEC.005. Fits 89mm sink hole and attaches to standard 50mm pipe.
C	50PGR	50mm Plug and Waste. Manufactured from glass reinforced polypropylene with a stainless steel face.
D	40STD	40mm Plug and Waste. Manufactured from glass reinforced polypropylene with a stainless steel face.



Code	Description
2906SS	Swirl inlet fitting. Stainless steel.



Code	Description
COUNTER_GRATE	Counter top grating made to order. Available in 304 or 316 grade stainless steel. Finger holes can be incorporated if required. Trays to suit.
FLOOR_GRATE	Floor grating made to order. Available in 304 or 316 grade stainless steel. May be constructed to fit Dry Basket Arrestor. Floor trays to suit. This product is manufactured to your specifications. Please contact our friendly staff to discuss your requirements including number of finger holes required and whether grating is for pedestrian traffic and/or forklift etc.

COOL ROOM AND FREEZER ROOM LIGHTS

IP65 LED Light Fittings



A

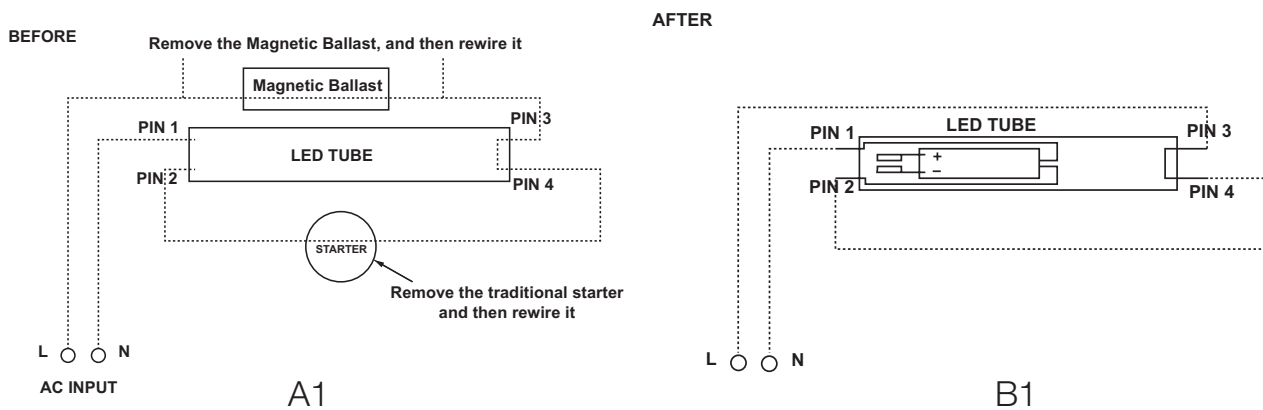


B

LED units start up instantly and emit very little heat, unlike traditional fluorescent tubes. This makes them ideal for use in cool rooms and freezers as they create less work for your refrigeration plant. Long life, energy efficient, less maintenance. The working temperature range is -40° C to +50° C.

	Code	Description
A	FH9236T8	CRH Twin 18W LED IP65 light fitting, 1200mm. 3060 lumens, 6000-7000K, 90-264V AC, Draws 0.48 amps. Overall dimensions 1250mm x 130mm x 95mm.
B	FH9118T8	CRH Single 9W LED IP65 light fitting. 600mm 765 lumens, 6000-7000K, 90-264V AC. Draws 0.21 amps. Overall dimensions 660mm x 85mm x 95mm.
	FH9136T8	CRH Single 18W LED IP65 light fitting, 1200mm. 1530 lumens, 6000-7000K, 90-264V AC. Draws 0.24 amps. Overall dimensions 1250mm x 85mm x 95mm.





Installation Instructions

1. Turn of the electricity supply before installation.
2. A1 shows standard wiring for fluorescent fittings.
3. Remove ballast and starter. Replace starter with 250v HRC type fuse.
4. Wire as shown in B1.
5. Insert LED tube.

Important Notice

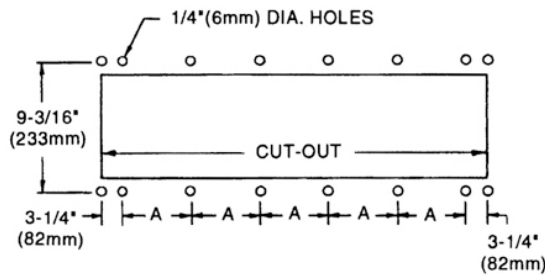
Changes to electrical wiring should only be performed by a qualified electrician.

Code	Description
CF001	CRH 435mm 8W 48Pcs 2835 LED tube -cool white, transparent.
CF002	CRH Single 600mm 9W 60Pcs 2835 LED tube -cool white, transparent. Draws 0.21 amps.
CF004	CRH 900mm 13W 96Pcs 2835 LED tube -cool white, transparent. Draws 0.24 amps.
CF006	CRH1200mm 18W 120Pcs 2835 LED tube -cool white, transparent. Draws 0.24 amps.
CF007	CRH1500mm 23W 144Pcs 2835 LED tube -cool white, transparent.

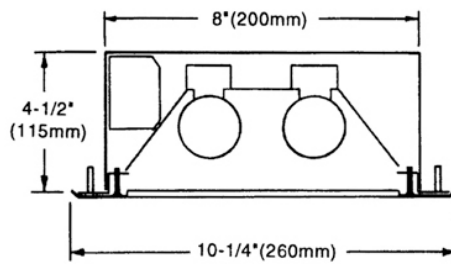


Code	Description	Material
SF-200L	IP65 Bulkhead light with low energy lamp, 280mm x 188mm x 100mm high.	Pressure die cast aluminum





MOUNTING CUT-OUT DIAGRAM



Code	Description	Material
404111320	Recessed canopy light with twin 900mm 12w LED	Designed for canopy hood installation with a stainless steel face plate and 3mm reinforced glass diffuser. Waterproof, heatproof and greaseproof construction. All units furnished with mounting brackets. Cut-out required: 960mm x 236mm
404111420	Recessed canopy light with twin 1200mm 12w LED	
404111420 Cover	Recessed canopy light replacement cover with opaque glass and stainless steel frame to suit 404111420	

Recessed Canopy Light

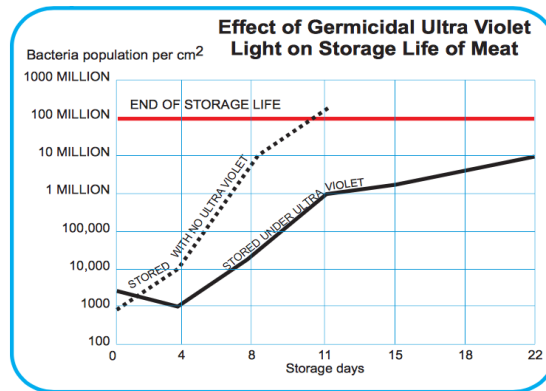


Code	Description	Material
K1815000010	Kason 22W LED canopy light fitting. 260mm x 260mm, 110-277VAC, 50/60Hz, 3000K. No ultraviolet emission means that it does not attract insects; 1150 total Lumens; 80% of all available light is projected onto the work surface. Where other ambient light is present fittings should be located at 1200mm centres. 3 Year Limited Warranty.	Stainless steel with tempered glass





A



B

	Code	Description
A	GF600IM	<p>Ultraviolet coolroom germicidal light.</p> <p>The UVP Germicidal units are used extensively in all areas where meat, dairy products, fruit, vegetables etc. are stored or processed. These areas include all cool rooms, salad rooms, cheese storage, bottling lines and locations susceptible to airborne contamination.</p> <p>Benefits of UVP Germicidal units:</p> <ul style="list-style-type: none"> • Increases storage life. • Effectively reduces food spoilage by killing bacteria, viruses, yeasts and mould spores. • Helps prevent coolroom odours. • Reduces food weight loss by allowing coolroom operation at a higher relative humidity. • Lowers running costs by allowing coolroom operation at a higher temperature. • Greatly reduces the need to trim meat, providing maintenance-free operation. • UV lamp is guaranteed effective UV life for one year.
B	OXIRA XG	OXIRA XG ultraviolet germicidal air neutraliser as a 12V plug and play unit suitable for doctor rooms, nurse stations, aged care residences, child care, any public spaces.



A



B

	Code	Description	Material
A	IT60W	I-Trap Bug Trapper automatically and silently attracts, kills and collects flying insects in high risk and critical food preparation areas.	White Enamelled Steel
B	GB4325	GB4325 black glueboards are designed to suit the IT60W Bug Trapper and should be replaced every 4-6 weeks to ensure maximum effectiveness.	Black Adhesive Paper





A

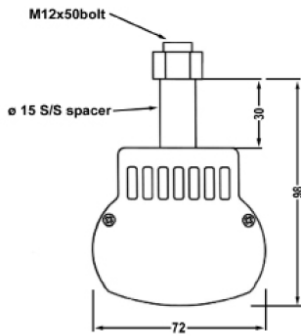


B

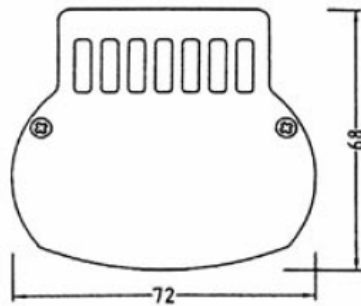


C

	Code	Description	Material
A	IPDIPS161	Surface mount box, single IP66 Switch. Dimensions: 85mmH x 85mmW x 86mmD. 16A switch - 2 way switching. 16A terminal size 4.3mm diameter. Accessory kit included and contains 1 x 2 screw insulated connector, 2 x 25/20mm conduit reducers. Rear screw plugs. Front screw plugs. Max single cable 4mm ² . Will take twin 2.5mm ² .	PVC
B	CRH-ILB	Red neon indicator light box with 20mm conduit knockouts. Colour: White	
C	NECFL37BR-BHG	NEC 37W Triphosphor meat display T8 1200mm fluorescent lamp	



	Code	Description
A	AH600-1500J	AH Series heat lamp, 600mm 1 x 500W globe
	AH1200-2500J	AH Series heat lamp, 1200mm 2 x 500W globe
	AH1500-3500J	AH Series heat lamp, 1500mm, 3 x 500W globe
	AH1800-4500J	AH Series heat lamp, 1800mm, 4 x 500W globes
	AH2100-4500J	AH Series heat lamp, 2100mm, 5 x 500W globes
	AH2700-4500J	AH Series heat lamp 2700mm
	Choice of anodised finishes: matt silver, matt gold or bright dip silver. CRH can supply AH Series light fittings custom made to your length specification. Just advise us the overall length you want and we will calculate a custom fitting for you.	
B	EMCA10	R7S lamp holders 10A 250V M14 nut mount
	EMCA20	R7S lamp holder, 10A 240V flange mount
C	QIR240300J	QHL heat lamp, 300W -jacketed 220mm overall length
D	QIR240200J	QHL heat lamp, 200W -jacketed 220mm overall length
	QIR240300J118	QHL heat lamp, 300W -jacketed 118mm overall length
	QIR240500J	QHL heat lamp, 500W -jacketed 220mm overall Length
	QIR240500N	QHL heat lamp, 500W -unjacketed



Description

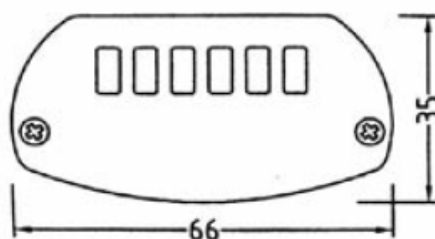
'A' Series fluorescent light fitting. Flexible polycarbonate diffuser

Finish Options:

- Anodised matt silver (Standard)
- Anodised bright dip silver

CRH can supply A Series light fittings custom made to your length specification. Just advise us the overall length you want up to 4 metres and we will calculate a custom fitting for you.

Code	Description
A470-15	A Series fluorescent light 1 x 15W – 470mm
A625-18	A Series fluorescent light 1 x 18W – 625mm
A930-30	A Series fluorescent light 1 x 30W – 930mm
A1230-36	A Series fluorescent light 1 x 36W – 1230mm
A1530-58	A Series fluorescent light 1 x 58W – 1530mm
A1700-58	A Series fluorescent light 58W - 1700mm
A1800-58	A Series fluorescent light 1 x 58W – 1800mm
A2100-3030	A Series fluorescent light 2 x 30W – 2100mm
A2400-3036	A Series fluorescent light 1 x 30W and 1 x 36W – 2400mm
A2700-3636	A Series fluorescent light 2 x 36W – 2700mm
A3000-5836	A Series fluorescent light 1 x 58W and 1 x 36W – 3000mm
A3600-5858	A Series fluorescent light 2 x 58W – 3600mm



Description

'B' Series fluorescent light fitting. Flexible polycarbonate diffuser

Finish Options:

- Anodised matt silver (Standard)
- Anodised bright dip silver

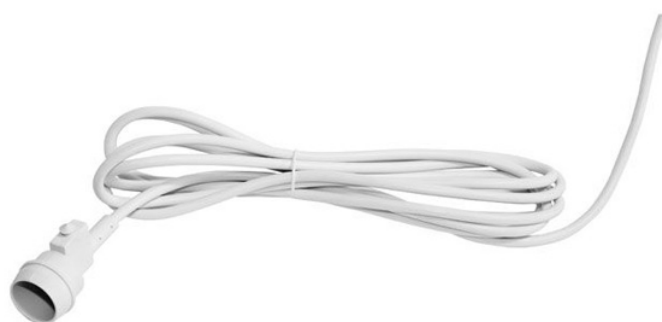
CRH can supply B Series light fittings custom made to your length specification. Just advise us the overall length you want up to 4 metres and we will calculate a custom fitting for you.

Code	Description
B600-10	B Series fluorescent light 1 x 10W – 600mm
B750-15	B Series fluorescent light 1 x 15W – 750mm
B900-18	B Series fluorescent light 1 x 18W – 900mm
B1200-30	B Series fluorescent light 1 x 30W – 1200mm
B1500-36	B Series fluorescent light 1 x 36W – 1500mm
B1850-58	B Series fluorescent light 1 x 58W – 1850mm
B2100-1830	B Series fluorescent light 1 x 18W and 1 x 30W – 2100mm
B2400-3030	B Series fluorescent light 2 x 30W – 2400mm
B2700-3036	B Series fluorescent light 1 x 30W and 1 x 36W – 2700mm
B3000-3636	B Series fluorescent light 2 x 36W – 3000mm
B3300-3658	B Series fluorescent light 1 x 36W and 1 x 58W – 3300mm
B3600-5858	B Series fluorescent light 2 x 58W – 3600mm





A



B



C

	Code	Description	Material
A	M1640	Fluorescent tube cover. Length: 600mm	PVC
	M1641	Fluorescent tube cover. Length: 900mm	PVC
	M1642	Flourescent tube cover. Length: 1200mm	PVC
	M1643	Flourescent tube cover. Length: 1500mm	PVC
B	M1640A	Fluorescent tube lead. Length: 3000mm	PVC
C	M1644	Flourescent tube cover endcap.	PVC



Features

- Electronic ballast
- Complies with minimum energy performance standards
- Individually switched

Technical Data

- Uses standard T8 Triphos Lamp
- 5000k
- 230-240 Volt

Important: These are NOT a waterproof fitting. Moisture or cold temperatures may affect the electronics. Electronic Control Gear - must NOT be installed on a circuit with inductive loads.

Code	Description
SFE-10CS	T8 Single Fluorescent light fitting with cord set. 10 Watts • Dimensions - Length 412mm x Width 36mm x Height 74mm • Cable Length - 1800mm
SFE-15	T8 Single Fluorescent light fitting. 15 Watts • Dimensions - Length 520mm x Width 36mm x Height 66mm
SFE-18	T8 Single Fluorescent light fitting. 18 Watts • Dimensions - Length 670mm x Width 36mm x Height 66mm
SFE-30	T8 Single Fluorescent light fitting. 30 Watts • Dimensions - Length 975mm x Width 36mm x Height 66mm
SFE-36	T8 Single Fluorescent light fitting. 36 Watts • Dimensions - Length 1280mm x Width 36mm x Height 66mm





Code	Description
KASONSIL	Food grade silicone. Colour: Aluminium Grey, suitable for use with stainless steel. High-temperature formula heat resistant to 200°C (400°F). Premium grade. Air cures overnight. Tack-free in 15 minutes. Uses: Waterproof adhesive bonds better than generic sealants. Won't peel. Tube volume: 304ml.



	Code	Description
A	BOS1128C	Heat Transfer Sealer. Sealing compound. Uses: Especially formulated for improving the thermal efficiency of freezer units by increasing the surface contact between the refrigerator coils and the cabinet. Tube volume: 460g
B	FULLER-HI-TEMP	FULLER-HI-TEMP Heat Resistant RTV (Room Temperature Vulcanising) silicone may be used for a variety of industrial bonding and sealing applications. Can withstand intermittent temperatures of up to 312°C and continuous temperatures of 260°C





Code	Description
03244 MASTIC	<p>Makrete Panel Mastic is a butyl-based non-sagging, non-skinning gunnable small joint sealant that provides excellent moisture resistance. It has been designed for use in Coolroom construction, refrigerated container components and other types of insulation panels. It is suitable for applications requiring a non-skinning, durable and permanently plastic sealant. Safe on polystyrene coolroom panel. Excellent barrier to moisture vapour.</p> <p>Colour: White</p>



A



B

	Code	Description
A	MF50 Aluminium Grey Silicone	MF50 Roof & Gutter Aluminium Grey Silicone is a neutral cure, premium grade, silicone sealant specially formulated for use in glazing and industrial fabrication where a premium quality, non-corrosive sealant is required, which skins quickly and is easy to use.
B	Dowsil 580 White	Dowsil 580 Glass, Metal & Masonry White Silicone is a neutral cure, premium grade, silicone sealant specially formulated for use in glazing and industrial fabrication where a premium quality, non-corrosive sealant is required, which skins quickly and is easy to use.





	Code	Description
A	Dowsil 580 Matt Black	Dowsil 580 Glass, Metal & Masonry Matt Black Silicone is a neutral cure, premium grade, silicone sealant specially formulated for use in glazing and industrial fabrication where a premium quality, non-corrosive sealant is required, which skins quickly and is easy to use.
B	Dowsil 580 Clear	Dowsil 580 Glass, Metal & Masonry Clear Silicone is a neutral cure, premium grade, silicone sealant specially formulated for use in glazing and industrial fabrication where a premium quality, non-corrosive sealant is required, which skins quickly and is easy to use.



Code	Description
N130C	<p>Universal Adhesive - Bond-Pro N130 is a non-drip, non-stringy, fast drying solvent based universal adhesive and sealant. It bonds to metal and other non-porous surfaces and is also flexible, water-resistant, and able to withstand temperatures up to 80°C.</p> <p>Uses: As an adhesive for bonding stainless steel and wood, as a lap joint sealant between gutters and downpipes, flashing, roofing, ducting and sheet metal, as an adhesive for fixing wall panels, floor boards and hanging wall furnishing.</p> <p>Tube volume: 300g</p>





A

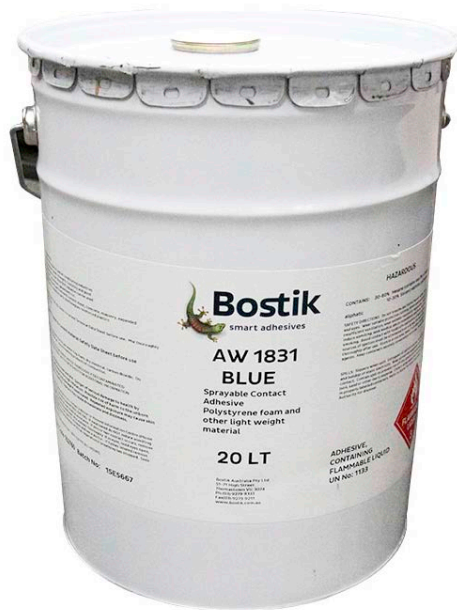


B

When using or choosing adhesive please consider the following:

- Surface Preparation - surfaces must be clean and dry. Giving the surface a light rough-over with sandpaper can help to increase the surface area the adhesive has to stick to by up to 3 times.
- Environment - consider the environment in which you are working. Humidity will affect drying time, try to avoid applications on cold mornings. Applications on rainy days will take longer to set/dry. Dusty environments will affect the performance of the adhesive, make sure the surface is clean.
- Be aware of the properties of the material you are trying to stick together and the process you are using to do it. What do you want to achieve? Discuss your requirements with one of our friendly sales staff so the best product can be tailored to your needs.

	Code	Description
A	TAC230R20	Polystyrene Contact Adhesive, 20 litre - Red
B	TAC230R200	Polystyrene Contact Adhesive, 200 litre - Red
		Styrene safe adhesive. High-performance foam contact adhesive. Synthetic rubber based, excellent strength adhesive for bonding light weight materials used in the insulation and air conditioning industries. High temp resistant, sprayable or brushable. Fire rated to AS1530.3.



A



B

	Code	Description
A	BOS1831	Polystyrene Safe Adhesive - Blue - 20 litre drum.
B	AV510	Bostik brush grade solvent free, slow setting, single component moisture curing polyurethane adhesive. 20 litre drum.





Code	Description
TAC103	Styrene safe solvent, used for thinning or cleaning polystyrene foam contact adhesive. 20 Litre drum.



Code	Description
BITUTHENE 3000	Bitumen rubber roll, rubberised, self adhesive. Uses: As waterproofing and sound deadening material. Size: 1.6mm x 1m x 20m roll.





A

Inox MX3FG Food Grade Grease 300g Aerosol was released to cater specifically for the food and beverage industry. INOX-MX3FG holds the NSF, class H1 food grade approval which is the highest approval available on a lubricant and is recognised worldwide. This allows INOX-MX3FG to be used in all food applications all over the world. INOX-MX3FG is similar to the original formula with some changes to comply with the NSF H1 criteria. INOX-MX3FG has undergone stringent testing and stands strong amongst the other INOX products and even stronger amongst its competitors

Inox MX-6 Food Grade Grease is a smooth, light brown grease made with polyalphaolefins and a special bentone thickener. It contains additives to protect against corrosion and oxidation. It has a temperature range of -30 °C to an extremely high temperature.

INOX-mx6 grease is recommended for all bearings and general lubrication and where processing temperatures go well below zero, especially in the refrigerated and frozen foods and beverage industries.

INOX is safe on rubber, and is ideally suitable for all plumbing O-rings & seals, food machinery O-rings & seals, Pneumatic control valve O-rings & seals, diving gear O-rings & seals, anywhere rubber or synthetic O-rings and seals are used.



B



C

	Code	Description
A	MX3FG-300	Inox food grade grease 300g aerosol. Colour: clear.
B	MX6-250	Inox MX6 food grade grease 250g tub. Colour: light brown
C	MX6-30	Inox food grade grease 30g tube. Colour: light brown



Code	Description
1520CW	<p>Aluminium Foil Insulation Tape.</p> <p>Product Configurations:</p> <ul style="list-style-type: none"> • Tape Width: 50mm • Roll Length 50 metres • Sold Per Roll <p>51µm annealed aluminium foil coated with CWTM cold weather acrylic pressure sensitive adhesive tape. The malleable foil applies easily to both fibrous and sheet metal ducts and conforms to irregular surfaces. 1520CW excels in demanding temperature and humidity applications and provides superior performance and durability over a wide range of environmental conditions, which includes UV stability.</p> <p>Features & Benefits :</p> <ul style="list-style-type: none"> • High performance insulation tape is ideal for use as a vapor seal for reinforced fiberglass or mineral wool thermal insulation. • May also be used on FSK systems. • CWTM acrylic adhesive performs well over a wide temperature range. • Hand tearable allows for easy installation. • Excels in high heat humidity environmental conditions.





Code	Description
CDT4M	Combination drill and tap. M4.
CDT5M	Combination drill and tap. M5.
CDT6M	Combination drill and tap. M6.
CDT8M	Combination drill and tap. M8.
CDT10M	Combination drill and tap. M10.



	Code	Description
A	MGAVAS0414DK	Multigrip rivets 1/8" (3.2mm) aluminium. Bags of 250. Mill finish.
	MGAVAS0516DK	Multigrip rivets 5/32" (4mm) aluminium. Bags of 250. Mill finish.
	MGAVAS0619DK	Multigrip rivets 3/16" (4.8mm) aluminium. Bags of 250. Mill finish.
B	MGAVAS0414SMK	Multigrip rivets 1/8" (3.2mm) aluminium. Bags of 250. Surfmist white.
	MGAVAS0516SMK	Multigrip rivets 5/32" (4mm) aluminium. Bags of 250. Surfmist white.
	MGAVAS0619SMK	Multigrip rivets 3/16" (4.8mm) aluminium. Bags of 250. Surfmist white.
C	MSA1075K	M10 x 75mm Dyna Bolt. Zinc plated. Pack of 4.
	DP0640K	Dynabolt, pack of 10, 6mmx40mm, zinc plated.



A



B

	Code	Description
A	MT4SS25	M4 x 25mm counter sunk Phillips head stainless steel. Pack of 10.
	MT4ZP25	M4 x 25mm counter sunk Phillips head zinc plated. Pack of 10.
	MT5SS25	M5 x 25mm counter sunk Phillips head stainless steel. Pack of 10.
	MT5ZP25	M5 x 25mm counter sunk Phillips head zinc plated. Pack of 10.
	MT5SS50	M5 x 50mm counter sunk Phillips head stainless steel. Pack of 10.
	MT5ZP50	M5 x 50mm counter sunk Phillips head zinc plated. Pack of 10.
	MT6SS25	M6 x 25mm counter sunk Phillips head stainless steel. Pack of 10.
	MT6ZP25	M6 x 25mm counter sunk Phillips head zinc plated. Pack of 10.
	MT8SS30	M8 x 30mm counter sunk Phillips head, stainless steel. Pack of 10.
	MT8ZP30	M8 x 30mm counter sunk Phillips head, stainless steel. Pack of 10.
B	MTPZ0620K	M6 x 20mm pan head metal thread, zinc plated. Pack of 10.

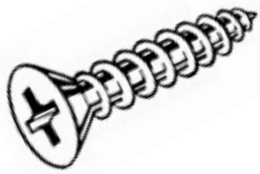


A



B

	Code	Description
A	SKZ-002	Threaded Rod, zinc plate, M10 x 300mm
	M10-1000Z	Threaded Rod, zinc plate, M10 x 1000mm
	M12-1000Z	Threaded Rod, zinc plate, M12 x 1000mm
B	CRH067-200	Threaded Rod, M10 x 200mm - HDG
	CRH067-300	Threaded Rod, M10 x 300mm - HDG
	CRH067-400	Threaded Rod, M10 x 400mm - HDG
	CRH060-200	Threaded Rod, M12 x 200mm - HDG
	CRH060-300	Threaded Rod, M12 x 300mm - HDG
	CRH060-400	Threaded Rod, M12 x 400mm - HDG



A



B



C



D



E



F

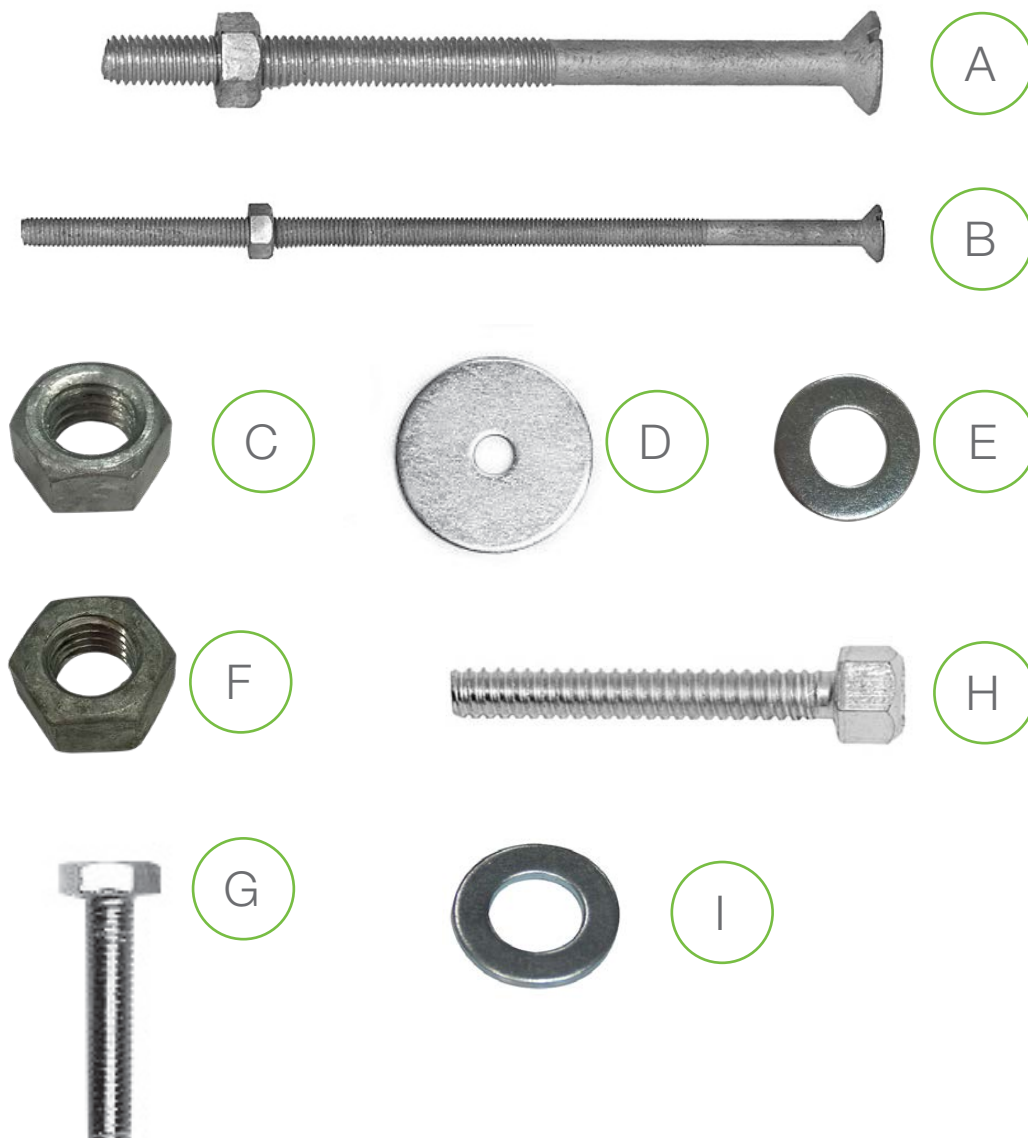


G



H

	Code	Description
A	S10GSS38	1/2" - 10g x 38mm counter sunk Phillips head stainless steel screw. Pack of 10.
	S10GZP38	1/2" - 10g x 38mm counter sunk Phillips head zinc plated screw. Pack of 10.
	S10GSS50	2" - 10g x 50mm counter sunk Phillips head stainless steel screw. Pack of 10.
	S10GZP50	2" - 10g x 50mm counter sunk Phillips head zinc plated screw. Pack of 10.
	S12GSS38	1/2" - 12g x 38mm counter sunk Phillips head stainless steel screw. Pack of 10.
	S12GZP38	1/2" - 12g x 38mm counter sunk Phillips head zinc plated screw. Pack of 10.
	S14GSS38	1/2" - 14g x 38mm counter sunk Phillips head stainless steel screw. Pack of 10.
	S14GZP38	1/2" - 14g x 38mm counter sunk Phillips head zinc plated screw. Pack of 10.
	S8GSS38	1/2" - 8g x 38mm counter sunk Phillips head stainless steel screw. Pack of 10.
	S8GZP38	1/2" - 8g x 38mm counter sunk Phillips head zinc plated screw. Pack of 10.
B	STPSS616K	6g x 16mm pan head stainless steel self tapper screw. Pack of 20.
	STPSS634K	6g x 19mm pan head stainless steel self tapper screw. Pack of 20.
C	CSZ1050K	10mm x 50mm hex head coach screw zinc plated. Pack of 4.
D	T17H3141075K	14g x 75mm hex head galvanized coach screw. Pack of 10.
E	STCSS612K	6g x 12mm counter sunk Phillips head stainless steel screw. Pack of 20.
F	STPZ142K	14g x 50mm pan head zinc plated self tapping screw. Pack of 10.
G	STCZ14134K	14g x 44mm counter sunk Phillips head zinc plated screw. Pack of 10.
H	STPZ1034K	10g x 20mm pan Head self tapper zinc plated screw. Pack of 10.



	Code	Description
A	TB-120	Track bolt 120mm, M8 galvanised, nut supplied separately.
B	TB-230	Track bolt 230mm, M8 galvanised, nut supplied separately.
C	TB-NM8	M8 nut galvanised. suits track bolts.
D	CRH062	Washer. 62mm diameter x 2.7mm. Hot dipped galvanised.
	SKZ-003	Washer. 62mm diameter x 2.7mm. Zinc plated.
	CRH066	Washer. 20 x 11 x 1.4mm. Hot dipped galvanised.
E	SKZ-005	Washer. 20 x 11 x 1.4mm. Zinc plated.
F	CRH063	Hex nut. M12 x 1.5mm. Hot dipped galvanised.
	CRH065	Hex nut. M10 x 1.5mm. Hot dipped galvanised.
G	CRH064	Hex bolt. M10 x 40mm. Hot dipped galvanised.
H	SKZ-004	Hex bolt. M10 x 40mm. Zinc plated.
I	WSZ103834K	19mm x 10mm x 107mm. Steel washer zinc plated. Pack of 20.



A



B



C



D



E

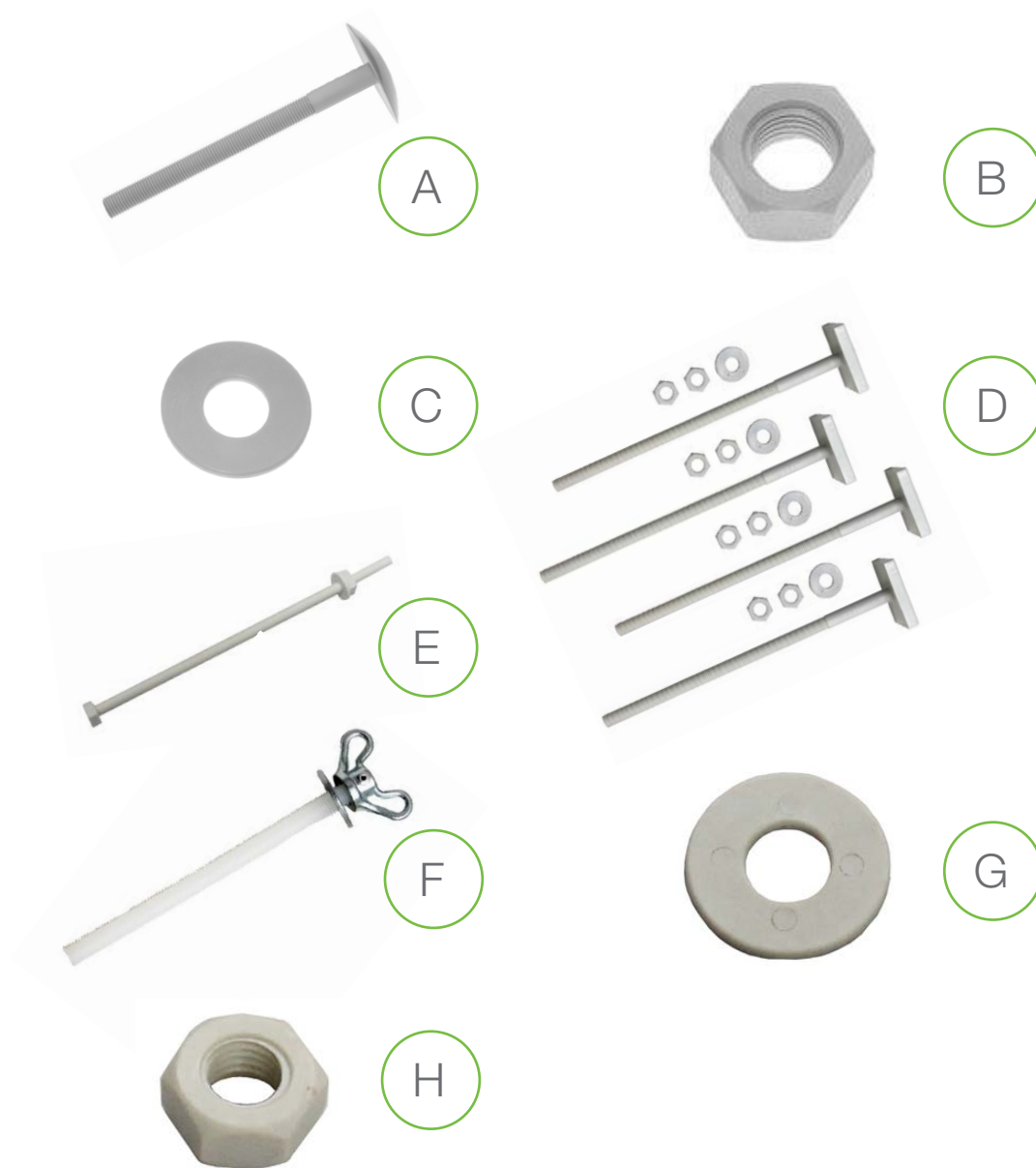


F



G

	Code	Description
A	PNBM16-30	M16 Purlin flanged nut & bolt.
B	SKZ-006	Hex nut, M10 x 1.5mm, zinc
C	A154	M12 X 45mm zinc hex bolt
D	A157	Washer 12mm x 24mm OD
E	A222	Clamp Screw 3/8" BSW x 32mm
F	TKN10 E389520	M10 Rod hanger beam clamp, HDG. M12 Beam clamp, HDG
G	A116	Nyloc nut 12mm



	Code	Description
A	A320	Mushroom bolt, M16 x 200mm. Material: Nylon. Off white finish
B	A320N	M16 Nut to suit A320 mushroom bolt. Material: Nylon. Off white finish.
C	A320W	Washer, 40mm. Material: Nylon. Off white finish
D	CRH-EMK	Four M10 X 235mm nylon bolts, eight nuts and four washers. Material: Nylon. Off white
E	NM6BNW	Nylon M6 bolt with nut / washer. 180mm long. Nylon material is ideal for fixing through insulated wall panel as temperature or moisture does not transfer.
F	RC02	170mm M12 nylon rod with fitted aluminium wingnut & 35mm washer.
G	CRH-611	Nylon washer, 25mm OD x 10.5mm ID
H	CRH-612	Nylon hex nut, M10





A



B



C

	Code	Description	Material
A	CSD-10	Mushroom cap, M10 thread, Surf mist color.	Nylon
B	CSD-12	Mushroom cap, M12 thread, Surf mist color.	Nylon
C	CSDX	CRH Hollow mushroom cap.	Nylon



A



B



C



D



E



F

	Code	Description
A	RLS30/240	Adjustable Roller lever limit switch 30mm IP66 Rating
B	CRH-ILB	Red neon indicator light box With 20mm conduit knockouts. PVC
C	IPDIPS161	Dimensions: 85mmH x 85mmW x 86mmD. 16A switch - 2 way switching. 16A terminal size 4.3mm diameter. Accessory kit included & contains 1 x 2 screw insulated connector. 2 x 25/20mm conduit reducers. Rear screw plugs. Front screw plugs. Max single cable 4mm2. Will take twin 2.5mm2.
D	ITS-MRS	Ultra slim and robust this switch can be floor or wall mounted.
E	K1967-010	CRH double skinned double utility box 148mm x 118mm x 65mm Deep. Top 7 Bottom 20mm conduit knock-outs
F	K1967-009	CRH Double Skinned Single Utility Box. 75mm x 118mm x 65mm Deep. Top & bottom 20mm conduit knock-outs.





A



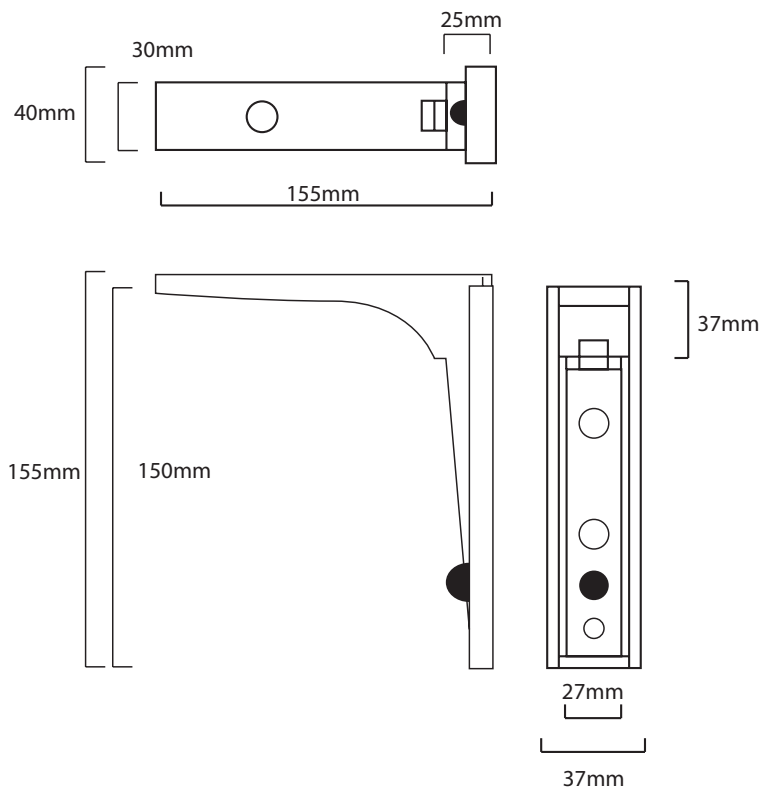
B

	Code	Description
A	DBR – 1000	Deburrer. Rollers suitable for steel included.
	DBR – 1000RR	Replacement rollers, suitable for steel. Sold per pair or packets of 10.
	DBR – 1000RRSS	Replacement rollers, suitable stainless steel. Sold per pair or packets of 10.
B	30341	As in all aspects of construction there may be times when you need to put a little more tension the cable than is possible with just your hands. The Zip-Clip Tensioning Tool is for these occasions. It takes all sizes of Zip-Clips and up to 4.8mm (3/16") cable. Designed to apply up to 270kg of tension by holding the Zip-Clip body and pulling the cable through using the cam and anvil. This powerful lever action will tension and retension the cable in seconds.



	Code	Description
A	PH1-50mm	PH1-50mm Philips head hex driver
B	PH2-50mm	PH2-50mm Philips head hex driver
C	PH3-50mm	PH3-50mm Philips head hex driver

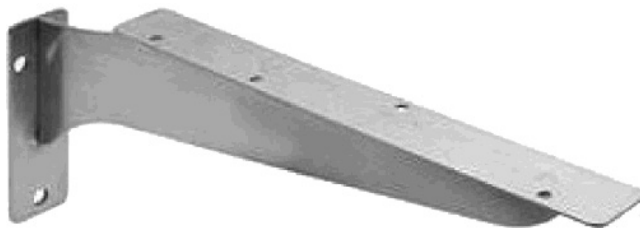
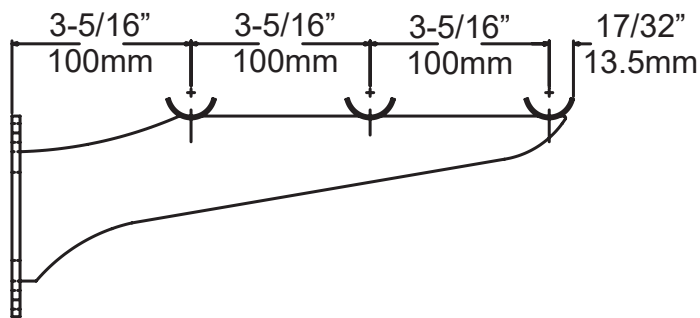




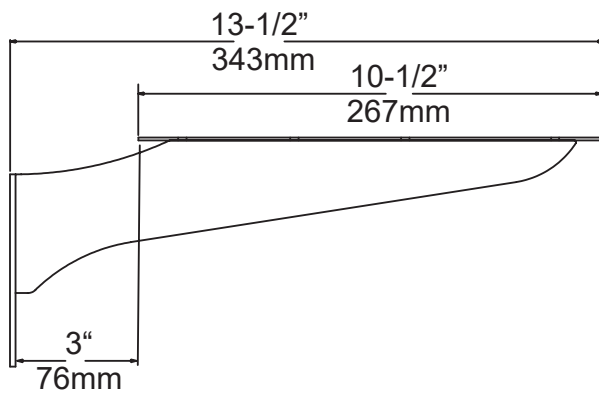
Code	Description
4270S	Fold down shelf bracket. Top Length 180mm x 45mm. Chrome plated with stainless steel shelf mount. Load rating 113.5kg dead weight using 254mm wide shelf with a pair of brackets mounted 610mm apart.



A



B



	Code	Description
A	K03103	Tray slide bracket . 8 gauge stainless steel with #4 satin finish. Supports 3 x 25mm rails. Mounts with 8mm screws
B	K03104	Stationary bracket. Length: 343mm. 300# series, 8 gauge stainless steel with #4 satin finish. Supports a 265mm wide shelf.



Code	Description
K6031000005	Kason drop down tray slide bracket. 8 gauge stainless steel with #4 satin finish. Three rail saddle. Supports 25mm (1") OD Rails. Mounting holes 10mm (3/8") diameter.



A



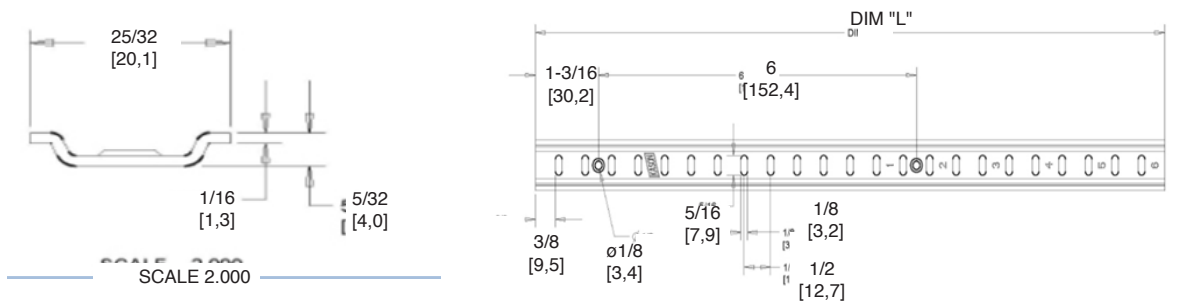
B

	Code	Description
A	SCK	Stainless steel shelf clip. Grade 304.
B	SCLK	Stainless steel shelf clip with retaining lug. Grade 304.



SHELVING & SHELF BRACKETS

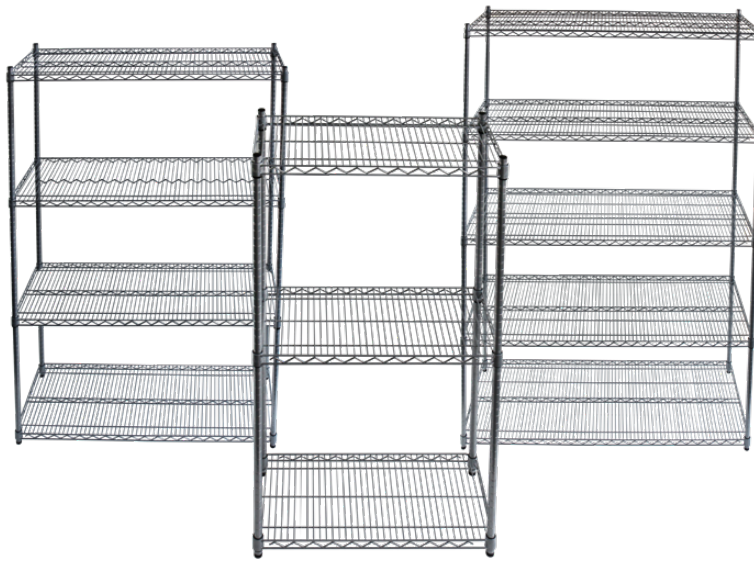
Kason Shelving Strips and Clips



Code	Description
SSA1	Aluminium shelving strip. Length: 1ft (305mm).
SSA2	Aluminium shelving strip. Length: 2ft (610mm).
SSA3	Aluminium shelving strip. Length: 3ft (915mm).
SSA4	Aluminium shelving strip. Length: 4ft (1220mm).
SSA5	Aluminium shelving strip. Length: 5ft (1525mm).
SSA6	Aluminium shelving strip. Length: 6ft (1830mm).
	Load Rating of 35kg per shelving clip applies. Under resting it was shown that 107kg of direct load was required to push the clip free from the shelving strip. Manufacturers maximum safe working load 35kg.

SHELVING & SHELF BRACKETS

CRH Epoxy Powder Coated Shelving



Powder Epoxy Coating Finish

CRH Australia Shelving is the perfect choice for Quality, Strength & Hygiene in the Foodservice Industry.

Constructed from zinc plated steel, the finish is an Epoxy Powder Coating with Anti-Microbial protection. The result is a clean gloss finish with excellent protection against rust & corrosion and ideal for Drystore, Cool Room or Freezer Room application. Anti-Microbial protection is a permanent treatment during the manufacturing process to ease cleaning and inhibit bacterial growth.

Features include:

- A Load Rating of 350kg per shelf (spread evenly across the shelf).
- Easily assembled and shelves adjustable in 25mm increments.
- Anti-Microbial Protection against micro-organisms such as Bacteria, Mould & Algae.
- 5 Year warranty against rust & corrosion.
- Strong wire shelves allow excellent air circulation & visibility.
- Adjustable feet for stability on uneven floor surfaces.
- Powder Epoxy coating finish allows for easy cleaning.
- Optional Castor set (2 Braked & 2 Un-Braked) for easy mobility.
- NSF Approved

Code	Size	Shelving Unit	Weight Rating per Shelf
S355x6033T54P	355mm Deep x 603mm Wide, 1370mm High	3 Tier	350kg
S355x6033T75P	355mm Deep x 603mm Wide, 1900mm High	3 Tier	350kg
S355x6033T86P	355mm Deep x 603mm Wide, 2185mm High	3 Tier	350kg
S355X6034T54P	355mm Deep x 603mm Wide, 1370mm High	4 Tier	350kg
S355X6034T75P	355mm Deep x 603mm Wide, 1900mm Post	4 Tier	350kg
S355X6034T86P	355mm Deep x 603mm Wide, 2185mm Post	4 Tier	350kg
S355X6035T54P	355mm Deep x 603mm Wide, 1370mm Post	5 Tier	350kg
S355x6035T75P	355mm Deep x 603mm Wide, 1900mm Post	5 Tier	350kg
S355x6035T86P	355mm Deep x 603mm Wide, 2185mm Post	5 Tier	350kg
S1424P	Additional shelf		



SHELVING & SHELF BRACKETS

CRH Epoxy Powder Coated Shelving

Code	Size	Shelving Unit	Weight Rating per Shelf
S355x7553T54P	355mm Deep x 755mm Wide, 1370mm High	3 Tier	350kg
S355x7553T75P	355mm Deep x 755mm Wide, 1900mm High	3 Tier	350kg
S355x7553T86P	355mm Deep x 755mm Wide, 2185mm High	3 Tier	350kg
S355X7554T54P	355mm Deep x 755mm Wide, 1370mm High	4 Tier	350kg
S355x7554T75P	355mm Deep x 755mm Wide, 1900mm High	4 Tier	350kg
S355x7554T86P	355mm Deep x 755mm Wide, 2185mm High	4 Tier	350kg
S355x7555T54P	355mm Deep x 755mm Wide, 1370mm High	5 Tier	350kg
S355x7555T75P	355mm Deep x 755mm Wide, 1900mm High	5 Tier	350kg
S355x7555T86P	355mm Deep x 755mm Wide, 2185mm High	5 Tier	350kg
S1430P	Additional shelf		
S355x9083T54P	355mm Deep x 908mm Wide, 1370mm High	3 Tier	350kg
S355x9083T75P	355mm Deep x 908mm Wide, 1900mm High	3 Tier	350kg
S355x9083T86P	355mm Deep x 908mm Wide, 2185mm High	3 Tier	350kg
S355X9084T54P	355mm Deep x 908mm Wide, 1370mm High	4 Tier	350kg
S355x9084T75P	355mm Deep x 908mm Wide, 1900mm High	4 Tier	350kg
S355x9084T86P	355mm Deep x 908mm Wide, 2185mm High	4 Tier	350kg
S355x9085T54P	355mm Deep x 908mm Wide, 1370mm High	5 Tier	350kg
S355x9085T75P	355mm Deep x 908mm Wide, 1900mm High	5 Tier	350kg
S355x9085T86P	355mm Deep x 908mm Wide, 2185mm High	5 Tier	350kg
S1436P	Additional shelf		
S355x10603T54P	355mm Deep x 1060mm Wide, 1370mm High	3 Tier	350kg
S355x10603T75P	355mm Deep x 1060mm Wide, 1900mm High	3 Tier	350kg
S355x10603T86P	355mm Deep x 1060mm Wide, 2185mm High	3 Tier	350kg
S355X10604T54P	355mm Deep x 1060mm Wide, 1370mm High	4 Tier	350kg
S355x10604T75P	355mm Deep x 1060mm Wide, 1900mm High	4 Tier	350kg
S355x10604T86P	355mm Deep x 1060mm Wide, 2185mm High	4 Tier	350kg
S355x10605T54P	355mm Deep x 1060mm Wide, 1370mm High	5 Tier	350kg
S355x10605T75P	355mm Deep x 1060mm Wide, 1900mm High	5 Tier	350kg
S355x10605T86P	355mm Deep x 1060mm Wide, 2185mm High	5 Tier	350kg
S1442P	Additional shelf		
S355x12133T54P	355mm Deep x 1213mm Wide, 1370mm High	3 Tier	350kg
S355x12133T75P	355mm Deep x 1213mm Wide, 1900mm High	3 Tier	350kg
S355x12133T86P	355mm Deep x 1213mm Wide, 2185mm High	3 Tier	350kg
S355X12134T54P	355mm Deep x 1213mm Wide, 1370mm High	4 Tier	350kg
S355x12134T75P	355mm Deep x 1213mm Wide, 1900mm High	4 Tier	350kg
S355x12134T86P	355mm Deep x 1213mm Wide, 2185mm High	4 Tier	350kg
S355x12135T54P	355mm Deep x 1213mm Wide, 1370mm High	5 Tier	350kg
S355x12135T75P	355mm Deep x 1213mm Wide, 1900mm High	5 Tier	350kg
S355x12135T86P	355mm Deep x 1213mm Wide, 2185mm High	5 Tier	350kg
S1448P	Additional shelf		

SHELVING & SHELF BRACKETS

CRH Epoxy Powder Coated Shelving

Code	Size	Shelving Unit	Weight Rating per Shelf
S355x13653T54P	355mm Deep x 1365mm Wide, 1370mm High	3 Tier	350kg
S355x13653T75P	355mm Deep x 1365mm Wide, 1900mm High	3 Tier	350kg
S355x13653T86P	355mm Deep x 1365mm Wide, 2185mm High	3 Tier	350kg
S355x13654T54P	355mm Deep x 1365mm Wide, 1370mm High	4 Tier	350kg
S355x13654T75P	355mm Deep x 1365mm Wide, 1900mm High	4 Tier	350kg
S355x13654T86P	355mm Deep x 1365mm Wide, 2185mm High	4 Tier	350kg
S355x13655T54P	355mm Deep x 1365mm Wide, 1370mm High	5 Tier	350kg
S355x13655T75P	355mm Deep x 1365mm Wide, 1900mm High	5 Tier	350kg
S355x13655T86P	355mm Deep x 1365mm Wide, 2185mm High	5 Tier	350kg
S1454P	Additional shelf		
S355x15183T54P	355mm Deep x 1518mm Wide, 1370mm High	3 Tier	350kg
S355x15183T75P	355mm Deep x 1518mm Wide, 1900mm High	3 Tier	350kg
S355x15183T86P	355mm Deep x 1518mm Wide, 2185mm High	3 Tier	350kg
S355x15184T54P	355mm Deep x 1518mm Wide, 1370mm High	4 Tier	350kg
S355x15184T75P	355mm Deep x 1518mm Wide, 1900mm High	4 Tier	350kg
S355x15184T86P	355mm Deep x 1518mm Wide, 2185mm High	4 Tier	350kg
S355x15185T54P	355mm Deep x 1518mm Wide, 1370mm High	5 Tier	350kg
S355x15185T75P	355mm Deep x 1518mm Wide, 1900mm High	5 Tier	350kg
S355x15185T86P	355mm Deep x 1518mm Wide, 2185mm High	5 Tier	350kg
S1460P	Additional shelf		
S355x18223T54P	355mm Deep x 1822mm Wide, 1370mm High	3 Tier	350kg
S355x18223T75P	355mm Deep x 1822mm Wide, 1900mm High	3 Tier	350kg
S355x18223T86P	355mm Deep x 1822mm Wide, 2185mm High	3 Tier	350kg
S355x18224T54P	355mm Deep x 1822mm Wide, 1370mm High	4 Tier	350kg
S355x18224T75P	355mm Deep x 1822mm Wide, 1900mm High	4 Tier	350kg
S355x18224T86P	355mm Deep x 1822mm Wide, 2185mm High	4 Tier	350kg
S355x18225T54P	355mm Deep x 1822mm Wide, 1370mm High	5 Tier	350kg
S355x18225T75P	355mm Deep x 1822mm Wide, 1900mm High	5 Tier	350kg
S355x18225T86P	355mm Deep x 1822mm Wide, 2185mm High	5 Tier	350kg
S1472P	Additional shelf		
S457x6033T54P	457mm Deep x 603mm Wide, 1370mm High	3 Tier	350kg
S457x6033T75P	457mm Deep x 603mm Wide, 1900mm High	3 Tier	350kg
S457x6033T86P	457mm Deep x 603mm Wide, 2185mm High	3 Tier	350kg
S457x6034T54P	457mm Deep x 603mm Wide, 1370mm High	4 Tier	350kg
S457x6034T75P	457mm Deep x 603mm Wide, 1900mm High	4 Tier	350kg
S457x6034T86P	457mm Deep x 603mm Wide, 2185mm High	4 Tier	350kg
S457x6035T54P	457mm Deep x 603mm Wide, 1370mm High	5 Tier	350kg
S457x6035T75P	457mm Deep x 603mm Wide, 1900mm High	5 Tier	350kg
S457x6035T86P	457mm Deep x 603mm Wide, 2185mm High	5 Tier	350kg
S1824P	Additional shelf		



SHELVING & SHELF BRACKETS

CRH Epoxy Powder Coated Shelving

Code	Size	Shelving Unit	Weight Rating per Shelf
S457x7553T54P	457mm Deep x 755mm Wide, 1370mm High	3 Tier	350kg
S457x7553T75P	457mm Deep x 755mm Wide, 1900mm High	3 Tier	350kg
S457x7553T86P	457mm Deep x 755mm Wide, 2185mm High	3 Tier	350kg
S457x7554T54P	457mm Deep x 755mm Wide, 1370mm High	4 Tier	350kg
S457x7554T75P	457mm Deep x 755mm Wide, 1900mm High	4 Tier	350kg
S457x7554T86P	457mm Deep x 755mm Wide, 2185mm High	4 Tier	350kg
S457x7555T54P	457mm Deep x 755mm Wide, 1370mm High	5 Tier	350kg
S457x7555T75P	457mm Deep x 755mm Wide, 1900mm High	5 Tier	350kg
S457x7555T86P	457mm Deep x 755mm Wide, 2185mm High	5 Tier	350kg
S1830P	Additional shelf		
S457x9083T54P	457mm Deep x 908mm Wide, 1370mm High	3 Tier	350kg
S457x9083T75P	457mm Deep x 908mm Wide, 1900mm High	3 Tier	350kg
S457x9083T86P	457mm Deep x 908mm Wide, 2185mm High	3 Tier	350kg
S457x9084T54P	457mm Deep x 908mm Wide, 1370mm High	4 Tier	350kg
S457x9084T75P	457mm Deep x 908mm Wide, 1900mm High	4 Tier	350kg
S457x9084T86P	457mm Deep x 908mm Wide, 2185mm High	4 Tier	350kg
S457x9085T54P	457mm Deep x 908mm Wide, 1370mm High	5 Tier	350kg
S457x9085T75P	457mm Deep x 908mm Wide, 1900mm High	5 Tier	350kg
S457x9085T86P	457mm Deep x 908mm Wide, 2185mm High	5 Tier	350kg
S1836P	Additional shelf		
S457x10603T54P	457mm Deep x 1060mm Wide, 1370mm High	3 Tier	350kg
S457x10603T75P	457mm Deep x 1060mm Wide, 1900mm High	3 Tier	350kg
S457x10603T86P	457mm Deep x 1060mm Wide, 2185mm High	3 Tier	350kg
S457x10604T54P	457mm Deep x 1060mm Wide, 1370mm High	4 Tier	350kg
S457x10604T75P	457mm Deep x 1060mm Wide, 1900mm High	4 Tier	350kg
S457x10604T86P	457mm Deep x 1060mm Wide, 2185mm High	4 Tier	350kg
S457x10605T54P	457mm Deep x 1060mm Wide, 1370mm High	5 Tier	350kg
S457x10605T75P	457mm Deep x 1060mm Wide, 1900mm High	5 Tier	350kg
S457x10605T86P	457mm Deep x 1060mm Wide, 2185mm High	5 Tier	350kg
S1842P	Additional shelf		
S457x12133T54P	457mm Deep x 1213mm Wide, 1370mm High	3 Tier	350kg
S457x12133T75P	457mm Deep x 1213mm Wide, 1900mm High	3 Tier	350kg
S457x12133T86P	457mm Deep x 1213mm Wide, 2185mm High	3 Tier	350kg
S457x12134T54P	457mm Deep x 1213mm Wide, 1370mm High	4 Tier	350kg
S457x12134T75P	457mm Deep x 1213mm Wide, 1900mm High	4 Tier	350kg
S457x12134T86P	457mm Deep x 1213mm Wide, 2185mm High	4 Tier	350kg
S457x12135T54P	457mm Deep x 1213mm Wide, 1370mm High	5 Tier	350kg
S457x12135T75P	457mm Deep x 1213mm Wide, 1900mm High	5 Tier	350kg
S457x12135T86P	457mm Deep x 1213mm Wide, 2185mm High	5 Tier	350kg
S1848P	Additional shelf		

SHELVING & SHELF BRACKETS

CRH Epoxy Powder Coated Shelving

Code	Size	Shelving Unit	Weight Rating per Shelf
S457x13653T54P	457mm Deep x 1365mm Wide, 1370mm High	3 Tier	350kg
S457x13653T75P	457mm Deep x 1365mm Wide , 1900mm High	3 Tier	350kg
S457x13653T86P	457mm Deep x 1365mm Wide, 2185mm High	3 Tier	350kg
S457x13654T54P	457mm Deep x 1365mm Wide, 1370mm High	4 Tier	350kg
S457x13654T75P	457mm Deep x 1365mm Wide, 1900mm High	4 Tier	350kg
S457x13654T86P	457mm Deep x 1365mm Wide, 2185mm High	4 Tier	350kg
S457x13655T54P	457mm Deep x 1365mm Wide, 1370mm High	5 Tier	350kg
S457x13655T75P	457mm Deep x 1365mm Wide, 1900mm High	5 Tier	350kg
S457x13655T86P	457mm Deep x 1365mm Wide, 2185mm High	5 Tier	350kg
S1854P	Additional shelf		
S457x15183T54P	457mm Deep x 1518mm Wide, 1370mm High	3 Tier	350kg
S457x15183T75P	457mm Deep x 1518mm Wide, 1900mm High	3 Tier	350kg
S457x15183T86P	457mm Deep x 1518mm Wide, 2185mm High	3 Tier	350kg
S457x15184T54P	457mm Deep x 1518mm Wide, 1370mm High	4 Tier	350kg
S457x15184T75P	457mm Deep x 1518mm Wide, 1900mm High	4 Tier	350kg
S457x15184T86P	457mm Deep x 1518mm Wide, 2185mm High	4 Tier	350kg
S457x15185T54P	457mm Deep x 1518mm Wide, 1370mm High	5 Tier	350kg
S457x15185T75P	457mm Deep x 1518mm Wide, 1900mm High	5 Tier	350kg
S457x15185T86P	457mm Deep x 1518mm Wide, 2185mm High	5 Tier	350kg
S1860P	Additional shelf		
S457x18223T54P	457mm Deep x 1822mm Wide, 1370mm High	3 Tier	350kg
S457x18223T75P	457mm Deep x 1822mm Wide, 1900mm High	3 Tier	350kg
S457x18223T86P	457mm Deep x 1822mm Wide, 2185mm High	3 Tier	350kg
S457x18224T54P	457mm Deep x 1822mm Wide, 1370mm High	4 Tier	350kg
S457x18224T75P	457mm Deep x 1822mm Wide, 1900mm High	4 Tier	350kg
S457x18224T86P	457mm Deep x 1822mm Wide, 2185mm High	4 Tier	350kg
S457x18225T54P	457mm Deep x 1822mm Wide, 1370mm High	5 Tier	350kg
S457x18225T75P	457mm Deep x 1822mm Wide, 1900mm High	5 Tier	350kg
S457x18225T86P	457mm Deep x 1822mm Wide, 2185mm High	5 Tier	350kg
S1872P	Additional shelf		
S610x6033T54P	610mm Deep x 603mm Wide, 1370mm High	3 Tier	350kg
S610x6033T75P	610mm Deep x 603mm Wide, 1900mm High	3 Tier	350kg
S610x6033T86P	610mm Deep x 603mm Wide, 2185mm High	3 Tier	350kg
S610x6034T54P	610mm Deep x 603mm Wide, 1370mm High	4 Tier	350kg
S610x6034T75P	610mm Deep x 603mm Wide, 1900mm High	4 Tier	350kg
S610x6034T86P	610mm Deep x 603mm Wide, 2185mm High	4 Tier	350kg
S610x6035T54P	610mm Deep x 603mm Wide, 1370mm High	5 Tier	350kg
S610x6035T75P	610mm Deep x 603mm Wide, 1900mm High	5 Tier	350kg
S610x6035T86P	610mm Deep x 603mm Wide, 2185mm High	5 Tier	350kg
S2424P	Additional shelf		



SHELVING & SHELF BRACKETS

CRH Epoxy Powder Coated Shelving

Code	Size	Shelving Unit	Weight Rating per Shelf
S610x7553T54P	610mm Deep x 755mm Wide, 1370mm High	3 Tier	350kg
S610x7553T75P	610mm Deep x 755mm Wide, 1900mm High	3 Tier	350kg
S610x7553T86P	610mm Deep x 755mm Wide, 2185mm High	3 Tier	350kg
S610x7554T54P	610mm Deep x 755mm Wide, 1370mm High	4 Tier	350kg
S610x7554T75P	610mm Deep x 755mm Wide, 1900mm High	4 Tier	350kg
S610x7554T86P	610mm Deep x 755mm Wide, 2185mm High	4 Tier	350kg
S610x7555T54P	610mm Deep x 755mm Wide, 1370mm High	5 Tier	350kg
S610x7555T75P	610mm Deep x 755mm Wide, 1900mm High	5 Tier	350kg
S610x7555T86P	610mm Deep x 755mm Wide, 2185mm High	5 Tier	350kg
S2430P	Additional shelf		
S610x9083T54P	610mm Deep x 908mm Wide, 1370mm High	3 Tier	350kg
S610x9083T75P	610mm Deep x 908mm Wide, 1900mm High	3 Tier	350kg
S610x9083T86P	610mm Deep x 908mm Wide, 2185mm High	3 Tier	350kg
S610x9084T54P	610mm Deep x 908mm Wide, 1370mm High	4 Tier	350kg
S610x9084T75P	610mm Deep x 908mm Wide, 1900mm High	4 Tier	350kg
S610x9084T86P	610mm Deep x 908mm Wide, 2185mm High	4 Tier	350kg
S610x9085T54P	610mm Deep x 908mm Wide, 1370mm High	5 Tier	350kg
S610x9085T75P	610mm Deep x 908mm Wide, 1900mm High	5 Tier	350kg
S610x9085T86P	610mm Deep x 908mm Wide, 2185mm High	5 Tier	350kg
S2436P	Additional shelf		
S610x10603T54P	610mm Deep x 1060mm Wide, 1370mm High	3 Tier	350kg
S610x10603T75P	610mm Deep x 1060mm Wide, 1900mm High	3 Tier	350kg
S610x10603T86P	610mm Deep x 1060mm Wide, 2185mm High	3 Tier	350kg
S610x10604T54P	610mm Deep x 1060mm Wide, 1370mm High	4 Tier	350kg
S610x10604T75P	610mm Deep x 1060mm Wide, 1900mm High	4 Tier	350kg
S610x10604T86P	610mm Deep x 1060mm Wide, 2185mm High	4 Tier	350kg
S610x10605T54P	610mm Deep x 1060mm Wide, 1370mm High	5 Tier	350kg
S610x10605T75P	610mm Deep x 1060mm Wide, 1900mm High	5 Tier	350kg
S610x10605T86P	610mm Deep x 1060mm Wide, 2185mm High	5 Tier	350kg
S2442P	Additional shelf		
S610x12133T54P	610mm Deep x 1213mm Wide, 1370mm High	3 Tier	350kg
S610x12133T75P	610mm Deep x 1213mm Wide, 1900mm High	3 Tier	350kg
S610x12133T86P	610mm Deep x 1213mm Wide, 2185mm High	3 Tier	350kg
S610x12134T54P	610mm Deep x 1213mm Wide, 1370mm High	4 Tier	350kg
S610x12134T75P	610mm Deep x 1213mm Wide, 1900mm High	4 Tier	350kg
S610x12134T86P	610mm Deep x 1213mm Wide, 2185mm High	4 Tier	350kg
S610x12135T54P	610mm Deep x 1213mm Wide, 1370mm High	5 Tier	350kg
S610x12135T75P	610mm Deep x 1213mm Wide, 1900mm High	5 Tier	350kg
S610x12135T86P	610mm Deep x 1213mm Wide, 2185mm High	5 Tier	350kg
S2448P	Additional shelf		

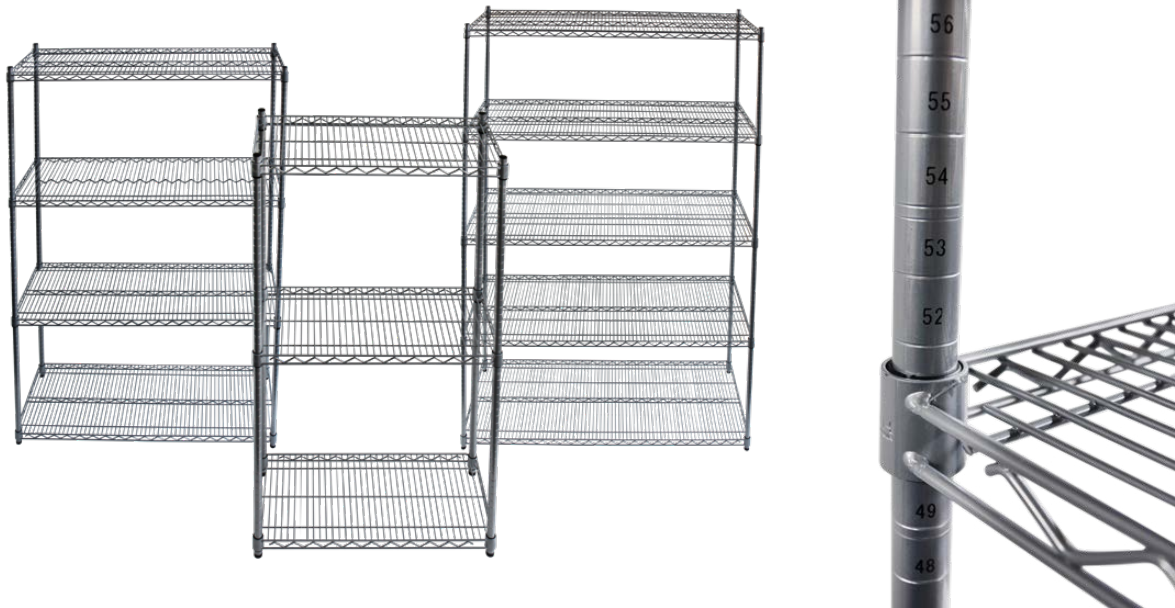
SHELVING & SHELF BRACKETS

CRH Epoxy Powder Coated Shelving

Code	Size	Shelving Unit	Weight Rating per Shelf
S610x13653T54P	610mm Deep x 1365mm Wide, 1370mm High	3 Tier	350kg
S610x13653T75P	610mm Deep x 1365mm Wide, 1900mm High	3 Tier	350kg
S610x13653T86P	610mm Deep x 1365mm Wide, 2185mm High	3 Tier	350kg
S610x13654T54P	610mm Deep x 1365mm Wide, 1370mm High	4 Tier	350kg
S610x13654T75P	610mm Deep x 1365mm Wide, 1900mm High	4 Tier	350kg
S610x13654T86P	610mm Deep x 1365mm Wide, 2185mm High	4 Tier	350kg
S610x13655T54P	610mm Deep x 1365mm Wide, 1370mm High	5 Tier	350kg
S610x13655T75P	610mm Deep x 1365mm Wide, 1900mm High	5 Tier	350kg
S610x13655T86P	610mm Deep x 1365mm Wide, 2185mm High	5 Tier	350kg
S2454P	Additional shelf		
S610x15183T54P	610mm Deep x 1518mm Wide, 1370mm High	3 Tier	350kg
S610x15183T75P	610mm Deep x 1518mm Wide, 1900mm High	3 Tier	350kg
S610x15183T86P	610mm Deep x 1518mm Wide, 2185mm High	3 Tier	350kg
S610x15184T54P	610mm Deep x 1518mm Wide, 1370mm High	4 Tier	350kg
S610x15184T75P	610mm Deep x 1518mm Wide, 1900mm High	4 Tier	350kg
S610x15184T86P	610mm Deep x 1518mm Wide, 2185mm High	4 Tier	350kg
S610x15185T54P	610mm Deep x 1518mm Wide, 1370mm High	5 Tier	350kg
S610x15185T75P	610mm Deep x 1518mm Wide, 1900mm High	5 Tier	350kg
S610x15185T86P	610mm Deep x 1518mm Wide, 2185mm High	5 Tier	350kg
S2460P	Additional shelf		
S610x18223T54P	610mm Deep x 1822mm Wide, 1370mm High	3 Tier	350kg
S610x18223T75P	610mm Deep x 1822mm Wide, 1900mm High	3 Tier	350kg
S610x18223T86P	610mm Deep x 1822mm Wide, 2185mm High	3 Tier	350kg
S610x18224T54P	610mm Deep x 1822mm Wide, 1370mm High	4 Tier	350kg
S610x18224T75P	610mm Deep x 1822mm Wide, 1900mm High	4 Tier	350kg
S610x18224T86P	610mm Deep x 1822mm Wide, 2185mm High	4 Tier	350kg
S610x18225T54P	610mm Deep x 1822mm Wide, 1370mm High	5 Tier	350kg
S610x18225T75P	610mm Deep x 1822mm Wide, 1900mm High	5 Tier	350kg
S610x18225T86P	610mm Deep x 1822mm Wide, 2185mm High	5 Tier	350kg
S2472P	Additional shelf		
P54P	Additional post 1370 High		
P75P	Additional post 1900mm high		
P86P	Additional post 2185mm high		



CRH 304 Grade Stainless Steel Shelving



CRH Australia 304 Grade Stainless Steel Shelving is the perfect choice for Quality, Strength and Hygiene in the Foodservice Industry.

Constructed from quality 304 Grade stainless steel with a polished finish, this option provides excellent protection against rust and corrosion and ideal for Drystore, Cool Room or Freezer Room application.

Features include:

- A Load Rating of 350kg per shelf (spread evenly across the shelf).
- Easily assembled and shelves adjustable in 25mm increments.
- Strong wire shelves allow excellent air circulation and visibility.
- Adjustable feet for stability on uneven floor surfaces.
- Polished Stainless Steel finish allows for easy cleaning.
- Optional Castor set (2 Braked and 2 Un-Braked) for easy mobility.
- NSF Approved

Code	Size	Shelving Unit	Weight Rating per Shelf
S457x6033T54SS	457mm Deep x 603mm Wide, 1370mm High	3 Tier	350kg
S457x6033T75SS	457mm Deep x 603mm Wide, 1900mm High	3 Tier	350kg
S457x6033T86SS	457mm Deep x 603mm Wide, 2185mm High	3 Tier	350kg
S457X6034T54SS	457mm Deep x 603mm Wide, 1370mm High	4 Tier	350kg
S457X6034T75SS	457mm Deep x 603mm Wide, 1900mm High	4 Tier	350kg
S457X6034T86SS	457mm Deep x 603mm Wide, 2185mm High	4 Tier	350kg
S457X6035T54SS	457mm Deep x 603mm Wide, 1370mm High	5 Tier	350kg
S457x6035T75SS	457mm Deep x 603mm Wide, 1900mm High	5 Tier	350kg
S457x6035T86SS	457mm Deep x 603mm Wide, 2185mm High	5 Tier	350kg
S1824SS	Additional shelf		

SHELVING & SHELF BRACKETS

CRH 304 Grade Stainless Steel Shelving

Code	Size	Shelving Unit	Weight Rating per Shelf
S457x7553T54SS	457mm Deep x 755mm Wide, 1370mm High	3 Tier	350kg
S457x7553T75SS	457mm Deep x 755mm Wide, 1900mm High	3 Tier	350kg
S457x7553T86SS	457mm Deep x 755mm Wide, 2185mm High	3 Tier	350kg
S457x7554T54SS	457mm Deep x 755mm Wide, 1370mm High	4 Tier	350kg
S457x7554T75SS	457mm Deep x 755mm Wide, 1900mm High	4 Tier	350kg
S457x7554T86SS	457mm Deep x 755mm Wide, 2185mm High	4 Tier	350kg
S457x7555T54SS	457mm Deep x 755mm Wide, 1370mm High	5 Tier	350kg
S457x7555T75SS	457mm Deep x 755mm Wide, 1900mm High	5 Tier	350kg
S457x7555T86SS	457mm Deep x 755mm Wide, 2185mm High	5 Tier	350kg
S1830SS	Additional shelf		
S457x9083T54SS	457mm Deep x 908mm Wide, 1370mm High	3 Tier	350kg
S457x9083T75SS	457mm Deep x 908mm Wide, 1900mm High	3 Tier	350kg
S457x9083T86SS	457mm Deep x 908mm Wide, 2185mm High	3 Tier	350kg
S457x9084T54SS	457mm Deep x 908mm Wide, 1370mm High	4 Tier	350kg
S457x9084T75SS	457mm Deep x 908mm Wide, 1900mm High	4 Tier	350kg
S457x9084T86SS	457mm Deep x 908mm Wide, 2185mm High	4 Tier	350kg
S457x9085T54SS	457mm Deep x 908mm Wide, 1370mm High	5 Tier	350kg
S457x9085T75SS	457mm Deep x 908mm Wide, 1900mm High	5 Tier	350kg
S457x9085T86SS	457mm Deep x 908mm Wide, 2185mm High	5 Tier	350kg
S1836SS	Additional shelf		
S457x10603T54SS	457mm Deep x 1060mm Wide, 1370mm High	3 Tier	350kg
S457x10603T75SS	457mm Deep x 1060mm Wide, 1900mm High	3 Tier	350kg
S457x10603T86SS	457mm Deep x 1060mm Wide, 2185mm High	3 Tier	350kg
S457x10604T54SS	457mm Deep x 1060mm Wide, 1370mm High	4 Tier	350kg
S457x10604T75SS	457mm Deep x 1060mm Wide, 1900mm High	4 Tier	350kg
S457x10604T86SS	457mm Deep x 1060mm Wide, 2185mm High	4 Tier	350kg
S457x10605T54SS	457mm Deep x 1060mm Wide, 1370mm High	5 Tier	350kg
S457x10605T75SS	457mm Deep x 1060mm Wide, 1900mm High	5 Tier	350kg
S457x10605T86SS	457mm Deep x 1060mm Wide, 2185mm High	5 Tier	350kg
S1842SS	Additional shelf		
S457x12133T54SS	457mm Deep x 1213mm Wide, 1370mm High	3 Tier	350kg
S457x12133T75SS	457mm Deep x 1213mm Wide, 1900mm High	3 Tier	350kg
S457x12133T86SS	457mm Deep x 1213mm Wide, 2185mm High	3 Tier	350kg
S457x12134T54SS	457mm Deep x 1213mm Wide, 1370mm High	4 Tier	350kg
S457x12134T75SS	457mm Deep x 1213mm Wide, 1900mm High	4 Tier	350kg
S457x12134T86SS	457mm Deep x 1213mm Wide, 2185mm High	4 Tier	350kg
S457x12135T54SS	457mm Deep x 1213mm Wide, 1370mm High	5 Tier	350kg
S457x12135T75SS	457mm Deep x 1213mm Wide, 1900mm High	5 Tier	350kg
S457x12135T86SS	457mm Deep x 1213mm Wide, 2185mm High	5 Tier	350kg
S1848SS	Additional shelf		



SHELVING & SHELF BRACKETS
CRH 304 Grade Stainless Steel Shelving

Code	Size	Shelving Unit	Weight Rating per Shelf
S457x13653T54SS	457mm Deep x 1365mm Wide, 1370mm High	3 Tier	350kg
S457x13653T75SS	457mm Deep x 1365mm Wide, 1900mm High	3 Tier	350kg
S457x13653T86SS	457mm Deep x 1365mm Wide, 2185mm High	3 Tier	350kg
S457x13654T54SS	457mm Deep x 1365mm Wide, 1370mm High	4 Tier	350kg
S457x13654T75SS	457mm Deep x 1365mm Wide, 1900mm High	4 Tier	350kg
S457x13654T86SS	457mm Deep x 1365mm Wide, 2185mm High	4 Tier	350kg
S457x13655T54SS	457mm Deep x 1365mm Wide, 1370mm High	5 Tier	350kg
S457x13655T75SS	457mm Deep x 1365mm Wide, 1900mm High	5 Tier	350kg
S457x13655T86SS	457mm Deep x 1365mm Wide, 2185mm High	5 Tier	350kg
S1854SS	Additional shelf		
S457x15183T54SS	457mm Deep x 1518mm Wide, 1370mm High	3 Tier	350kg
S457x15183T75SS	457mm Deep x 1518mm Wide, 1900mm High	3 Tier	350kg
S457x15183T86SS	457mm Deep x 1518mm Wide, 2185mm High	3 Tier	350kg
S457x15184T54SS	457mm Deep x 1518mm Wide, 1370mm High	4 Tier	350kg
S457x15184T75SS	457mm Deep x 1518mm Wide, 1900mm High	4 Tier	350kg
S457x15184T86SS	457mm Deep x 1518mm Wide, 2185mm High	4 Tier	350kg
S457x15185T54SS	457mm Deep x 1518mm Wide, 1370mm High	5 Tier	350kg
S457x15185T75SS	457mm Deep x 1518mm Wide, 1900mm High	5 Tier	350kg
S457x15185T86SS	457mm Deep x 1518mm Wide, 2185mm High	5 Tier	350kg
S1860SS	Additional shelf		
S457x18223T54SS	457mm Deep x 1822mm Wide, 1370mm High	3 Tier	350kg
S457x18223T75SS	457mm Deep x 1822mm Wide, 1900mm High	3 Tier	350kg
S457x18223T86SS	457mm Deep x 1822mm Wide, 2185mm High	3 Tier	350kg
S457x18224T54SS	457mm Deep x 1822mm Wide, 1370mm High	4 Tier	350kg
S457x18224T75SS	457mm Deep x 1822mm Wide, 1900mm High	4 Tier	350kg
S457x18224T86SS	457mm Deep x 1822mm Wide, 2185mm High	4 Tier	350kg
S457x18225T54SS	457mm Deep x 1822mm Wide, 1370mm High	5 Tier	350kg
S457x18225T75SS	457mm Deep x 1822mm Wide, 1900mm High	5 Tier	350kg
S457x18225T86SS	457mm Deep x 1822mm Wide, 2185mm High	5 Tier	350kg
S1872SS	Additional shelf		
S610x6033T54SS	610mm Deep x 603mm Wide, 1370mm High	3 Tier	350kg
S610x6033T75SS	610mm Deep x 603mm Wide, 1900mm High	3 Tier	350kg
S610x6033T86SS	610mm Deep x 603mm Wide, 2185mm High	3 Tier	350kg
S610x6034T54SS	610mm Deep x 603mm Wide, 1370mm High	4 Tier	350kg
S610x6034T75SS	610mm Deep x 603mm Wide, 1900mm High	4 Tier	350kg
S610x6034T86SS	610mm Deep x 603mm Wide, 2185mm High	4 Tier	350kg
S610x6035T54SS	610mm Deep x 603mm Wide, 1370mm High	5 Tier	350kg
S610x6035T75SS	610mm Deep x 603mm Wide, 1900mm High	5 Tier	350kg
S610x6035T86SS	610mm Deep x 603mm Wide, 2185mm High	5 Tier	350kg
S2424SS	Additional shelf		

SHELVING & SHELF BRACKETS

CRH 304 Grade Stainless Steel Shelving

Code	Size	Shelving Unit	Weight Rating per Shelf
S610x7553T54SS	610mm Deep x 755mm Wide, 1370mm High	3 Tier	350kg
S610x7553T75SS	610mm Deep x 755mm Wide, 1900mm High	3 Tier	350kg
S610x7553T86SS	610mm Deep x 755mm Wide, 2185mm High	3 Tier	350kg
S610x7554T54SS	610mm Deep x 755mm Wide, 1370mm High	4 Tier	350kg
S610x7554T75SS	610mm Deep x 755mm Wide, 1900mm High	4 Tier	350kg
S610x7554T86SS	610mm Deep x 755mm Wide, 2185mm High	4 Tier	350kg
S610x7555T54SS	610mm Deep x 755mm Wide, 1370mm High	5 Tier	350kg
S610x7555T75SS	610mm Deep x 755mm Wide, 1900mm High	5 Tier	350kg
S610x7555T86SS	610mm Deep x 755mm Wide, 2185mm High	5 Tier	350kg
S2430SS	Additional shelf		
S610x9083T54SS	610mm Deep x 908mm Wide, 1370mm High	3 Tier	350kg
S610x9083T75SS	610mm Deep x 908mm Wide, 1900mm High	3 Tier	350kg
S610x9083T86SS	610mm Deep x 908mm Wide, 2185mm High	3 Tier	350kg
S610x9084T54SS	610mm Deep x 908mm Wide, 1370mm High	4 Tier	350kg
S610x9084T75SS	610mm Deep x 908mm Wide, 1900mm High	4 Tier	350kg
S610x9084T86SS	610mm Deep x 908mm Wide, 2185mm High	4 Tier	350kg
S610x9085T54SS	610mm Deep x 908mm Wide, 1370mm High	5 Tier	350kg
S610x9085T75SS	610mm Deep x 908mm Wide, 1900mm High	5 Tier	350kg
S610x9085T86SS	610mm Deep x 908mm Wide, 2185mm High	5 Tier	350kg
S2436SS	Additional shelf		
S610x10603T54SS	610mm Deep x 1060mm Wide, 1370mm High	3 Tier	350kg
S610x10603T75SS	610mm Deep x 1060mm Wide, 1900mm High	3 Tier	350kg
S610x10603T86SS	610mm Deep x 1060mm Wide, 2185mm High	3 Tier	350kg
S610x10604T54SS	610mm Deep x 1060mm Wide, 1370mm High	4 Tier	350kg
S610x10604T75SS	610mm Deep x 1060mm Wide, 1900mm High	4 Tier	350kg
S610x10604T86SS	610mm Deep x 1060mm Wide, 2185mm High	4 Tier	350kg
S610x10605T54SS	610mm Deep x 1060mm Wide, 1370mm High	5 Tier	350kg
S610x10605T75SS	610mm Deep x 1060mm Wide, 1900mm High	5 Tier	350kg
S610x10605T86SS	610mm Deep x 1060mm Wide, 2185mm High	5 Tier	350kg
S2442SS	Additional shelf		
S610x12133T54SS	610mm Deep x 1213mm Wide, 1370mm High	3 Tier	350kg
S610x12133T75SS	610mm Deep x 1213mm Wide, 1900mm High	3 Tier	350kg
S610x12133T86SS	610mm Deep x 1213mm Wide, 2185mm High	3 Tier	350kg
S610x12134T54SS	610mm Deep x 1213mm Wide, 1370mm High	4 Tier	350kg
S610x12134T75SS	610mm Deep x 1213mm Wide, 1900mm High	4 Tier	350kg
S610x12134T86SS	610mm Deep x 1213mm Wide, 2185mm High	4 Tier	350kg
S610x12135T54SS	610mm Deep x 1213mm Wide, 1370mm High	5 Tier	350kg
S610x12135T75SS	610mm Deep x 1213mm Wide, 1900mm High	5 Tier	350kg
S610x12135T86SS	610mm Deep x 1213mm Wide, 2185mm High	5 Tier	350kg
S2448SS	Additional shelf		



SHELVING & SHELF BRACKETS
CRH 304 Grade Stainless Steel Shelving

Code	Size	Shelving Unit	Weight Rating per Shelf
S610x13653T54SS	610mm Deep x 1365mm Wide, 1370mm High	3 Tier	350kg
S610x13653T75SS	610mm Deep x 1365mm Wide, 1900mm High	3 Tier	350kg
S610x13653T86SS	610mm Deep x 1365mm Wide, 2185mm High	3 Tier	350kg
S610x13654T54SS	610mm Deep x 1365mm Wide, 1370mm High	4 Tier	350kg
S610x13654T75SS	610mm Deep x 1365mm Wide, 1900mm High	4 Tier	350kg
S610x13654T86SS	610mm Deep x 1365mm Wide, 2185mm High	4 Tier	350kg
S610x13655T54SS	610mm Deep x 1365mm Wide, 1370mm High	5 Tier	350kg
S610x13655T75SS	610mm Deep x 1365mm Wide, 1900mm High	5 Tier	350kg
S610x13655T86SS	610mm Deep x 1365mm Wide, 2185mm High	5 Tier	350kg
S2454SS	Additional shelf		
S610x15183T54SS	610mm Deep x 1518mm Wide, 1370mm High	3 Tier	350kg
S610x15183T75SS	610mm Deep x 1518mm Wide, 1900mm High	3 Tier	350kg
S610x15183T86SS	610mm Deep x 1518mm Wide, 2185mm High	3 Tier	350kg
S610x15184T54SS	610mm Deep x 1518mm Wide, 1370mm High	4 Tier	350kg
S610x15184T75SS	610mm Deep x 1518mm Wide, 1900mm High	4 Tier	350kg
S610x15184T86SS	610mm Deep x 1518mm Wide, 2185mm High	4 Tier	350kg
S610x15185T54SS	610mm Deep x 1518mm Wide, 1370mm High	5 Tier	350kg
S610x15185T75SS	610mm Deep x 1518mm Wide, 1900mm High	5 Tier	350kg
S610x15185T86SS	610mm Deep x 1518mm Wide, 2185mm High	5 Tier	350kg
S2460SS	Additional shelf		
S610x18223T54SS	610mm Deep x 1822mm Wide, 1370mm High	3 Tier	350kg
S610x18223T75SS	610mm Deep x 1822mm Wide, 1900mm High	3 Tier	350kg
S610x18223T86SS	610mm Deep x 1822mm Wide, 2185mm High	3 Tier	350kg
S610x18224T54SS	610mm Deep x 1822mm Wide, 1370mm High	4 Tier	350kg
S610x18224T75SS	610mm Deep x 1822mm Wide, 1900mm High	4 Tier	350kg
S610x18224T86SS	610mm Deep x 1822mm Wide, 2185mm High	4 Tier	350kg
S610x18225T54SS	610mm Deep x 1822mm Wide, 1370mm High	5 Tier	350kg
S610x18225T75SS	610mm Deep x 1822mm Wide, 1900mm High	5 Tier	350kg
S610x18225T86SS	610mm Deep x 1822mm Wide, 2185mm High	5 Tier	350kg
S2472SS	Additional shelf		
P54SS	Additional post 1370mm High		
P75SS	Additional post 1900mm high		
P86SS	Additional post 2185mm high		



A



B



C

	Code	Size
A	CBT-2	CRH Shelving wall mounted bracket - silver grey powder coat.
B	CT027	CRH Shelving 100mm polyurethane screw castor set. 2 castors with brakes, 2 castors without brakes
C	LH48	CRH Shelving price label holder - clear, 1200mm



A



C



B



D

	Code	Size
A	P01	CRH Shelving 'N' hook
B	P03	CRH Shelving post clamp
C	P05	CRH Shelving plastic post sleeves, pack of 8.
D	P08	CRH Shelving tri-leg adjustable bracket

SHELVING & SHELF BRACKETS

Atlas Food Service Plastic Mat Shelving



Size	Code	Shelving Unit	Weight Rating per Shelf
455mm x 760mm	PM18307EPL	4 Tier	200Kg
	PM18307EPL5	5 Tier	200Kg
	PM1830EPL	Additional Shelf	
455mm x 915mm	PM18367EPL	4 Tier	200Kg
	PM18367EPL5	5 Tier	200Kg
	PM1836EPL	Additional Shelf	
455mm x 1065mm	PM18427EPL	4 Tier	200Kg
	PM18427EPL5	5 Tier	250Kg
	PM1842EPL	Additional Shelf	
455mm x 1220mm	PM18487EPL	4 Tier	200Kg
	PM18487EPL5	5 Tier	200Kg
	PM1848EPL	Additional Shelf	
455mm x 1370mm	PM18547EPL	4 Tier	200Kg
	PM18547EPL5	5 Tier	200Kg
	PM1854EPL	Additional Shelf	
455mm x 1830mm	PM18727EPL	4 Tier	200Kg
	PM18727EPL5	5 Tier	200Kg
	PM1872EPL	Additional Shelf	
455mm x 1520mm	PM18607EPL	4 Tier	200Kg
	PM18607EPL5	5 Tier	200Kg
	PM1860EPL	Additional Shelf	
610mm x 760mm	PM24307EPL	4 Tier	200Kg
	PM24307EPL5	5 Tier	200Kg
	PM2430EPL	Additional Shelf	



SHELVING & SHELF BRACKETS

Atlas Food Service Plastic Mat Shelving



Size	Code	Shelving Unit	Weight Rating per Shelf
610mm x 915mm	PM24367EPL	4 Tier	200Kg
	PM24367EPL5	5 Tier	200Kg
	PM2436EPL	Additional Shelf	
610mm x 1065mm	PM24427EPL	4 Tier	200Kg
	PM24427EPL5	5 Tier	200Kg
	PM2442EPL	Additional Shelf	
610mm x 1220mm	PM24487EPL	4 Tier	200Kg
	PM24487EPL5	5 Tier	200Kg
	PM2448EPL	Additional Shelf	
610mm x 1370mm	PM24547EPL	4 Tier	200Kg
	PM24547EPL5	5 Tier	200Kg
	PM2454EPL	Additional Shelf	
610mm x 1520mm	PM24607EPL	4 Tier	200Kg
	PM24607EPL5	5 Tier	200Kg
	PM2460EPL	Additional Shelf	
610mm x 1830mm	PM24727EPL	4 Tier	200Kg
	PM24727EPL5	5 Tier	200Kg
	PM2472EPL	Additional Shelf	

10/19/M8	42	20/40/M8/60	33
10/25/M8	42	20/40/M10/35	33
10/25/M10	42	20/40/M10/60	33
10/25/M12	42	20/60/M12/65	33
10/25/M16	42	20/60/M16/65	33
10/30/M8	42	20/60/M16/150	33
10/30/M10	42	20/60/M20/100	33
10/30/M12	42	20/60/M20/165	33
10/30/M16	42	20/90/M12/65	33
10/32/M8	42	20/90/M16/65	33
10/32/M10	42	20/90/M16/150	33
10/32/M12	42	20/90/M20/100	33
10/32/M16	42	20/90/M20/165	33
10/35/M10	42	20/125/M12/65	33
10/35/M12	42	20/125/M16/65	33
10/35/M16	42	20/125/M20/100	33
10/38/M10	42	20/125/M20/165	33
10/38/M12	42	21/40/M6/40	34
10/38/M16	42	21/40/M8/80	34
10/40/M10	42	21/40/M10/60	34
10/40/M12	42	21/60/M12/65	34
10/40/M16	42	21/60/M12/165	34
10/51/M10	42	21/60/M16/65	34
10/51/M12	42	21/60/M16/165	34
10/51/M16	42	21/60/M20/100	34
11/19/M8	43	21/60/M20/165	34
11/25/M8	43	21/90/M12/65	34
11/25/M10	43	21/90/M16/65	34
11/25/M12	43	21/90/M16/165	34
11/25/M16	43	21/90/M20/100	34
11/30/M8	43	21/90/M20/165	34
11/30/M10	43	21/125/M12/65	34
11/30/M12	43	21/125/M16/65	34
11/30/M16	43	21/125/M16/165	34
11/32/M8	43	21/125/M20/100	34
11/32/M10	43	21/125/M20/165	34
11/32/M12	43	30/40/M8/35S	35
11/32/M16	43	30/40/M8/60S	35
11/35/M8	43	30/40/M10/35S	35
11/35/M10	43	30/40/M10/60S	35
11/35/M12	43	30/60/M12/65	35
11/35/M16	43	30/60/M16/65	35
11/38/M8	43	30/60/M16/150	35
11/38/M10	43	30/60/M20/100	35
11/38/M12	43	30/60/M20/165	35
11/38/M16	43	30/90/M12/65	35
11/40/M10	43	30/90/M16/65	35
11/40/M12	43	30/90/M16/150	35
11/40/M16	43	30/90/M20/100	35
11/51/M10	43	30/90/M20/165	35
11/51/M12	43	31/40/M8/80	36
11/51/M16	43	31/40/M10/60	36
11/51/M20	43	31/60/M12/65	36
20/40/M8/35	33	31/60/M16/65	36



31/60/M16/165	36	121/60/M20/90	40
31/60/M20/100	36	121/60/M20/190	40
31/60/M20/165	36	121/60/M24/90	40
31/90/M12/65	36	121/60/M24/190	40
31/90/M16/65	36	121/90/M12/90	40
31/90/M16/165	36	121/90/M12/190	40
31/90/M20/100	36	121/90/M16/90	40
31/90/M20/165	36	121/90/M16/190	40
40/40/M8/35	37	121/90/M20/90	40
40/40/M10/35	37	121/90/M20/190	40
40/40/M10/95	37	121/90/M24/90	40
40/60/M12/60	37	121/90/M24/190	40
40STD	18	121/125/M12/90	40
40STD	119	121/125/M16/90	40
41/22/M8/38	37	121/125/M16/190	40
41/40/M8/35	37	121/125/M20/90	40
41/40/M10/35	37	121/125/M20/190	40
41/60/M12/60	37	121/125/M24/90	40
50BWA	18	121/125/M24/190	40
50BWA	119	173.15.21.00	109
50PGR	19	545.24525.352	47
50PGR	119	545.24530.352	47
61-FSC	113	545.24535.352	47
61-FSH	113	545.24540.352	47
72-FS	20	545.24545.352	47
72-FS	116	545.24550.352	47
72-RK	20	545.24555.352	47
72-RK	116	545.24560.352	47
81/25/M8	44	1520CW	146
81/25/M10	44	2906SS	120
81/25/M12	44	03244 Mastic	137
81/32/M8	44	4270S	91
81/32/M10	44	4270S	159
81/32/M12	44	05016	58
81/32/M16	44	5040M	18
81/38/M10	44	05041	58
81/38/M12	44	05085	58
81/38/M16	44	05141	58
81/40/M8	44	05165	58
81/40/M10	44	05200	58
81/40/M12	44	05252	58
81/40/M16	44	7011	89
81/51/M12	44	7021	89
81/51/M16	44	7306L00004	57
81/62/M16	44	7306L00006	57
100SL	55	7306R00004	57
100SLB	55	7306R00006	57
121/40/M8/60	40	7315-301	54
121/40/M10/60	40	7315-302	54
121/40/M10/90	40	7318-4	73
121/60/M12/90	40	7318-5	73
121/60/M12/190	40	7318-6	73
121/60/M16/90	40	7318-7	73
121/60/M16/190	40	7318-9	73

7318-10	73	A3000-5836	131
7318-11	73	A3600-5858	131
7318-144	73	AH600-1500J	130
7800-OLP	115	AH-713N	64
30341	157	AH-714	61
37416	104	AH1200-2500J	130
37418	104	AH-1300	64
37418-1500	104	AH1500-3500J	130
37421	104	AH1800-4500J	130
46714	105	AH2100-4500J	130
46714	105	AH2700-4500J	130
46722	105	AO-1000	92
46726	105	ASKOB1	16
46726	105	ASKOB2	16
80149S	60	AV510	142
80249S	60	B600-10	132
368790	109	B750-15	132
368795	109	B900-18	132
712052	106	B1200-30	132
712052	112	B1500-36	132
404111320	125	B1850-58	132
404111420	125	B2100-1830	132
404111420 Cover	125	B2400-3030	132
1740000257	30	B2700-3036	132
1742000360	30	B3000-3636	132
7301035106	58	B3300-3658	132
7301035150	58	B3600-5858	132
7301040200	58	BITUTHENE 3000	144
7304000008	57	BOS1128C	136
7304000010	57	BOS1831	142
7314000301	53	CAS25M12R	97
7314000302	53	CAS32M12R	97
7600000500	56	CBT-2	176
7600000501	56	CD1915730	87
7600000502	56	CD1915952	87
7600000503	56	CD1916065	87
A10-0651	27	CDC2410CSST	88
A116	153	CDCSF2000SS	87
A154	153	CDC SS GASKKIT	88
A157	153	CDT4M	147
A222	153	CDT5M	147
A320	154	CDT6M	147
A320N	154	CDT8M	147
A320W	154	CDT10M	147
A470-15	131	CF001	123
A625-18	131	CF002	123
A930-30	131	CF004	123
A1230-36	131	CF006	123
A1530-58	131	CF007	123
A1700-58	131	COUNTER_GRATE	121
A1800-58	131	CRH01-25X12	24
A2100-3030	131	CRH02-32X12	24
A2400-3036	131	CRH02-32X16	24
A2700-3636	131	CRH03-38X12	24



CRH03-38X16	24	CSZ1050K	151
CRH05-25X	23	CT027	176
CRH05-25X-12	23	DBR – 1000	157
CRH06-32X	23	DBR – 1000RR	157
CRH06-32X-12	23	DBR – 1000RRSS	157
CRH07-38X	23	D Handle	68
CRH08-38DX	21	D Handle C	68
CRH08-50DLX	21	DO-102	69
CRH08-50DX	21	DO-103	69
CRH08-50DX12	21	Dowsil 580 Clear	139
CRH08-70X	21	Dowsil 580 Matt Black	139
CRH08PX	22	Dowsil 580 White	138
CRH08X	21	DP0640K	148
CRH09-70X	22	E16-4011A	117
CRH09X	22	E16-4031A	117
CRH10-50X	23	E18-1822	118
CRH40X	63	E222	68
CRH060-200	150	E389520	153
CRH060-300	150	EMCA10	130
CRH060-400	150	EMCA20	130
CRH062	152	F6350	93
CRH063	152	FB45-394X495SS	75
CRH064	152	FB45-495x495SS	75
CRH065	152	FH9118T8	122
CRH066	152	FH9136T8	122
CRH067-200	150	FH9236T8	122
CRH067-300	150	FISHER ADAPT	105
CRH067-400	150	FLOOR_GRATE	121
CRH-611	154	FULLER-HI-TEMP	136
CRH-612	154	GB4325	128
CRH1961X	65	GE ADAPT	105
CRH5710X	65	GF600IM	127
CRH5722X	65	GLASS CAP	72
CRH5723X	65	GLIDE	22
CRH6188LX	66	GT013140	51
CRH6188LXSS	66	GT013145	51
CRH6188NX	66	GT013150	51
CRH6188NXSS	66	GT013155	51
CRH-EMK	154	GT013160	51
CRH-ILB	129	GT013165	51
CRH-ILB	156	GT013170	51
CS400SS 202	50	GT013175	51
CS400ZP	47	H01-FSG Green	70
CS450SS 202	50	H01X	70
CS450ZP	47	H01X-FS Red & Green	70
CS500SS 202	50	H01X-FSR Red	70
CS500ZP	47	H02X	70
CS550SS 202	50	HDA221/90/M16/70	38
CS550ZP	47	HDA221/90/M16/170	38
CS600SS 202	50	HDA221/90/M20/70	38
CS650SS 202	50	HDA221/90/M20/170	38
CSD-10	155	HDA221/90M/24/70	38
CSD-12	155	HDA221/90M/24/170	38
CSDX	155	HDA221/125/M16/70	38

HDA221/125/M16/170	38	K458001200	20
HDA221/125/M20/70	38	K458001200	116
HDA221/125/M20/170	38	K460002410	118
HDA221/125/M24/70	38	K1815000010	126
HDA221/125/M24/170	38	K7314000401	53
HDA231/90/M16/70	39	K7504000102	93
HDA231/90/M16/170	39	K60310000005	91
HDA231/90/M20/70	39	K60310000005	161
HDA231/90/M20/170	39	K61652000258	27
HDA231/90M/24/70	39	KASONSIL	135
HDA231/90M/24/170	39	KF01	74
HDA231/125/M16/70	39	KF02	74
HDA231/125/M16/170	39	KF03	74
HDA231/125/M20/70	39	KF04	74
HDA231/125/M20/170	39	KF06	74
HDA231/125/M24/70	39	KF09	74
HDA231/125/M24/170	39	LH48	176
HW1015	114	LS125X	28
HW1215	114	LS150X	28
ICE403530	17	LS200X	28
IPDIPS161	129	LS250X	28
IPDIPS161	156	LTR25/M12	45
IT60W	128	LTR32/M10	45
ITS-MRS	156	LTR32/M12	45
K6B100000012	100	LTR38/M10	45
K26-00414	48	LTR38/M12	45
K26-00416	48	LTR51/M12	45
K26-00418	48	LTS19/M8	41
K26-00420	48	LTS25/M10	41
K26-00422	48	LTS25/M12	41
K26-00424	48	LTS32/M10	41
K26-00426	48	LTS32/M12	41
K0460-2290	117	LTS38/M10	41
K905-4	71	LTS38/M12	41
K905-31	71	LTS38/M16	41
K905-52	71	LTS40/M10	41
K1967-009	156	LTS40/M12	41
K1967-010	156	LTS51/M10	41
K03103	92	LTS51/M12	41
K03103	160	LTS51/M16	41
K03104	92	M10-1000Z	150
K03104	160	M12-1000Z	150
K7305-76	62	M1640	133
K7503-301	32	M1640A	133
K60451KL0009	112	M1641	133
K60451KL000960	112	M1642	133
K81204	67	M1643	133
K0520420	49	M1644	133
K0520422	49	MAGNET-D	52
K0520424	49	MAGNET-S	52
K0520426	49	MF50 Aluminium Grey Silicone	
K730704	57		138
K730706	57	MGAVAS0414DK	148
K760400	56	MGAVAS0414SMK	148



MGAVAS0516DK	148	P54P	170
MGAVAS0516SMK	148	P54SS	175
MGAVAS0619DK	148	P75P	170
MGAVAS0619SMK	148	P75SS	175
MPSS	29	P86P	170
MPSS	99	P86SS	175
MPZP	29	P780 X 1 1/2BL	31
MPZP	99	P780 X 1 1/4BL	31
MSA1075K	148	P780 X 1BL	31
MT4SS25	149	P780 X 2BLX	31
MT4ZP25	149	P2000BL	31
MT5SS25	149	PH1-50mm	158
MT5SS50	149	PH2-50mm	158
MT5ZP25	149	PH3-50mm	158
MT5ZP50	149	Pintle	101
MT6SS25	149	Pintle-10 3/4	101
MT6ZP25	149	Pintle-12 3/4	101
MT8SS30	149	PLI	29
MT8ZP30	149	PLIB	29
MTPZ0620K	149	PLI-LONG	29
MX3FG-300	145	PM1830EPL	178
MX6-30	145	PM1836EPL	178
MX6-250	145	PM1842EPL	178
N130C	140	PM1848EPL	178
N791-1x3/8	23	PM1854EPL	178
N791-11/2x3/8	23	PM1860EPL	178
N791-11/4x3/8	23	PM1872EPL	178
NECFL37BR-BHG	129	PM2430EPL	178
NM6BNW	154	PM2436EPL	179
NO24W G	89	PM2442EPL	179
NO24W R	89	PM2448EPL	179
OXIRA XG	127	PM2454EPL	179
P01	177	PM2460EPL	179
P03	177	PM2472EPL	179
P05	177	PM18307EPL	178
P5-25-10	101	PM18307EPL5	178
P5-25-12	101	PM18367EPL	178
P6-32-10	101	PM18367EPL5	178
P6-32-12	101	PM18427EPL	178
P08	177	PM18427EPL5	178
P11ZLHMSB-50	59	PM18487EPL	178
P11ZLHMSBK	59	PM18487EPL5	178
P11ZLHMSPIN-50	59	PM18547EPL	178
P11ZLHMSPINK	59	PM18547EPL5	178
P11ZLHSSPIN-50	59	PM18607EPL	178
P11ZLHSSPINK	59	PM18607EPL5	178
P11ZRHMSB-50	59	PM18727EPL	178
P11ZRHMSBK	59	PM18727EPL5	178
P11ZRHMSPIN-50	59	PM24307EPL	178
P11ZRHMSPINK	59	PM24307EPL5	178
P11ZRHSSPIN-50	59	PM24367EPL	179
P11ZRHSSPINK	59	PM24367EPL5	179
P12-LHS	59	PM24427EPL	179
P12-RHS	59	PM24427EPL5	179

PM24487EPL	179	S355x7554T86P	165
PM24487EPL5	179	S355x7555T54P	165
PM24547EPL	179	S355x7555T75P	165
PM24547EPL5	179	S355x7555T86P	165
PM24607EPL	179	S355x9083T54P	165
PM24607EPL5	179	S355x9083T75P	165
PM24727EPL	179	S355x9083T86P	165
PM24727EPL5	179	S355x9084T54P	165
PNBM16-30	153	S355x9084T75P	165
PW89/50	19	S355x9084T86P	165
PW89/50	119	S355x9085T54P	165
QIR240200J	130	S355x9085T75P	165
QIR240300J	130	S355x9085T86P	165
QIR240300J118	130	S355x10603T54P	165
QIR240500J	130	S355x10603T75P	165
QIR240500N	130	S355x10603T86P	165
R34MP	29	S355x10604T54P	165
R34MP	99	S355x10604T75P	165
R210-C5L-BR	90	S355x10604T86P	165
RB65	114	S355x10605T54P	165
RC02	154	S355x10605T75P	165
RH01-25X	26	S355x10605T86P	165
RH01-25XB	26	S355x12133T54P	165
RH02-32X	26	S355x12133T75P	165
RH02-32XB	26	S355x12133T86P	165
RH03-38X	26	S355x12134T54P	165
RH03-38XB	26	S355x12134T75P	165
RLS30/240	156	S355x12134T86P	165
S8GSS38	151	S355x12135T54P	165
S8GZP38	151	S355x12135T75P	165
S10GSS38	151	S355x12135T86P	165
S10GSS50	151	S355x13653T54P	166
S10GZP38	151	S355x13653T75P	166
S10GZP50	151	S355x13653T86P	166
S12GSS38	151	S355x13654T54P	166
S12GZP38	151	S355x13654T75P	166
S14GSS38	151	S355x13654T86P	166
S14GZP38	151	S355x13655T54P	166
S26-Y001	49	S355x13655T75P	166
S52-X001	49	S355x13655T86P	166
S355x6033T54P	164	S355x15183T54P	166
S355x6033T75P	164	S355x15183T75P	166
S355x6033T86P	164	S355x15183T86P	166
S355x6034T54P	164	S355x15184T54P	166
S355x6034T75P	164	S355x15184T75P	166
S355x6034T86P	164	S355x15184T86P	166
S355x6035T54P	164	S355x15185T54P	166
S355x6035T75P	164	S355x15185T75P	166
S355x6035T86P	164	S355x15185T86P	166
S355x7553T54P	165	S355x18223T54P	166
S355x7553T75P	165	S355x18223T75P	166
S355x7553T86P	165	S355x18223T86P	166
S355x7554T54P	165	S355x18224T54P	166
S355x7554T75P	165	S355x18224T75P	166



S355x18224T86P	166	S457x9085T75P	167
S355x18225T54P	166	S457x9085T75SS	172
S355x18225T86P	166	S457x9085T86P	167
S355x18255T75P	166	S457x9085T86SS	172
S457x6033T54P	166	S457x10603T54P	167
S457x6033T54SS	171	S457x10603T54SS	172
S457x6033T75P	166	S457x10603T75P	167
S457x6033T75SS	171	S457x10603T75SS	172
S457x6033T86P	166	S457x10603T86P	167
S457x6033T86SS	171	S457x10603T86SS	172
S457x6034T54P	166	S457x10604T54P	167
S457x6034T54SS	171	S457x10604T54SS	172
S457x6034T75P	166	S457x10604T75P	167
S457x6034T75SS	171	S457x10604T75SS	172
S457x6034T86P	166	S457x10604T86P	167
S457x6034T86SS	171	S457x10604T86SS	172
S457x6035T54P	166	S457x10605T54P	167
S457x6035T54SS	171	S457x10605T54SS	172
S457x6035T75P	166	S457x10605T75P	167
S457x6035T75SS	171	S457x10605T75SS	172
S457x6035T86P	166	S457x10605T86P	167
S457x6035T86SS	171	S457x10605T86SS	172
S457x7553T54P	167	S457x12133T54P	167
S457x7553T54SS	172	S457x12133T54SS	172
S457x7553T75P	167	S457x12133T75P	167
S457x7553T75SS	172	S457x12133T75SS	172
S457x7553T86P	167	S457x12133T86P	167
S457x7553T86SS	172	S457x12133T86SS	172
S457x7554T54P	167	S457x12134T54P	167
S457x7554T54SS	172	S457x12134T54SS	172
S457x7554T75P	167	S457x12134T75P	167
S457x7554T75SS	172	S457x12134T75SS	172
S457x7554T86P	167	S457x12134T86P	167
S457x7554T86SS	172	S457x12134T86SS	172
S457x7555T54P	167	S457x12135T54P	167
S457x7555T54SS	172	S457x12135T54SS	172
S457x7555T75P	167	S457x12135T75P	167
S457x7555T75SS	172	S457x12135T75SS	172
S457x7555T86P	167	S457x12135T86P	167
S457x7555T86SS	172	S457x12135T86SS	172
S457x9083T54P	167	S457x13653T54P	168
S457x9083T54SS	172	S457x13653T54SS	173
S457x9083T75P	167	S457x13653T75P	168
S457x9083T75SS	172	S457x13653T75SS	173
S457x9083T86P	167	S457x13653T86P	168
S457x9083T86SS	172	S457x13653T86SS	173
S457x9084T54P	167	S457x13654T54P	168
S457x9084T54SS	172	S457x13654T54SS	173
S457x9084T75P	167	S457x13654T75P	168
S457x9084T75SS	172	S457x13654T75SS	173
S457x9084T86P	167	S457x13654T86P	168
S457x9084T86SS	172	S457x13654T86SS	173
S457x9085T54P	167	S457x13655T54P	168
S457x9085T54SS	172	S457x13655T54SS	173

S457x13655T75P	168	S610x6035T75P	168
S457x13655T75SS	173	S610x6035T75SS	173
S457x13655T86P	168	S610x6035T86P	168
S457x13655T86SS	173	S610x6035T86SS	173
S457x15183T54P	168	S610x7553T54P	169
S457x15183T54SS	173	S610x7553T54SS	174
S457x15183T75P	168	S610x7553T75P	169
S457x15183T75SS	173	S610x7553T75SS	174
S457x15183T86P	168	S610x7553T86P	169
S457x15183T86SS	173	S610x7553T86SS	174
S457x15184T54P	168	S610x7554T54P	169
S457x15184T54SS	173	S610x7554T54SS	174
S457x15184T75P	168	S610x7554T75P	169
S457x15184T75SS	173	S610x7554T75SS	174
S457x15184T86P	168	S610x7554T86P	169
S457x15184T86SS	173	S610x7554T86SS	174
S457x15185T54P	168	S610x7555T54P	169
S457x15185T54SS	173	S610x7555T54SS	174
S457x15185T75P	168	S610x7555T75P	169
S457x15185T75SS	173	S610x7555T75SS	174
S457x15185T86P	168	S610x7555T86P	169
S457x15185T86SS	173	S610x7555T86SS	174
S457x18223T54P	168	S610x9083T54P	169
S457x18223T54SS	173	S610x9083T54SS	174
S457x18223T75P	168	S610x9083T75P	169
S457x18223T75SS	173	S610x9083T75SS	174
S457x18223T86P	168	S610x9083T86P	169
S457x18223T86SS	173	S610x9083T86SS	174
S457x18224T54P	168	S610x9084T54P	169
S457x18224T54SS	173	S610x9084T54SS	174
S457x18224T75P	168	S610x9084T75P	169
S457x18224T75SS	173	S610x9084T75SS	174
S457x18224T86P	168	S610x9084T86P	169
S457x18224T86SS	173	S610x9084T86SS	174
S457x18225T54P	168	S610x9085T54P	169
S457x18225T54SS	173	S610x9085T54SS	174
S457x18225T75P	168	S610x9085T75P	169
S457x18225T75SS	173	S610x9085T75SS	174
S457x18225T86P	168	S610x9085T86P	169
S457x18225T86SS	173	S610x9085T86SS	174
S610x6033T54P	168	S610x10603T54P	169
S610x6033T54SS	173	S610x10603T54SS	174
S610x6033T75P	168	S610x10603T75P	169
S610x6033T75SS	173	S610x10603T75SS	174
S610x6033T86P	168	S610x10603T86P	169
S610x6033T86SS	173	S610x10603T86SS	174
S610x6034T54P	168	S610x10604T54P	169
S610x6034T54SS	173	S610x10604T54SS	174
S610x6034T75P	168	S610x10604T75P	169
S610x6034T75SS	173	S610x10604T75SS	174
S610x6034T86P	168	S610x10604T86P	169
S610x6034T86SS	173	S610x10604T86SS	174
S610x6035T54P	168	S610x10605T54P	169
S610x6035T54SS	173	S610x10605T54SS	174



S610x10605T75P	169	S610x15185T75P	170
S610x10605T75SS	174	S610x15185T75SS	175
S610x10605T86P	169	S610x15185T86P	170
S610x10605T86SS	174	S610x15185T86SS	175
S610x12133T54P	169	S610x18223T54P	170
S610x12133T54SS	174	S610x18223T54SS	175
S610x12133T75P	169	S610x18223T75P	170
S610x12133T75SS	174	S610x18223T75SS	175
S610x12133T86P	169	S610x18223T86P	170
S610x12133T86SS	174	S610x18223T86SS	175
S610x12134T54P	169	S610x18224T54P	170
S610x12134T54SS	174	S610x18224T54SS	175
S610x12134T75P	169	S610x18224T75P	170
S610x12134T75SS	174	S610x18224T75SS	175
S610x12134T86P	169	S610x18224T86P	170
S610x12134T86SS	174	S610x18224T86SS	175
S610x12135T54P	169	S610x18225T54P	170
S610x12135T54SS	174	S610x18225T54SS	175
S610x12135T75P	169	S610x18225T75P	170
S610x12135T75SS	174	S610x18225T75SS	175
S610x12135T86P	169	S610x18225T86P	170
S610x12135T86SS	174	S610x18225T86SS	175
S610x13653T54P	170	S1424P	164
S610x13653T54SS	175	S1430P	165
S610x13653T75P	170	S1436P	165
S610x13653T75SS	175	S1442P	165
S610x13653T86P	170	S1448P	165
S610x13653T86SS	175	S1454P	166
S610x13654T54P	170	S1460P	166
S610x13654T54SS	175	S1472P	166
S610x13654T75P	170	S1824P	166
S610x13654T75SS	175	S1824SS	171
S610x13654T86P	170	S1830P	167
S610x13654T86SS	175	S1830SS	172
S610x13655T54P	170	S1836P	167
S610x13655T54SS	175	S1836SS	172
S610x13655T75P	170	S1842P	167
S610x13655T75SS	175	S1842SS	172
S610x13655T86P	170	S1848P	167
S610x13655T86SS	175	S1848SS	172
S610x15183T54P	170	S1854P	168
S610x15183T54SS	175	S1854SS	173
S610x15183T75P	170	S1860P	168
S610x15183T75SS	175	S1860SS	173
S610x15183T86P	170	S1872P	168
S610x15183T86SS	175	S1872SS	173
S610x15184T54P	170	S2424P	168
S610x15184T54SS	175	S2424SS	173
S610x15184T75P	170	S2430P	169
S610x15184T75SS	175	S2430SS	174
S610x15184T86P	170	S2436P	169
S610x15184T86SS	175	S2436SS	174
S610x15185T54P	170	S2442P	169
S610x15185T54SS	175	S2442SS	174

S2448P	169	SBF454030C	9
S2448SS	174	SBF454525C	9
S2454P	170	SBF454525F	10
S2454SS	175	SBF454530C	11
S2460P	170	SBF454530F	10
S2460SS	175	SBF504030C	11
S2472P	170	SBF504530F	11
S2472SS	175	SBF505030C	12
S2716	95	SBF505030F	12
S2716B	95	SBF554530C	13
S2718	95	SBF554530F	13
S2718B	95	SBF555030F	14
S2720	95	SBF604530F	14
S2720B	95	SBF605030F	15
S2722	95	SBF805030F	15
S2722B	95	SCK	162
S3080	96	SCLK	162
S3080B	96	SF-200L	124
S3106	96	SFE-10CS	134
S3106B	96	SFE-15	134
S3298	98	SFE-18	134
S3298B	98	SFE-30	134
S3304	96	SFE-36	134
S3304B	96	SKZ-002	150
S3326	96	SKZ-003	152
S3326B	96	SKZ-004	152
S3390	97	SKZ-005	152
S3390B	97	SKZ-006	153
S4080	98	SS400-10	115
S4080B	98	SS460-12	115
S4485	98	SSA1	163
S4485B	98	SSA2	163
S4488	97	SSA3	163
S4488B	97	SSA4	163
S4490	97	SSA5	163
S4490B	97	SSA6	163
S5585	98	SSD-445435IF	46
S5585B	98	SSD-445435OF	46
SBF302520C	2	SSP-1/1 20	76
SBF303020C	2	SSP-1/1 20P	76
SBF303025C	3	SSP-1/1 65	77
SBF353020C	3	SSP-1/1 65P	77
SBF353030C	4	SSP-1/1 100	78
SBF353520C	4	SSP-1/1 100P	78
SBF353525C	4	SSP-1/1 150	79
SBF403020C	5	SSP-1/1 150P	79
SBF403025C	5	SSP-1/1 COVER	79
SBF403030C	6	SSP-1/2 65	81
SBF403520C	6	SSP-1/2 65P	81
SBF403530C	7	SSP-1/2 100	81
SBF404025C	7	SSP-1/2 100P	79
SBF404030C	8	SSP-1/2 150	82
SBF453030C	8	SSP-1/2 150P	79
SBF453530C	9	SSP-1/2 COVER	82



SSP-1/3 65	83	TO-59-32	32
SSP-1/3 100	83	TO-106	69
SSP-1/3 150	83	TO-106R	69
SSP-1/3 COVER	83	TO-108PG	26
SSP-1/4 65	84	TO-173L	50
SSP-1/4 100	84	TO-173N	50
SSP-1/4 150	84	TO-9100-18	50
SSP-1/4 COVER	84	TO-9100-20	50
SSP-1/6 65	85	TP08045	107
SSP-1/6 100	85	TP08045K	107
SSP-1/6 150	85	TR2-540168	90
SSP-1/6 COVER	85	TZ-FL20SB	111
SSP-1/9 65	86	TZ-FL20SM	111
SSP-1/9 100	86	WSZ103834K	152
SSP-1/9 COVER	86		
SSP-2/3 65	80		
SSP-2/3 100	80		
SSP-2/3 150	80		
SSP-2/3 COVER	80		
STCSS612K	151		
STCZ14134K	151		
STPSS616K	151		
STPSS634K	151		
STPZ142K	151		
STPZ1034K	151		
T17H3141075K	151		
T599B	105		
T1024673	94		
TAC103	143		
TAC230R20	141		
TAC230R200	141		
TB-120	152		
TB-230	152		
TB-NM8	152		
TC25RND	31		
TC32RND	31		
TC38RND	31		
TF17-J	103		
TF84RK	106		
TF87	113		
TF100HJP	102		
TF100HJS	102		
TKN10	153		
TM-BASCP	110		
TM-BASCPD	110		
TM-SHWDVCP	108		
TM-SHWDVCPD	108		
TM-SNKCP	110		
TO-25FL	25		
TO-25X	25		
TO-32FL	25		
TO-32X	25		
TO-38X	25		
TO-59-25	32		